

QUICK FITTINGS Standard Type and Mini Type

● Wide range of shapes and sizes can precisely fit your application; from small, to mid-range, to large jobs.

● One-touch connections are speedy.

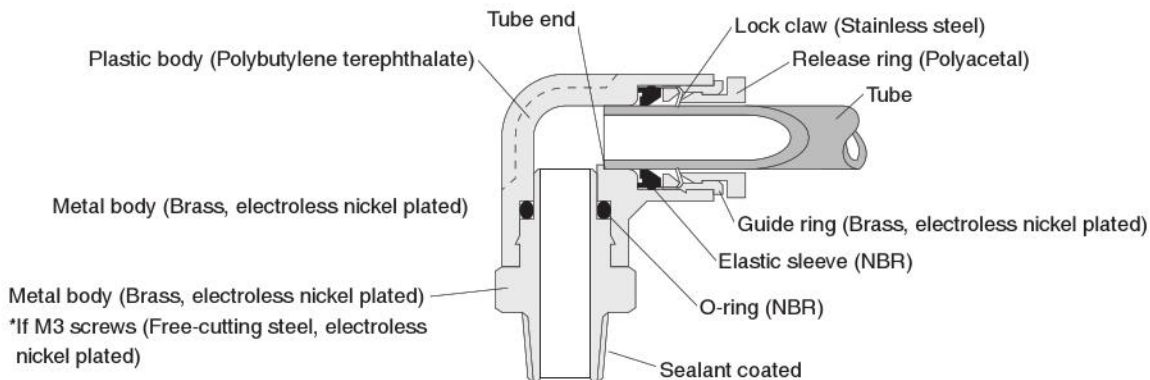
Specifications

Item	Applicable tube size	ϕ 1.8 [0.071], ϕ 3 [0.118]	ϕ 4 [0.157], ϕ 6 [0.236], ϕ 8 [0.315], ϕ 10 [0.394], ϕ 12 [0.472], ϕ 16 [0.630]
Media		Air	
Maximum operating pressure		0.9 MPa [131 psi]	
Operating vacuum pressure		-100 kPa [-29.5 inHg]	
Operating temperature range		0~60°C [32~140°F]	
Recommended tube ^{Note}		Urethane tube	Urethane tube, nylon tube
Sales unit		1 pack (10 pcs.) [ϕ 16 [0.630]] 1 pack (5 pcs.)	

Remarks: Gasket or seal is already attached.

Note: Use Koganei tubes. Use tubes that have an outer diameter precision that is within a nominal diameter of ± 0.1 mm [0.004 in]. Also, note that you cannot use the conductive urethane tube **U2A-B** produced by Koganei.

Inner Construction, Major Parts and Materials



[For ϕ 1.8 [0.071] tubes]

