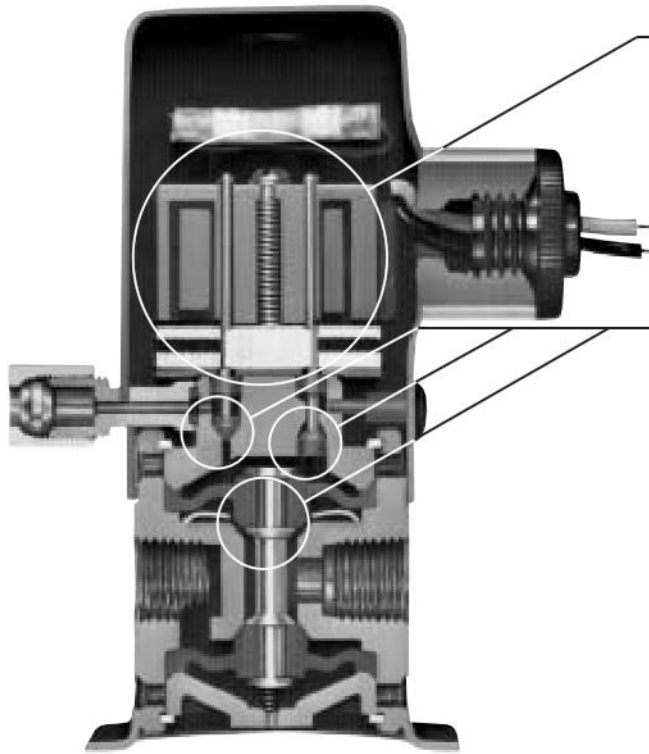


Seven Features of the Koganei Vacuum Valve



Koganei Original Solenoid Construction

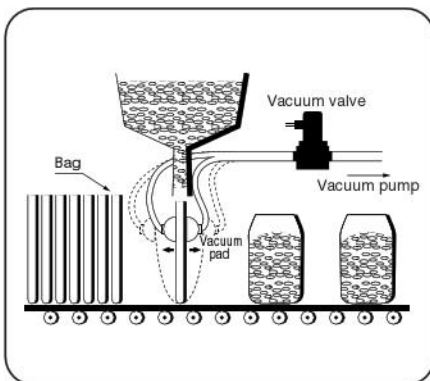
- ① **No burning damage to solenoid**
No need to stock solenoids as spare parts.
- ② **Starting and energizing current values are extremely small.**
Allows for more compact size peripheral electrical equipment.

Poppet and Diaphragm Construction

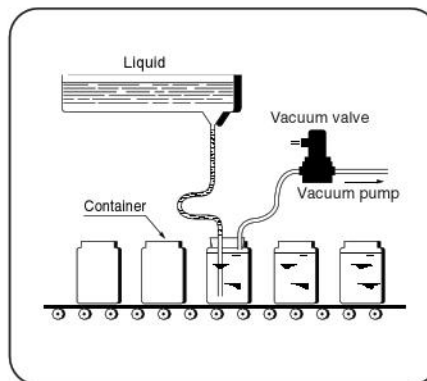
- ③ **No sliding parts**
No valve sticking, for reliable operations.
- ④ **Extremely few cases of vacuum leakage**
Good vacuum response enables excellent pick-up by a vacuum pad and compact vacuum pump to install.
- ⑤ **Dust-resistant**
Can be used by installing just an ordinary air filter, even in dusty locations.
- ⑥ **Can be used without lubrication.**
Optimum valve for equipment incapable of using oil.
- ⑦ **Compact and lightweight, with any mounting direction acceptable**
Can be easily mounted to control panel, and allows for more compact equipment.

Application Examples

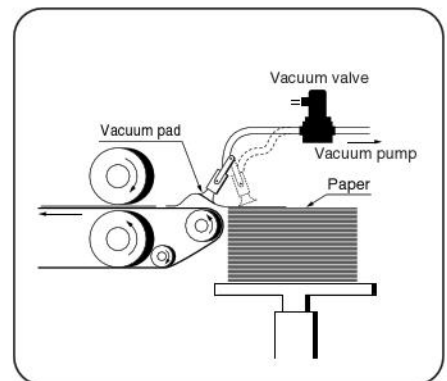
Opening bags



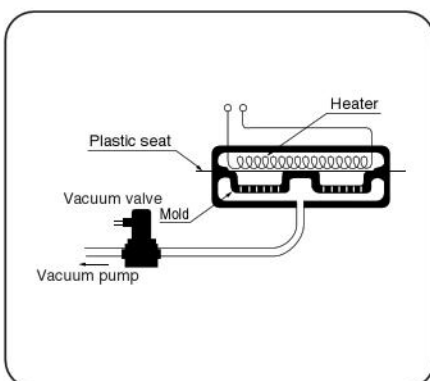
Quick charging of liquids



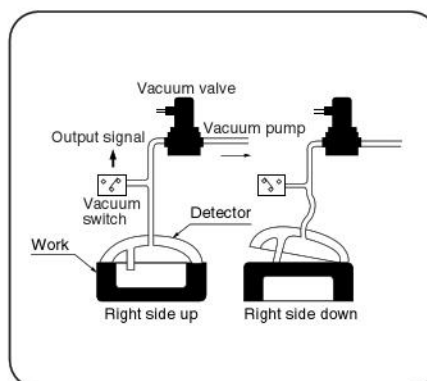
Paper feeding for printers



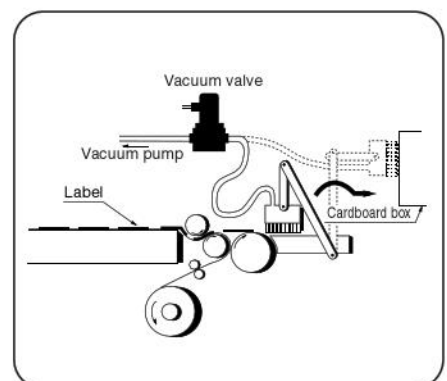
Vacuum forming machines

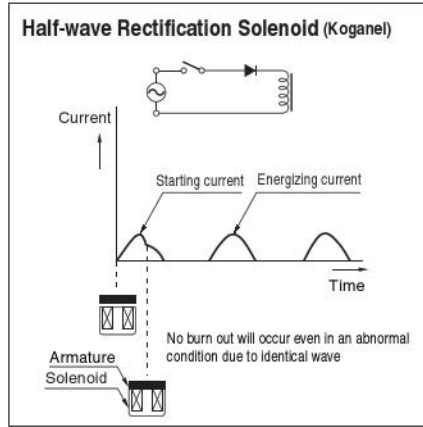
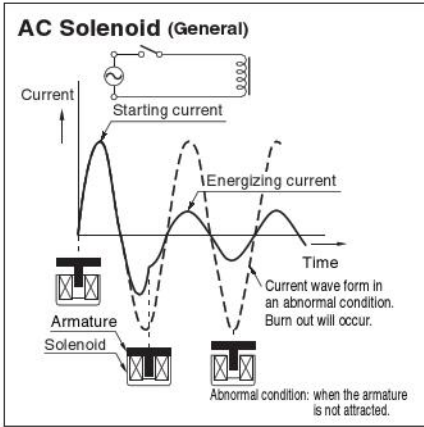


Discriminating product facing



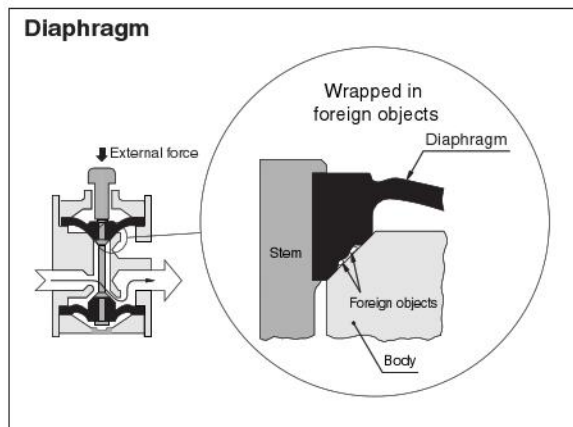
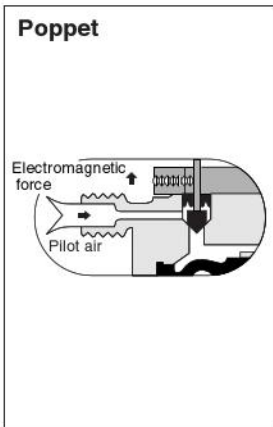
Labeling on cardboard boxes





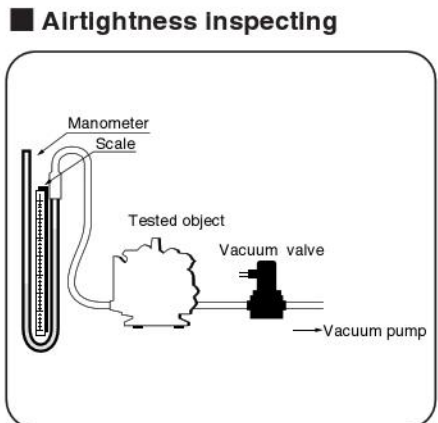
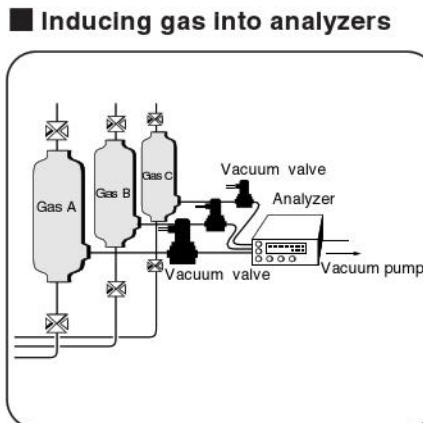
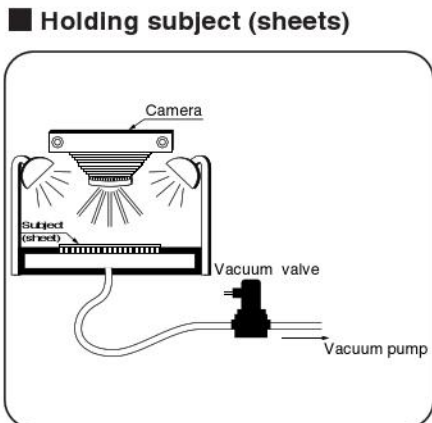
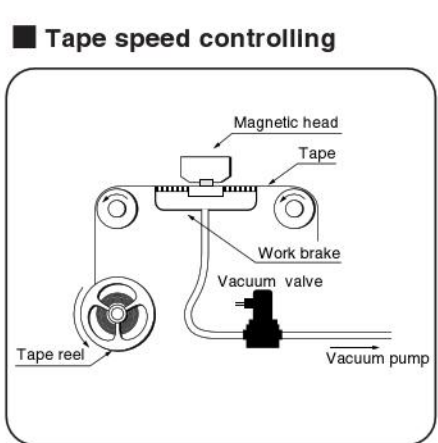
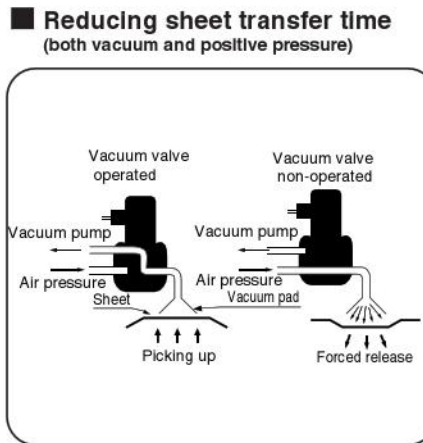
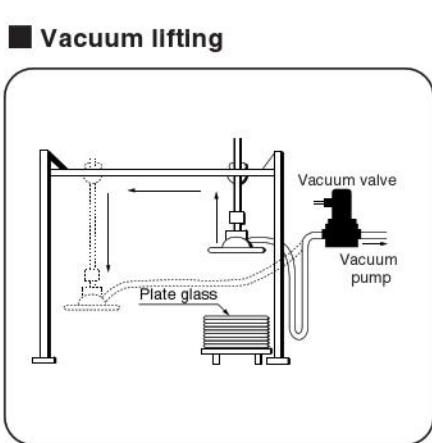
Koganel's ingenious self-developed solenoid

A silicon diode is installed on the end of the solenoid for half-wave rectification of the alternating current. The solenoid, therefore, possesses midway characteristics between the AC solenoid and DC solenoid. In addition, since the armature is designed to move as short a distance as possible, the starting current (inrush current) and energizing current are virtually identical and low current. As a result, the solenoid is not damaged even in abnormal conditions in which the armature fails to move, and the capacity of related electrical equipment can remain low.





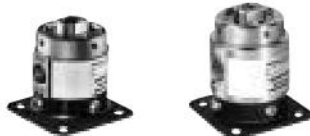


Poppet and diaphragm construction

The synthetic rubber poppet and diaphragm are built into the stem and move as one-piece. The poppet and diaphragm do not have any sliding surfaces, therefore no sticking occurs even without lubrication. In addition, the units have the elasticity of synthetic rubber to wrap in small foreign objects and keep vacuum leaks to an extremely low level.



<Product Range>

Products	Shape	Operation type	Port size Rc	Port	Function	Effective area (Cv) mm ²	Model	Page						
Solenoid vacuum valve		Single solenoid	Direct acting	1/4	2, 3	●NC ●NO	V062E1	961						
							SV062E1 (Both vacuum and pressure type)							
							V126E1							
			Indirect acting { External air pilot }	3/8	3	15 (0.76)	VA250AE1							
							VA2503AE1							
							VA500AE1							
		Indirect acting { External vacuum pilot }	1/4	3	55 (2.7)	VV250AE1								
						VV2503AE1								
						VV500AE1								
		Double solenoid (Continuously energizing type)	Indirect acting { External air pilot }	1/4	3	●NC/ NO	VA250AE2	964						
							VA2503AE2							
							VA500AE2							
Manual vacuum valve and foot vacuum valve		Push button	Spring return	1/8	3	●NC	V125P	970						
							With holding mechanism		1/4	2, 3	V250P			
									3/8		V2503P			
		Lever	Holding type	1/8	3	●NC/ NO	V125HO							
							1/4		V125V					
							3/8		V2503V					
				Foot	Pedal type	1/4	2, 3		●NC	V250-4H				
										5	V2503-4H			
										15 (0.76)	V250F			
		Mechanical operated vacuum valve		Ball-cam	1/8	3	●NC		V125B	973				
									Roller-cam		Nylon roller	1/4	2, 3	V250B
												3/8		V2503B
Steel roller	1/4			3	V250C									
	3/8				V2503C									
One way steel roller	1/8			3	●NC	5.5 (0.27)	V125MC							
						V125MOC								
Piloted vacuum valve		Air pilot (single)	1/8	3	●NC	5.5 (0.27)	VA125A	976						
						Vacuum pilot (single)	1/4		15 (0.76)	VA250A				
										3/8	VA2503A			
		1/2	VA500A											
		Double air pilot	1/4	2, 3	●NC/ NO	15 (0.76)	250A2							
						3/8	2503A2							
	1/2					500A2								
		Double air pilot	1/4	2, 3	●NC/ NO	55 (2.7)	750A2	979						
						3/4	1000A2							
						1								

Safety Precautions (Solenoid Vacuum Valve Series)



Warnings

1. When mounting a valve inside a control panel or when an operation requires long energizing periods, provide heat radiation measures to ensure that the ambient temperature always remains within the temperature range specifications. For long term continuous energizing, consult us.
2. Always check the Catalog, etc., when carrying out wiring and piping of products to ensure that the connections are correctly done. Wrong wiring or piping could result in abnormal operation to the actuator, etc.
3. The solenoid valve's silicon diode could be damaged by surge voltage when a large induction load is used on the same power supply. Either change to a separate power supply, or mount a surge absorber to protect the unit. Solenoids with surge suppression are also available. Consult us.



Caution

For locations subject to water or to large amounts of dust, use a cover, etc., to protect the valves. Also, install a muffler, etc., to the R port to prevent dust from entering. Intrusion of water or dust could result in short-term functional shutdowns, sudden drops in performance, or a reduced operating life.



Attention

1. Use clean air that does not contain degraded compressor oil, etc., and install a filter, etc., close to solenoid valves to remove dust or collected liquid.
2. Ensure that the piping port on the supply side is at the same area or larger than the solenoid valve's effective area.
3. When using an indirect acting valve, use a stop valve between it and the pressure source. When the stop valve is opened before the pressure reaches the minimum operating pressure, the indirect acting valve could fall into a neutral position. (All solenoid valves in the 250 series and up are indirect acting valves.)
4. When connecting 2 or more AC type solenoid valves to the same power supply, connect leads with the same lead wire color.
5. Since a diode is connected to the AC type solenoid valve, the solenoid may sometimes not turn on with the solid state-type relay (SSR) with zero-cross function. For this reason, pay attention before use to the ratings and precautions for use of the solid state-type relay.

Voltage Types and Current

Rated voltage V	Current A ^{Note}		
	50Hz	60Hz	
AC	230 [※]	0.063	0.055
	220 [※]	0.058	0.072
	200	0.070	0.065
	115 [※]	0.13	0.11
	110 [※]	0.12	0.16
	100	0.14	0.13
	48 [※]	0.41	0.37
	24 [※]	0.93	0.83

Note: The starting current and energizing current values are virtually identical, and fall within these values.

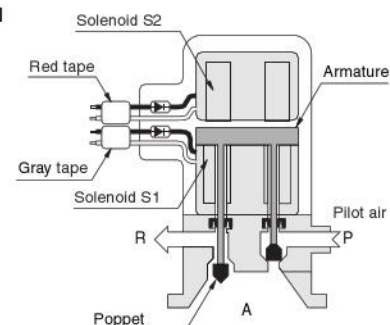
Rated voltage V	Current A	
DC	200 [※]	0.04
	110 [※]	0.08
	100 [※]	0.09
	48 [※]	0.19
	24	0.40
	12 [※]	0.75
	6 [※]	1.50

For ※ items, consult us for the delivery.

Wiring Instructions of Double Solenoid (E2) Type

This valve has 2 solenoids built into the top and mid section, and the lead wires are color-coded with vinyl tape. Energizing the red tape side (the upper side, solenoid S2) opens the valve, and energizing the gray tape side (the lower side, solenoid S1) closes the valve. This solenoid is a continuous energizing holding type.

Solenoid S1 energized



Piloted Vacuum Valves

Single Pilot Type



Specifications

Item	Basic model	VA125A	VA250A	VA2503A	VA500A	VV250A	VV2503A	VV500A
Media		Vacuum						
Operation type		Air pilot				Vacuum pilot		
Number of ports		3 ports (Cannot be used as 2-port and normally open (NO) in terms of construction)						
Valve function		Normally closed (NC)						
Effective area [Cv]	mm ²	5.5 [0.27]	15 [0.76]		55 [2.7]	15 [0.76]		55 [2.7]
Port size	Rc	1/8	1/4	3/8	1/2	1/4	3/8	1/2
Lubrication		Not required						
Operating pressure range	kPa (mmHg) [in.Hg]	0~-100 {0~-750} [0~-29.53]				-51~-100 {-380~-750} [-14.96~-29.53]		
External pilot pressure		Recommended air pressure 0.2~0.3MPa [29~44psi.] MAX. 0.7MPa [102psi.]			Recommended air pressure 0.2~0.3MPa [29~44psi.] MAX. 0.5MPa [73psi.]	Vacuum -51~-100MPa {-380~-750 (mmHg)} [-14.96~-29.53in.Hg]		
Operating temperature range	°C [°F]	5~60 [41~140]						
Mounting direction		Any						
Mass	kg [lb.]	0.08 [0.18]	0.17 [0.37]	0.22 [0.49]	0.45 [0.99]	0.17 [0.37]	0.2 [0.44]	0.45 [0.99]

Order Codes

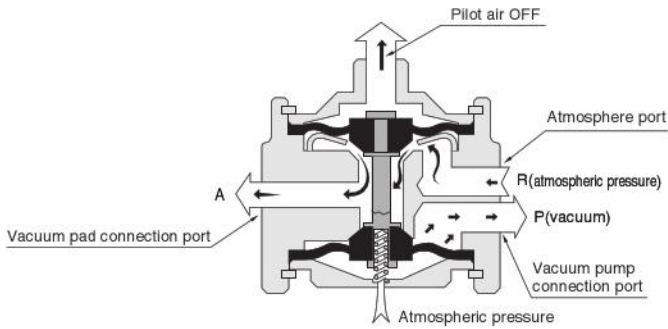
		Basic model	Option
			Mounting type With lock nuts for panel mounting
Air pilot	3-port	VA125A	-22
	3-port	VA250A	
	3-port	VA2503A	
	3-port	VA500A	
Vacuum pilot	3-port	VV250A	
	3-port	VV2503A	
	3-port	VV500A	

●Blank: Base mounting type

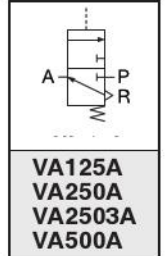
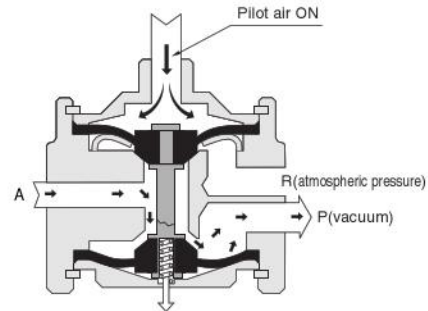
Operating Principles and Symbols

VA500A

Normal condition

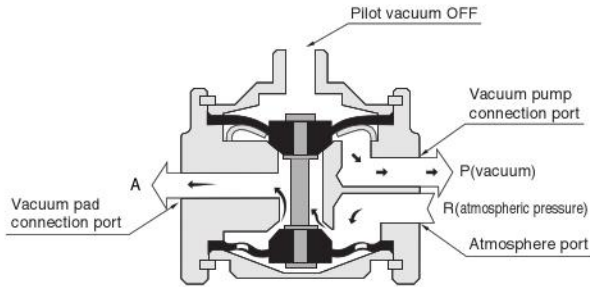


Operating condition

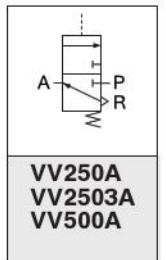
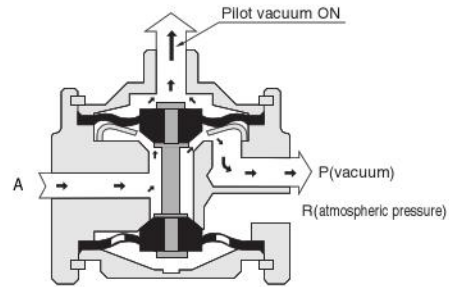


VV500A

Normal condition

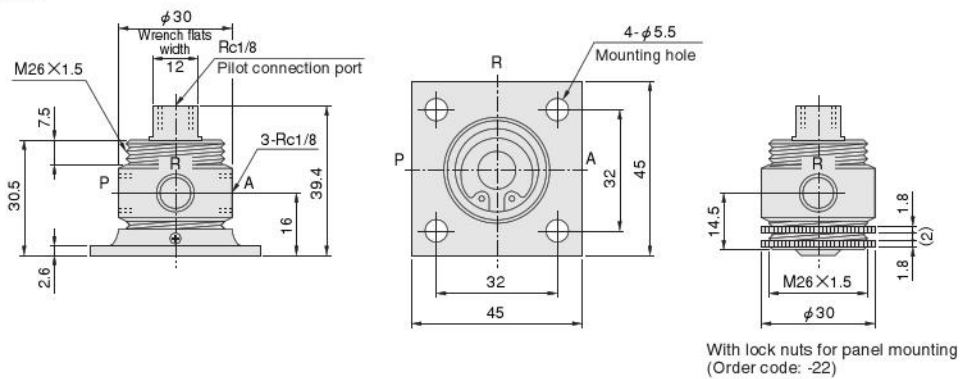


Operating condition



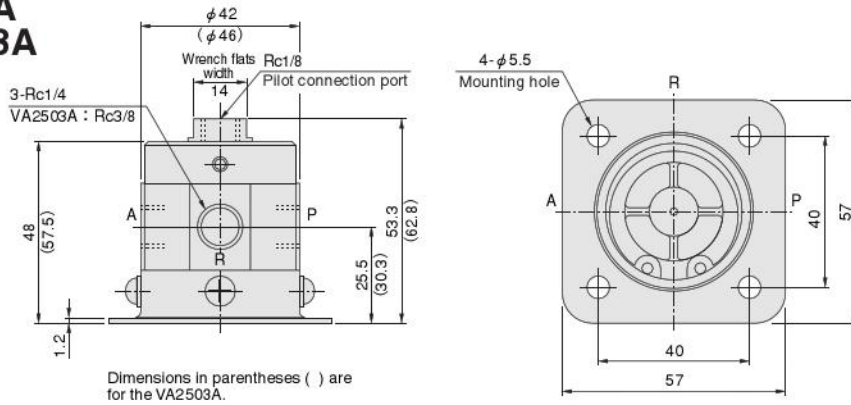
Dimensions (mm)

VA125A

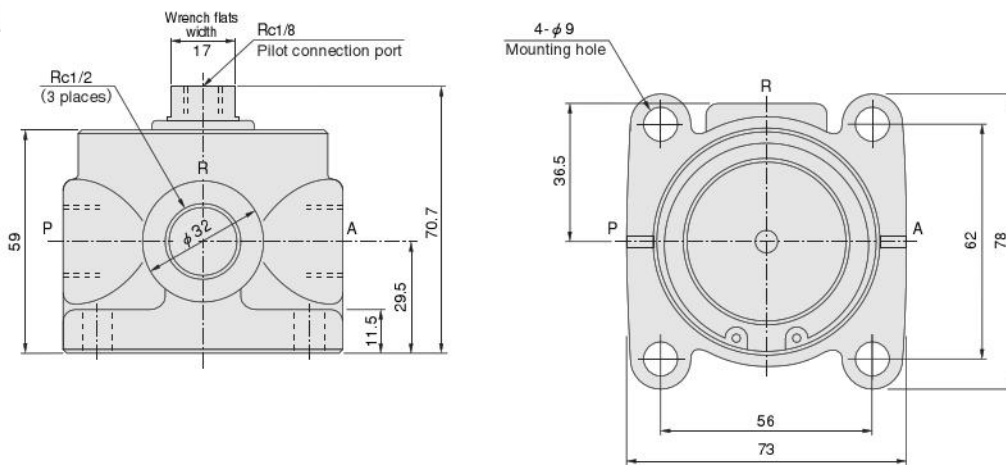


Dimensions (mm)

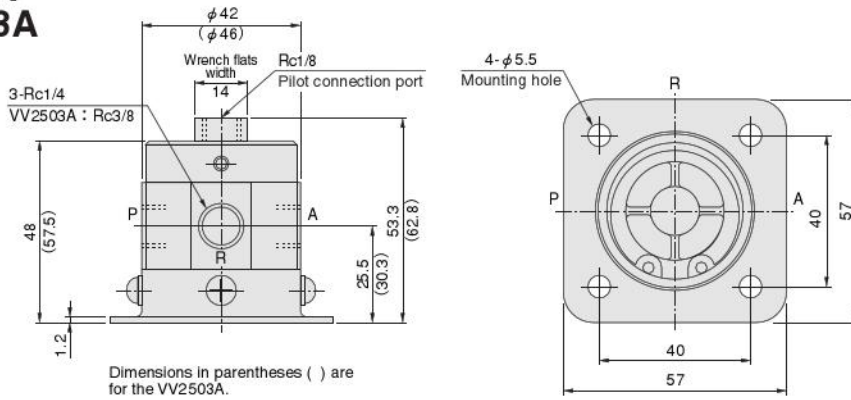
**VA250A
VA2503A**



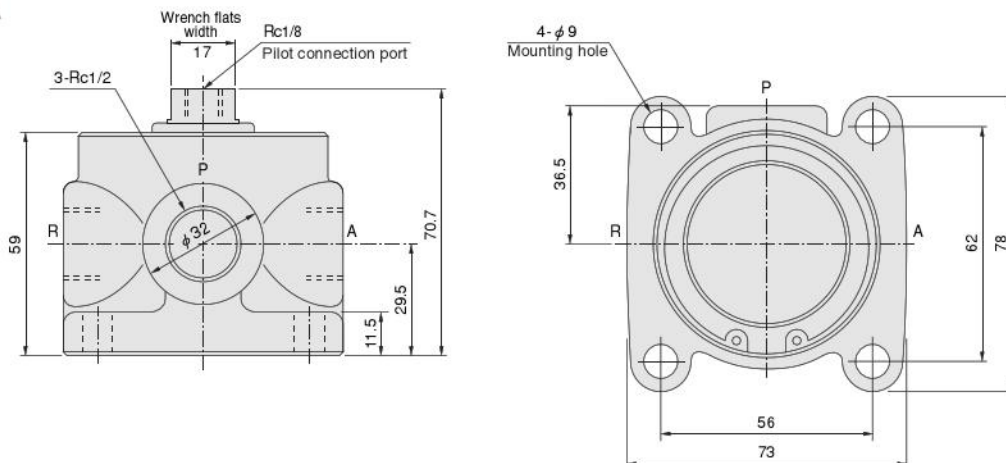
VA500A



**VV250A
VV2503A**



VV500A



Reference

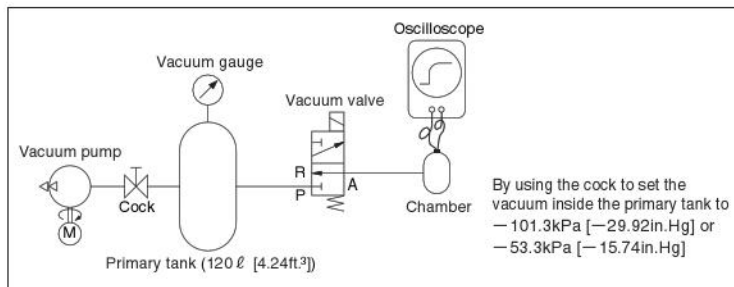
Vacuum Valve Selection Table (Exhaust and Air Supply Response Times)

S

Vacuum kPa [in.Hg]	50cc [3.05in. ³] chamber				200cc [12.2in. ³] chamber				1 l [61in. ³] chamber				3 l [183in. ³] chamber				5.5 l [336in. ³] chamber				10.5 l [641in. ³] chamber							
	Exhaust ^{*)}		Air supply		Exhaust		Air supply		Exhaust		Air supply		Exhaust		Air supply		Exhaust		Air supply		Exhaust		Air supply					
	0	0	-81.3 [-24.01]	-42.6 [-12.58]	0	0	-81.3 [-24.01]	-42.6 [-12.58]	0	0	-81.3 [-24.01]	-42.6 [-12.58]	0	0	-81.3 [-24.01]	-42.6 [-12.58]	0	0	-81.3 [-24.01]	-42.6 [-12.58]	0	0	-81.3 [-24.01]	-42.6 [-12.58]	0	0	-81.3 [-24.01]	-42.6 [-12.58]
Model	-81.3 [-24.01]	-42.6 [-12.58]	0	0	-81.3 [-24.01]	-42.6 [-12.58]	0	0	-81.3 [-24.01]	-42.6 [-12.58]	0	0	-81.3 [-24.01]	-42.6 [-12.58]	0	0	-81.3 [-24.01]	-42.6 [-12.58]	0	0	-81.3 [-24.01]	-42.6 [-12.58]	0	0	-81.3 [-24.01]	-42.6 [-12.58]	0	0
V062E1	0.2	0.08	0.18	0.1	0.7	0.35	0.5	0.38	3.0	1.5	2.5	1.8	9.0	3.2	6.0	4.0	20.0	8.0	14.0	10.0								
V126E1	0.12	0.05	—	—	0.4	0.2	—	—	1.8	0.9	—	—	5.0	1.7	—	—	11.0	3.5	—	—								
VA125A	0.1	0.06	0.13	0.12	0.35	0.15	0.3	0.2	1.6	0.7	1.3	0.8	3.8	1.4	2.6	1.8	9.0	3.4	6.0	4.0								
VA250AE1	0.05	0.03	0.09	0.04	0.1	0.05	0.08	0.07	0.5	0.23	0.16	0.18	1.1	0.4	0.7	1.0	2.4	1.0	1.7	1.0								
VA500AE1	0.04	0.03	0.14	0.14	0.07	0.05	0.14	0.14	0.25	0.1	0.15	0.18	0.5	0.2	0.4	0.3	1.1	0.4	0.6	0.5	2.0	0.8	1.0	0.8				
1000A2	—																0.26	0.14	0.26	0.2	0.4	0.2	0.4	0.3				

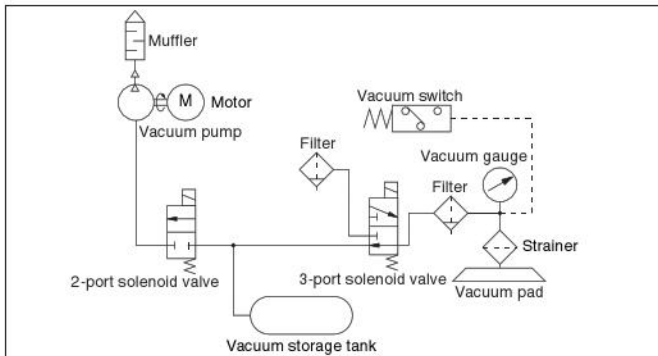
Note: The exhaust vacuum in the chamber is a 80% rating value of the vacuum inside of the primary tank.

The above table shows the time it takes from the point in time where the vacuum valve is switched ON to reach the specified vacuum inside of the chamber, and the time from switching the vacuum valve OFF to supply air into the chamber.



By using the cock to set the vacuum inside the primary tank to -101.3kPa [-29.92in.Hg] or -53.3kPa [-15.74in.Hg]

Standard Vacuum Circuit



Inspection Standard for Vacuum Leaks (Koganei standards)

Inspection procedure

Open valve A, and set the vacuum in the tank to -100kPa [-750mmHg] [-29.53in.Hg]. Afterward, close valve A, let set for 10 minutes, and then check the vacuum inside of the tank both during OFF and ON.

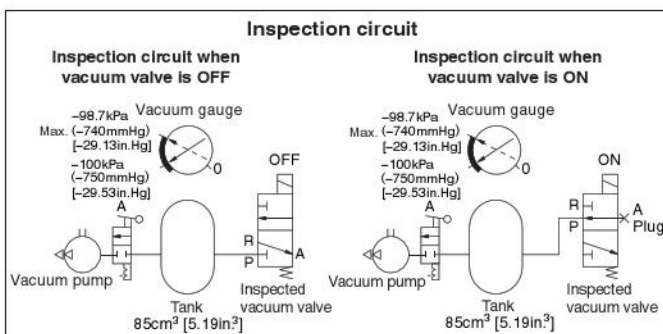
Inspection standard

Let set for 10 minutes, then check to see that the vacuum leaks inside the tank meets the standard of 1.3kPa (10mmHg) [0.38in.Hg] or less.

For details, consult us.

Remark

In fact, most Koganei vacuum valves can hold initial vacuum even after being left set for 10 minutes.



Calculation of Picking-up Force, and Graph (Theoretical values)

When using a vacuum pad to hold picking-up an object, the picking-up force is shown by the following formula.

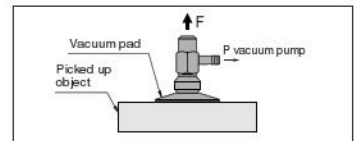
$$W = P \times A \times 0.1$$

W: Picking-up force (N)
P: Vacuum (kPa)
A: Pad area (cm²)

<Conventional units>

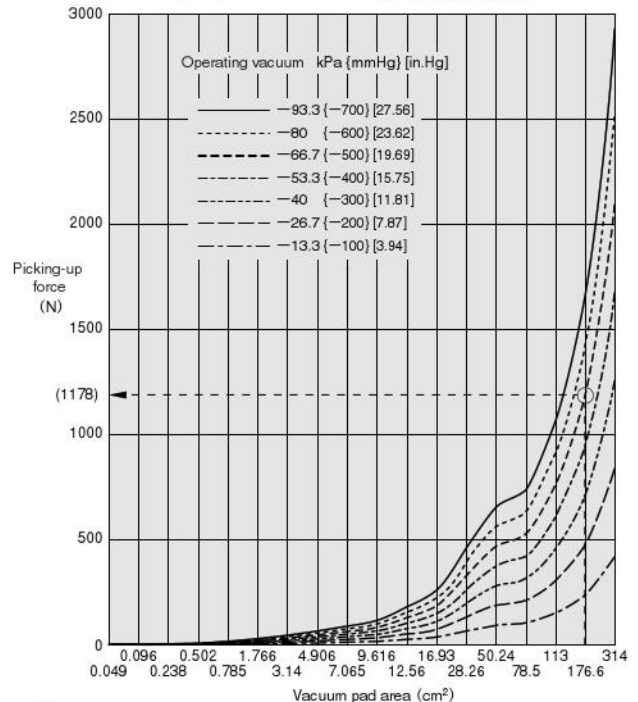
$$W' = \frac{P'}{760} \times 1.033 \times A'$$

W': Picking-up force (kgf)
P': Vacuum (mmHg)
A': Pad area (cm²)



$$W'' = \frac{P''}{29.92} \times 14.7 \times A''$$

W'': Picking-up force [lbf.]
P'': Vacuum [in.Hg]
A'': Pad area [in.²]

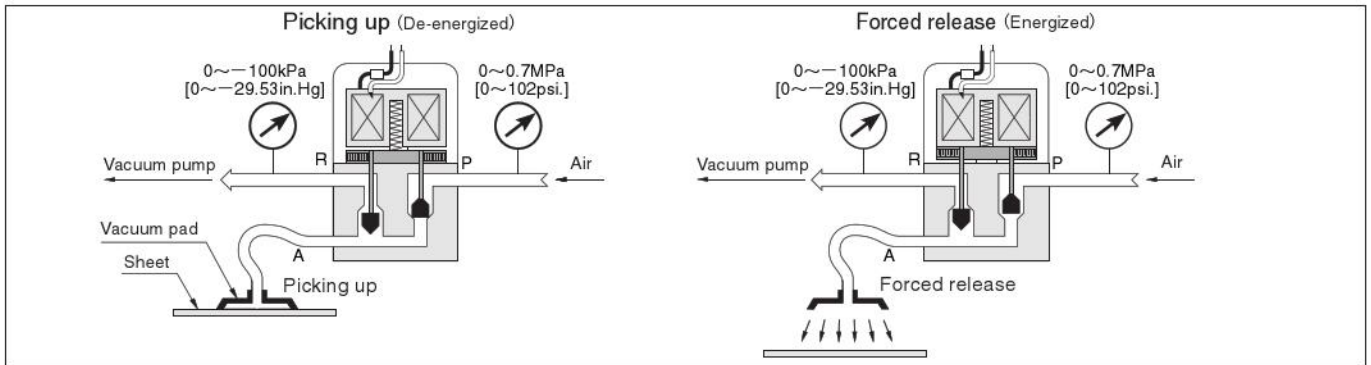


How to read the graph

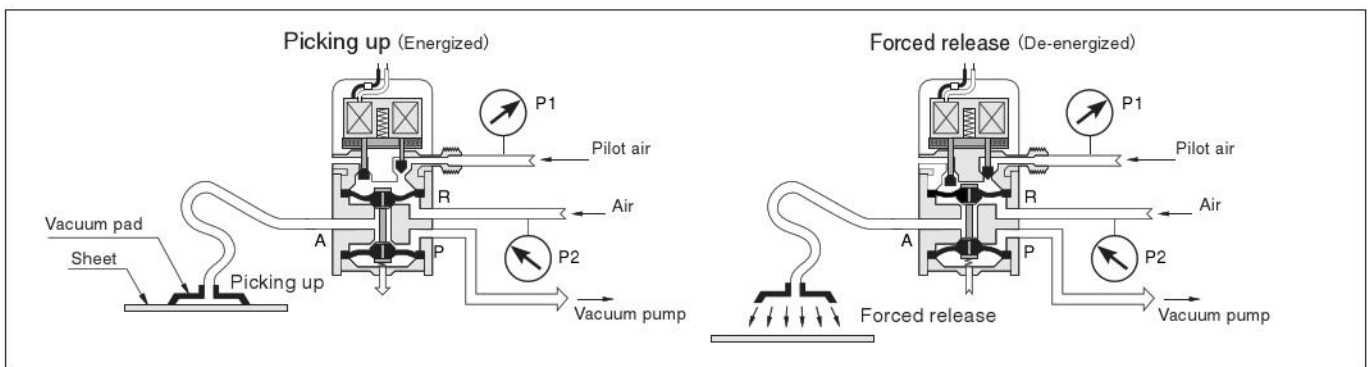
When the vacuum is -66.7kPa [-19.7in.Hg], and the vacuum pad area is 176.6cm² [27.3in.²], the picking-up force is 1178N [265lbf.].

Reference

How to Use Both Vacuum and Pressure Type (SV062E1)

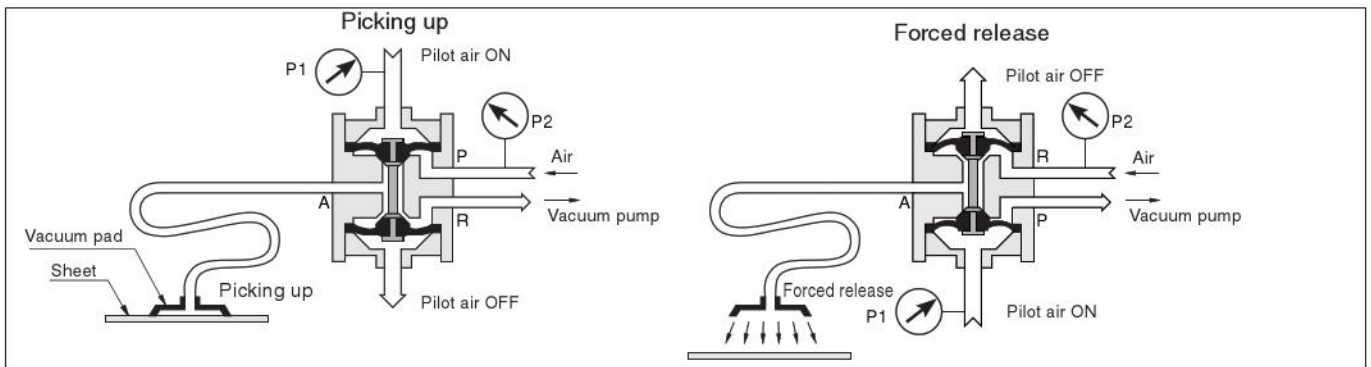


Application of External Air Pilot Type (VA250AE1/ VA2503AE1/ VA500AE1)



Note: Use as $P_1 > 2P_2$.

Application of External Double Air Pilot Type (250A2 / 500A2, etc.)



Note: Use as $P_1 > 2P_2$.

Pressure Unit Comparison Table

