

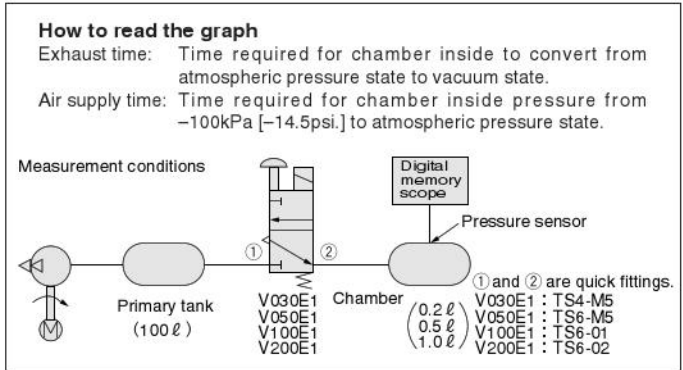
Field proven mechanism offers reliable vacuum application and durability.

SQUARE TYPE SOLENOID VACUUM VALVES

Rational mechanism, pursuing ease of use and reliability, achieves proven results and ensured operation. High performance 2-, 3-port direct acting solenoid vacuum valve series is available in the solenoid valves 030, 050, 100, and 200 series.

- The V030 series is a space-saving, low current type capable of handling multiple vacuum pads on a one-to-one basis. A choice of wiring type is offered. Surge-suppression measures are standard for both AC and DC.
 - The V100 and V200 series can be used as NC (normally closed) and NO (normally open) 2-, 3-port valves with flexibility on piping ports and flow directions, and can also demonstrate their true value as selector valves (dual-pressure switching valves) or divider valves.
- The 3-port valve V030, V050, SV100 and SV200 series offers excellent reliability even when used in positive pressure applications, and is therefore optimum valve for use as a vacuum break or releasing workpiece valve.
- A flywheel diode is standard equipment on AC solenoids (except for V030, optional on the DC24V model), eliminating solenoid burning or humming.

Caution: Solenoid valves that can be used for vacuum applications include variations of the G010 series, the 112 and 182 series, and the F series. For details, see the pages of each series.



Solenoid vacuum valves **030** series

V030E1 (standard type)

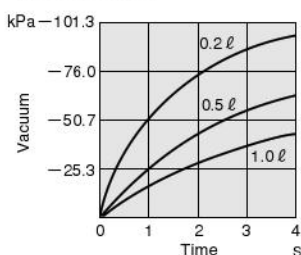
- Uses a low current 65mA, 1.6A (DC24V) solenoid.
- Compact and lightweight with 15mm [0.591in.] width and 57g [2.01oz.] single-unit mass.

<Main specifications>

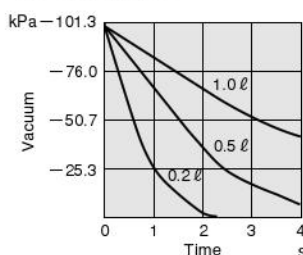
Effective area [Cv] 1(P)→2(A): 0.6mm² [0.02],
 2(A)→3(R): 0.8mm² [0.03]
 Port size 1(P), 2(A): M5×0.8, R: φ 1.8
 Operating pressure range ... -100~0kPa [-14.5~0psi.]



Exhaust time



Air supply time



1kPa = 0.145psi.

Solenoid vacuum valves **050** series

Standard type V050E1/Low current type V050LE1

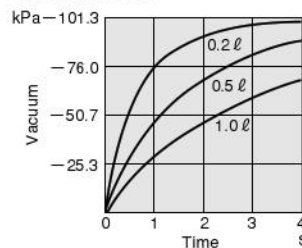
- Offers combined use of both vacuum and positive pressure states.
- Uses a poppet-type seal. Minimal problems of sticking due to collected liquid, for assured switching operations.

<Main specifications>

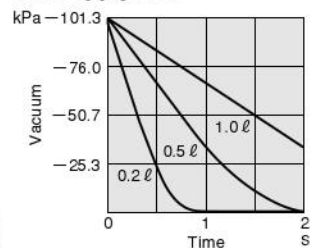
Effective Area [Cv] 1.5mm² [0.08]
 Port size M5×0.8 (Rc1/8)
 Operating pressure range ... -100~0kPa [-14.5~0psi.]
 0~0.7MPa [0~102psi.]



Exhaust time



Air supply time



1kPa = 0.145psi.

Valve functions and connection port configurations

V030, V050

When not using positive pressure

		De-energized	Energized
2-port	Normally closed (NC)		
	Normally open (NO) (V050 only)		
3-port	Normally closed (NC)		
	Normally open (NO) (V050 only)		

When using both vacuum and positive pressure (V050 only)

		De-energized	Energized
3-port	Normally closed (NC)		
	Normally open (NO)		

V100, V200

		De-energized	Energized
2-port	Normally closed (NC)		
	Normally open (NO)		
3-port	Normally closed (NC)		
	Normally open (NO)		
Selector valve			
Divider valve			

SV100, SV200

		De-energized	Energized
3-port	Normally closed (NC)		
	Normally open (NO)		

Solenoid vacuum valves 100 series

Standard type V100E1/For both vacuum and positive pressure type SV100E1

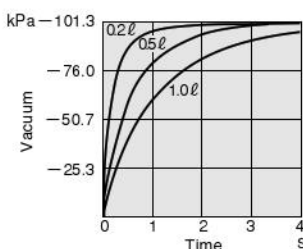
- Uses a pressure-balance poppet for equalizing the air supply pressure at the valve seat portion.
- Small operating force suitable for high-cycled operations, offering large flow rate in a compact body.

<Main specifications>

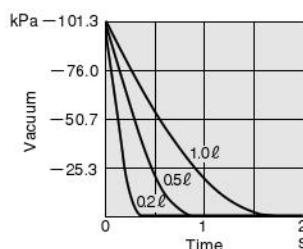
Effective Area [Cv]5.0mm² [0.28]
 Port sizeRc1/8
 Operating pressure range ...-100~0kPa [-14.5~0psi.] (V100E1)
 -100~0kPa [-14.5~0psi.],
 0~0.9MPa [0~131psi.] (SV100E1)



Exhaust time



Air supply time



1kPa = 0.145psi.

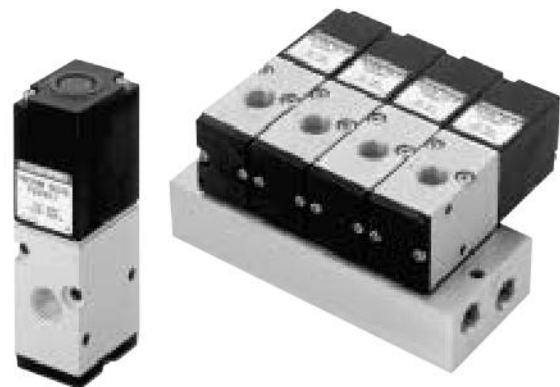
Solenoid vacuum valves 200 series

Standard type V200E1/For both vacuum and positive pressure type SV200E1

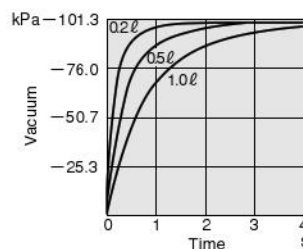
- As in the 100 series, uses a pressure-balance poppet for equalizing the air supply pressure at the valve seat portion.
- Small operating force suitable for high-cycled operations, offering large flow rate in a compact body.

<Main specifications>

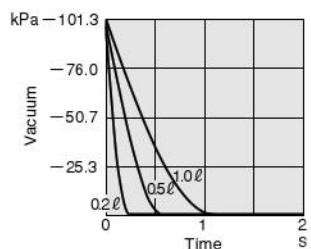
Effective Area [Cv]8.5mm² [0.47]
 Port sizeRc1/4
 Operating pressure range ...-100~0kPa [-14.5~0psi.] (V200E1)
 -100~0kPa [-14.5~0psi.],
 0~0.9MPa [0~131psi.] (SV200E1)



Exhaust time



Air supply time



1kPa = 0.145psi.

SQUARE TYPE SOLENOID VACUUM VALVES

V200 Series



Specifications

Basic model		V200E1	MV200E1-11	SV200E1	MSV200E1-11
Item					
Media		Vacuum		Vacuum, air	
Operation type		Direct acting			
Number of positions		2 positions			
Number of ports		2, 3 ports		3 ports	
Valve function		Normally closed (NC) or normally open (NO)	Normally open (NO)	Normally closed (NC) ^{Note 1}	Normally open (NO)
Effective area [Cv]	mm ²	8.5 [0.47]			
Port size		Rc1/4			
Lubrication		Not required			
Operating pressure range	kPa {mmHg} [in.Hg]	-100~0 [-750.1~0] [-29.53~0]		-100~0 [-750.1~0] [-29.53~0], 0~0.9MPa (0~9.2kgf/cm ²) [0~131psi.]	
Proof pressure	MPa {kgf/cm ² } [psi.]	—		1.32 [13.5] [191]	
Response time ^{Note 2}	DC24V	20/20 or below			
ON/OFF	AC100V, AC200V	20/20 or below			
Maximum operating frequency	Hz	5			
Maximum temperature range (atmosphere and media)	°C [°F]	0~50 [32~122]			
Shock resistance m/s ² [G]	Lateral direction	980.7 [100.0]			
	Axial direction	588.4 [60.0]			
Mounting direction		Any			
Mass	g [oz.]	300 [10.58]			

Notes: 1. The positive pressure side is normally closed.

2. For V200E1, values when the vacuum is -100kPa [-750.1mmHg] [-29.53in.Hg]. For SV200E1, values when the air pressure is 0.5MPa {5.1kgf/cm²} [73psi].

Solenoid Specifications

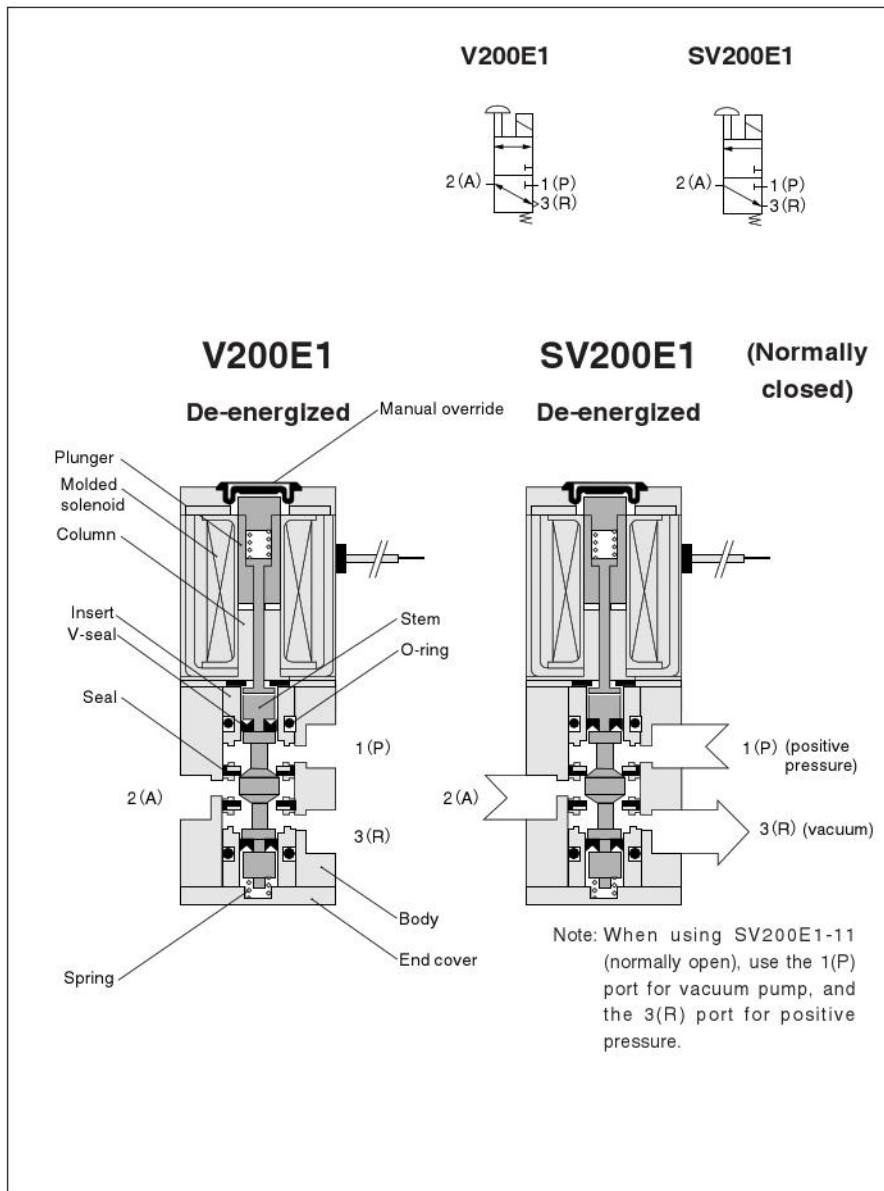
Rated voltage		DC24V	AC100V	AC200V
Item				
Type		DC type	Flywheel type	
Operating voltage range	V	21.6~26.4 (24±10%)	90~110 (100±10%)	180~220 (200±10%)
Current ^{Note 1} (when rated voltage) (is applied)	Frequency	—	50	60
	Energizing ^{Note 2} mA (r.m.s.)	420 (10.1W) [432 (10.4W)]	160 [170]	150 [160]
Allowable leakage current	mA	30	15	7
Insulation resistance	MΩ	10		
Wiring type and lead wire length	Standard	Grommet type: 300mm [11.8in.]		
	Optional	With DIN connector		
Color of lead wire		Red (Red (+), Blue (-)) ^{Note 1} Red (+), Black (-) ^{Note 3}	Yellow, Black	White, Black
Color of LED indicator (optional)		Red	Yellow	Green
Surge suppression	Standard	Flywheel diode		
	Optional	Flywheel diode	—	

Notes: 1. Figures and descriptions in brackets [] are for solenoids with LED indicators.

2. Since the AC types have built-in flywheel diodes, the starting current value and energizing current value are virtually the same.

3. For solenoids with surge suppression, and solenoids with LED indicators and surge suppression.

Operating Principles and Symbols



Valve functions and connection port configurations

V200

When not using positive pressure

		De-energized		Energized
2-port	Normally closed (NC)	2(A) → 1(P) (vacuum pump, etc.)	3(R) (plug)	→
	Normally open (NO)	2(A) → 3(R) (vacuum pump, etc.)	1(P) (plug)	→
3-port	Normally closed (NC)	2(A) → 1(P) (vacuum pump, etc.)	3(R) (atmosphere)	→
	Normally open (NO)	2(A) → 3(R) (vacuum pump, etc.)	1(P) (atmosphere)	→
Selector valve		2(A) → 1(P) (vacuum pump, etc.)	3(R) (vacuum pump, etc.)	→
Divider valve		(vacuum pump, etc.) 2(A) → 1(P)	3(R)	→

SV200

When using both vacuum and positive pressure

3-port	Normally closed (NC)	2(A) → 1(P) (positive pressure)	3(R) (vacuum pump, etc.)	←
	Normally open (NO)	2(A) → 3(R) (vacuum pump, etc.)	1(P) (positive pressure)	←

Major Parts and Materials

	Parts	Materials
Valve	Body	Aluminum alloy (anodized)
	Stem	
	Seal	
	Insert	
	Spring	
	Mounting base	
	Plunger	
Manifold	Column	Magnetic steel (zinc plated)
	Body	Aluminum alloy (anodized)
	Block-off plate	Mild steel (zinc plated)
	Seal	Synthetic rubber
	Mounting bracket	Mild steel (zinc plated)

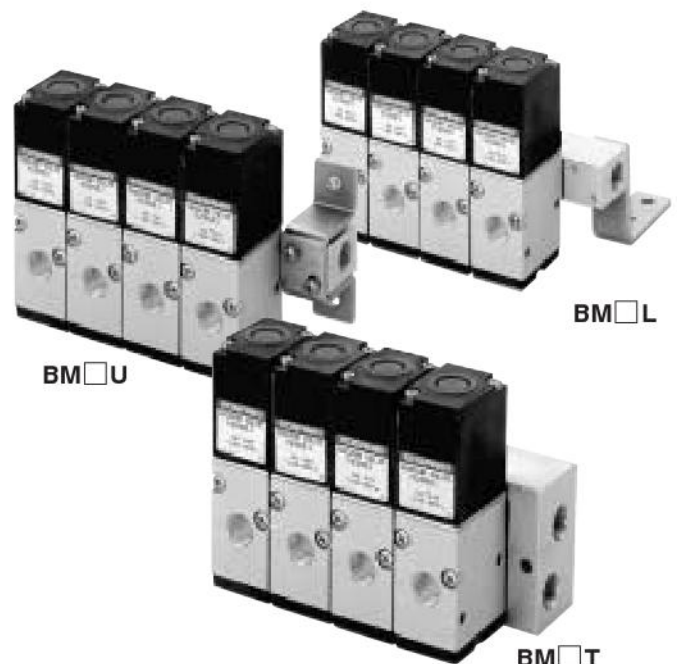
Remark: Materials that generate copper ions are not used for the non-ion specification.

Manifold Connection Port Size

Manifold model	Port	Location of piping connection	Port size
BM□T	1(P)	Manifold	Rc1/4
	2(A)	Valve	
	3(R)	Manifold	
BM□U	1(P)	Manifold	Rc1/4
	2(A)	Valve	
	3(R)	Valve	
BM□L	1(P)	Manifold	Rc1/4
	2(A)	Valve	
	3(R)	Valve	

Manifold Mass

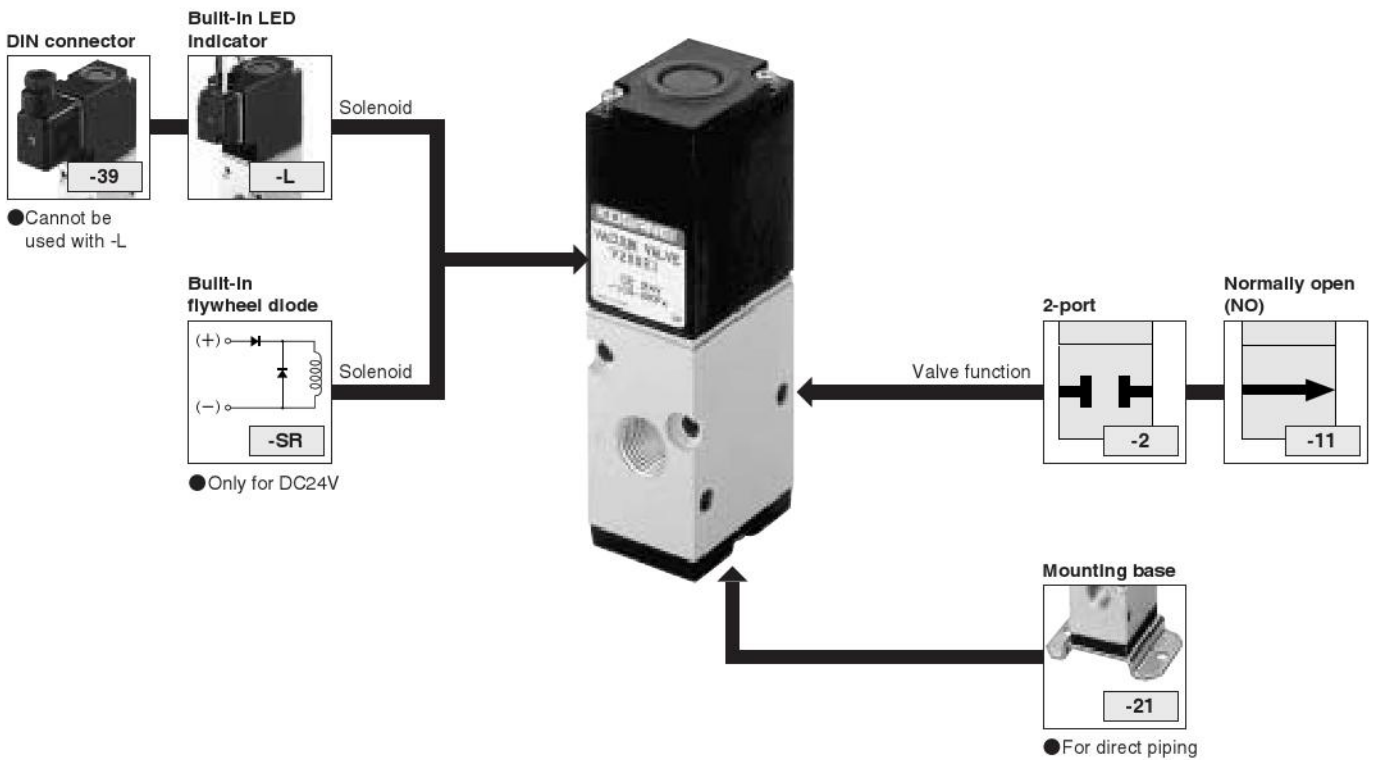
Manifold model	Mass calculation of each unit (n=number of units)	Block-off plate
BM□T	(138×n)+125 [(4.87×n)+4.41]	30 [1.06]
BM□U	(50×n)+200 [(1.76×n)+7.05]	15 [0.53]
BM□L	(50×n)+200 [(1.76×n)+7.05]	15 [0.53]



SQUARE TYPE SOLENOID VACUUM VALVES

Optional System

Single unit



Solenoid Vacuum Valve Order Codes

For vacuum

	Basic model	Valve function		Option			Voltage		
		2-port	Normally open (NO)	Mounting base	DIN connector	LED indicator		Flywheel diode	
Direct piping	3-port normally closed 2-port normally closed 2-port normally open	V200E1	-2 ^{Note 2}		-21	-39	-L	-SR	DC24V AC100V AC200V
				-11					
For manifold only ^{Note 1}	3-port normally open 2-port normally open	MV200E1		-11		-39	-L	-SR	DC24V AC100V AC200V
			-2	-11					

Notes: 1. They cannot be used as single units.
2. Plug included.

● Always make a selection.

● When ordering the non-ion specification, enter -NCU after the basic model code.

● For DC24V only. Standard for AC100V and AV200V.

● Not available for DIN connector

For both vacuum and positive pressure

	Basic model	Valve function		Option			Voltage		
		Normally open (NO)	Mounting base	DIN connector	LED indicator	Flywheel diode			
Direct piping	3-port ^{Note 1} normally closed 3-port normally open	SV200E1		-11	-21	-39	-L	-SR	DC24V AC100V AC200V
For manifold only ^{Note 2}	3-port normally open	MSV200E1		-11		-39	-L	-SR	DC24V AC100V AC200V

Notes: 1. The positive pressure side is normally closed.
2. They cannot be used as single units.

● Always make a selection.

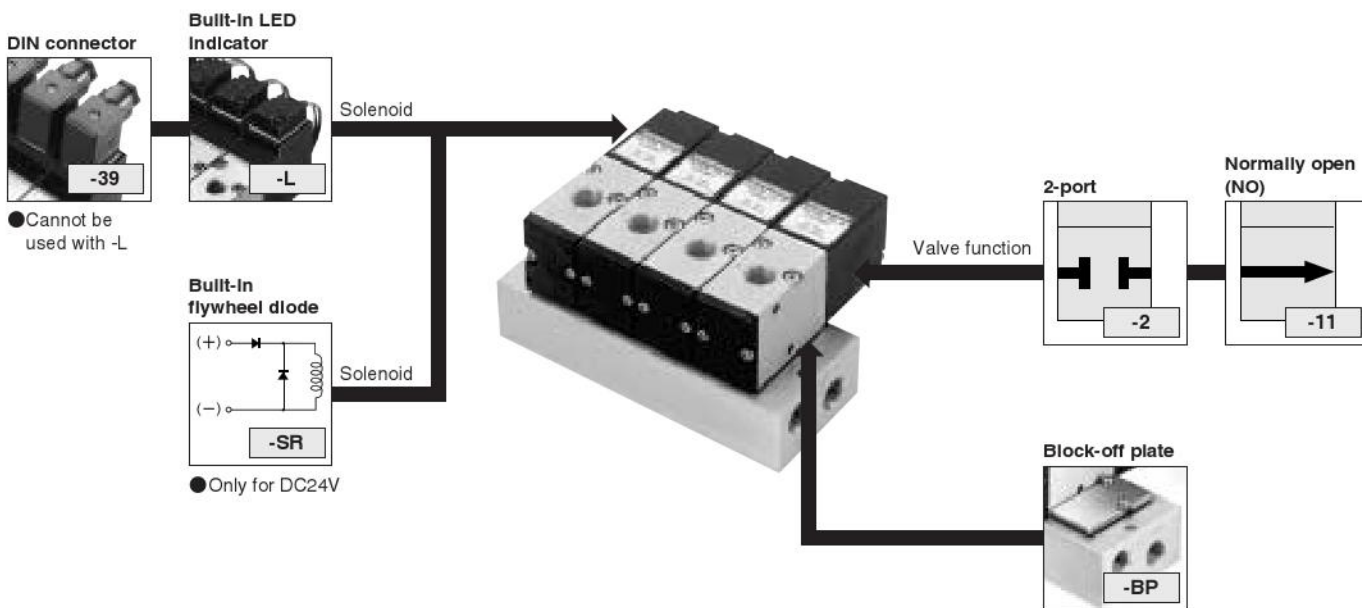
● When ordering the non-ion specification, enter -NCU after the basic model code.

● For DC24V only. Standard for AC100V and AV200V.

● Not available for DIN connector

Optional System

Manifold



Manifold Order Codes

For vacuum

Manifold model		Station		Valve model		Option		Flywheel diode		Voltage
Number of units				Basic model	2-port	Normally open (NO)	DIN connector	LED indicator		
BM	2 ⋮ 10	T	stn. <input type="checkbox"/>	-V200E1	-2		-39	-L	-SR	DC24V AC100V AC200V
				-MV200E1	-2	-11				
		L	stn. <input type="checkbox"/>							

- Valve mounting location from the left-hand side when facing the 2(A) port
- Always make a selection.
- Specify the valve model for each station.
- Enter -BP when closing a station with a block-off plate without mounting a valve.
- When ordering the non-ion specification, enter -NCU after the basic model code.
- For DC24V only. Standard for AC100V and AV200V.
- Not available for DIN connector

For both vacuum and positive pressure

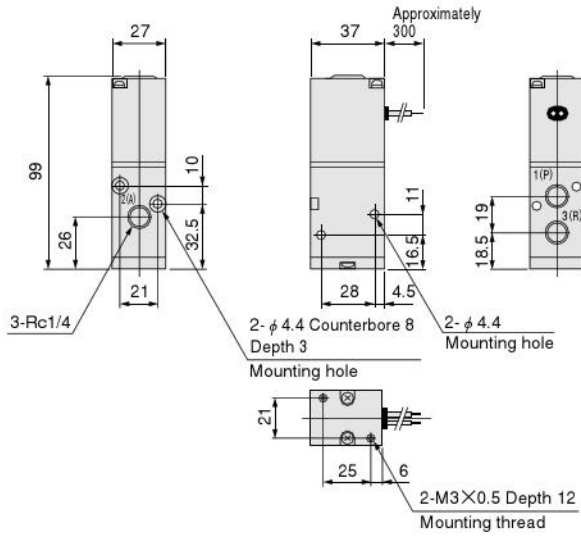
Manifold model		Station		Valve model		Option		Flywheel diode		Voltage
Number of units				Basic model	Normally open (NO)		DIN connector	LED indicator		
BM	2 ⋮ 10	T	stn. <input type="checkbox"/>	-SV200E1			-39	-L	-SR	DC24V AC100V AC200V
				-MSV200E1		-11				
			stn. <input type="checkbox"/>							

- Note: The positive pressure side is normally closed.
- Valve mounting location from the left-hand side when facing the 2(A) port
 - Always make a selection.
 - Specify the valve model for each station.
 - Enter -BP when closing a station with a block-off plate without mounting a valve.
 - When ordering the non-ion specification, enter -NCU after the basic model code.
 - For DC24V only. Standard for AC100V and AV200V.
 - Not available for DIN connector

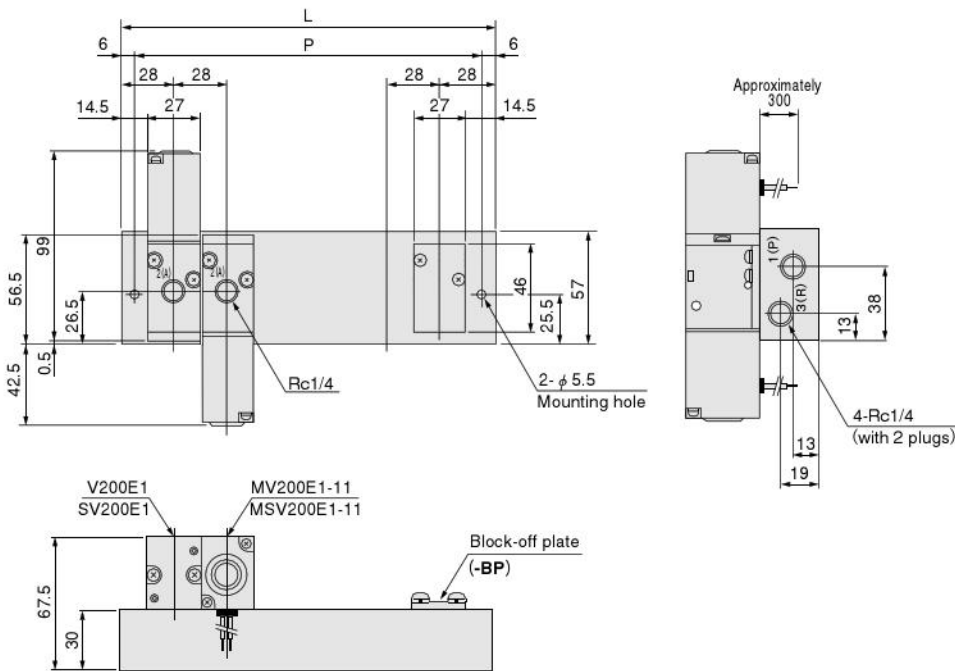
SQUARE TYPE SOLENOID VACUUM VALVES

Dimensions (mm)

V200E1 SV200E1



BM□T

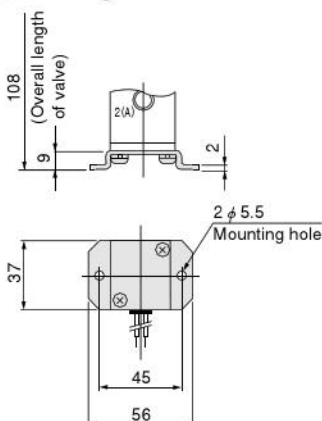


Unit dimensions

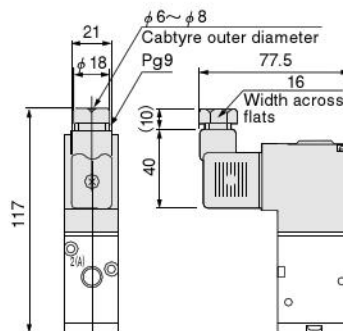
Model	L	P
BM2T	84	72
3T	112	100
4T	140	128
5T	168	156
6T	196	184
7T	224	212
8T	252	240
9T	280	268
10T	308	296

Options

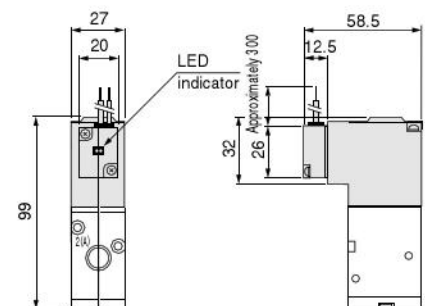
● Mounting base: -21



● Solenoid with DIN connector: -39

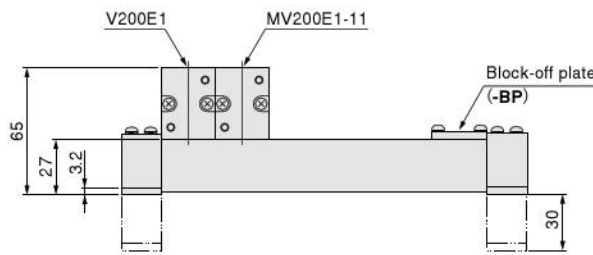
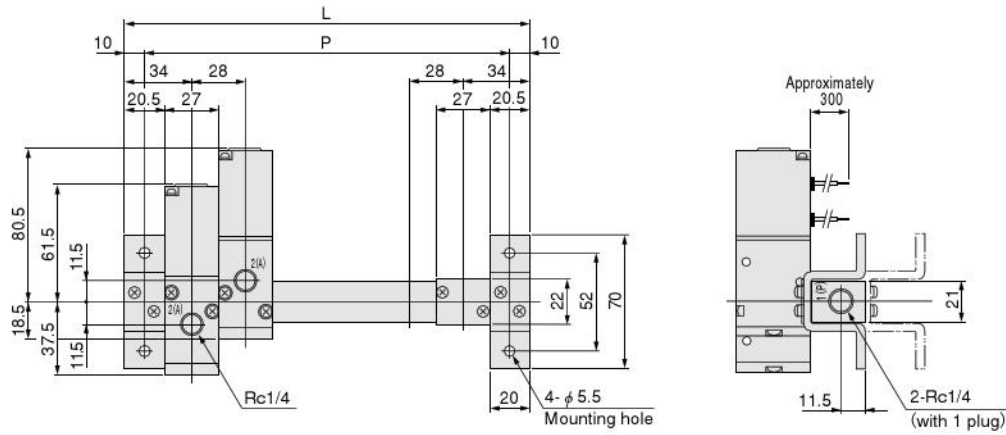


● Solenoid with LED indicator: -L



Dimensions (mm)

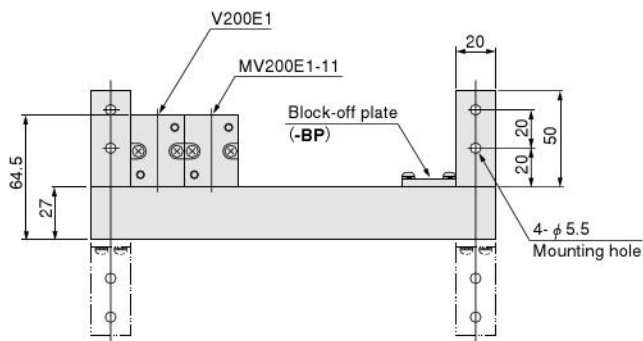
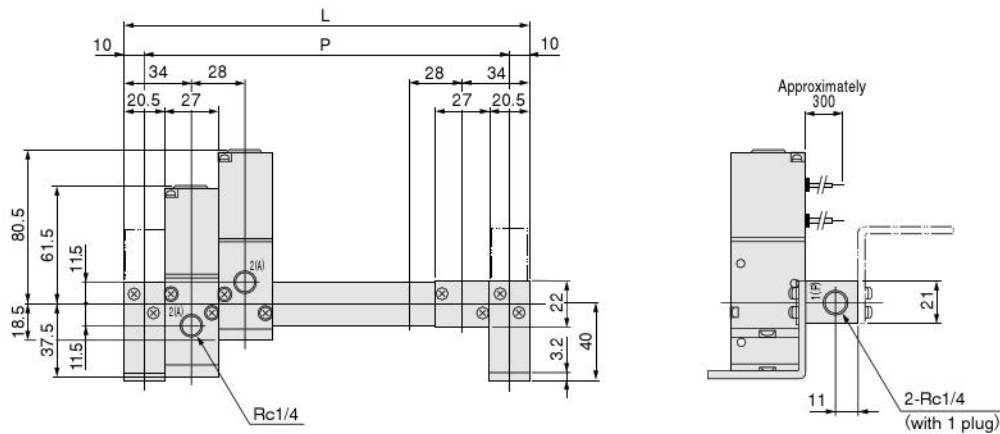
BM□U



Unit dimensions

Model	L	P
BM2U	96	76
3U	124	104
4U	152	132
5U	180	160
6U	208	188
7U	236	216
8U	264	244
9U	292	272
10U	320	300

BM□L



Unit dimensions

Model	L	P
BM2L	96	76
3L	124	104
4L	152	132
5L	180	160
6L	208	188
7L	236	216
8L	264	244
9L	292	272
10L	320	300

SQUARE TYPE SOLENOID VACUUM VALVES

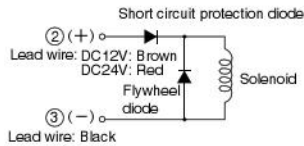


Solenoid

Internal circuit

● DC12V, DC24V

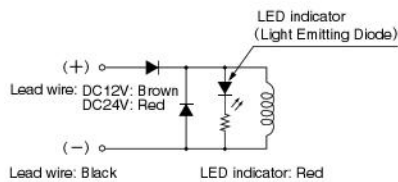
Standard solenoid (Surge suppression)



② and ③ are for with DIN connector (Order code: -39).

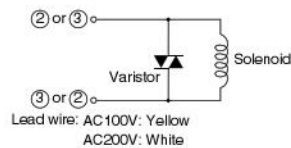
Solenoid with LED indicator (Surge suppression)

Order code: -PSL, -PLL



● AC100V, AC200V

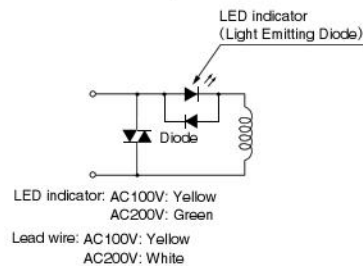
Standard solenoid (Surge suppression)



② and ③ are for with DIN connector (Order code: -39).

Solenoid with LED indicator (Surge suppression)

Order code: -PSL, -PLL



- Cautions:**
1. Do not apply megger between the lead wires.
 2. The DC12V and DC24V solenoids will not short circuit even if the wrong polarity is applied, but the valve will not operate.
 3. Leakage current inside the circuit could result in failure of the solenoid valve to return, or in other erratic operation. Always use it within the range of the allowable leakage current. When circuit conditions, etc. cause the leakage current to exceed the allowable leakage current, consult us.

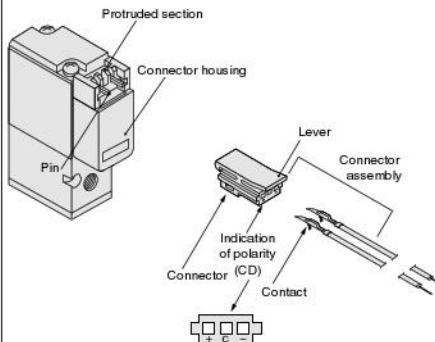


Plug connector

Attaching and removing plug connector

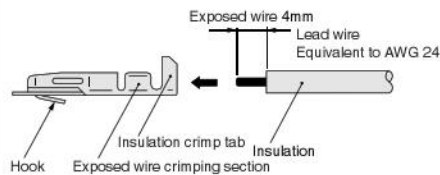
Use fingers to insert the connector into the pin, push it in until the lever claw latches onto the protruded section of the connector housing, and complete the connection.

To remove the connector, squeeze the lever along with the connector, lift the lever claw up from the protruded section of the connector housing, and pull it out.



Crimping of connecting lead wire and contact

To crimp lead wires into contacts, strip off 4mm [0.16in.] of the insulation from the end of the lead wire, insert it into the contact, and crimp it. Be sure to avoid catching the insulation on the exposed wire crimping section.

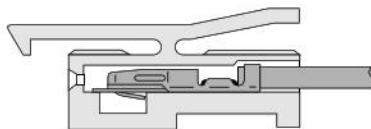


- Cautions:**
1. Do not pull hard on the lead wire.
 2. For crimping of connecting lead wire and contact, always use a dedicated crimping tool.
Contact: Model 702062-2M
Manufactured by Sumiko Tech, Inc.
Crimping tool: Model F1-702062
Manufactured by Sumiko Tech, Inc.

Attaching and removing contact and connector

Insert the contact with lead wire into a plug connector hole until the contact hook latches on the connector and is secured to the plug connector. Confirm that the lead wire cannot be easily pulled out.

To remove it, insert a tool with a fine tip (such as a small screwdriver) into the rectangular hole on the side of the plug connector to push up on the hook, and then pull out the lead wire.



- Cautions:**
1. Do not pull hard on the lead wire. It could result in defective contacts, breaking wires, etc.
 2. When the pin is bent, use a small screwdriver, etc. to gently straighten out the pin, and then complete the connection to the plug connector.

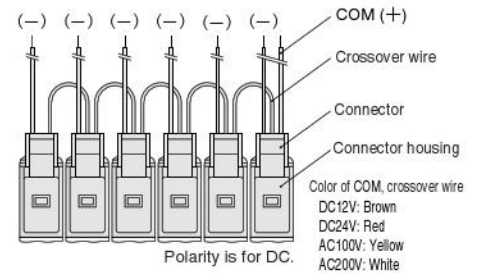
Common terminal pre-wired plug connector

1.Pre-wired common terminal at DC positive side or AC.

Order code With straight

connector: -CPSL

With L connector: -CPLL

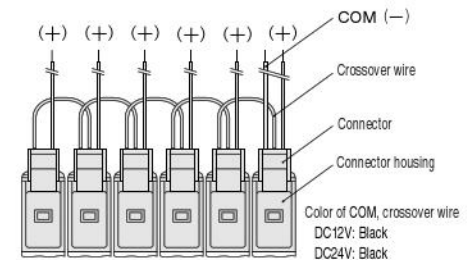


2.Pre-wired common terminal at DC negative side

Order code With straight

connector: -CMSL

With L connector: -CMLL



- Cautions:**
1. The diagrams show a straight connector configuration. While the connector's orientation is different in the case of the L connector, in every case the COM lead wire comes from the last station's mounted valve.
 2. Since the COM terminal is connected to a crossover terminal inside the connector housing, the connector cannot be switched between a positive common and a negative common by changing the connectors.

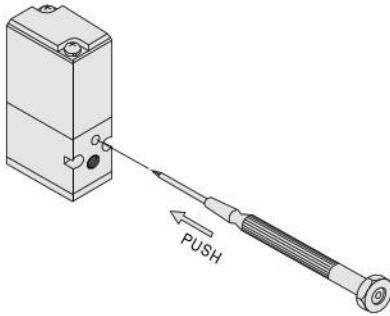


Manual override

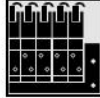
Non-locking type, locking protruding type

For the non-locking type manual override, use an object with a fine tip to push the manual override down all the way. The valve works the same as when in the energized state as long as the manual override is pushed down, and returns to the rest position upon release.

To lock the locking protruding type manual override, use a finger tip or a small screwdriver to push down on the manual override all the way and turn it 45 degrees. Either turning direction at this time is acceptable. When locked, turning the manual override from the locking position releases a spring on the manual override, returns it to its normal position, and releases the lock. When the manual override is not turned, this type acts just like the non-locking type. The valve works the same as in an energized state as long as the manual override is pushed down, and returns to the normal position upon release.



Caution: Always release the lock of the locking protruding type manual override before commencing normal operations.



Manifold

Piping

The 1(P) port and 3(R) port are located on both end surfaces of the manifold, and the mounting location determines selection of piping direction. At shipping, ports on one side are plugged. Remove them, and then use sealing tape or other sealing agent, and then tighten.

Block-off plate

To close the unused stations, use a block-off plate (Order code: **-BP**).

Caution: For the 1(P) port piping, use a size that matches the manifold's piping connection port. Insufficient flow rate or vacuum could result in defective valve operation or in insufficient picking capacity with the vacuum pad.



General precautions

Mounting

1. While any mounting direction is acceptable, using the mounting base (Order Code: **030-21**) for installation, make sure to avoid applying strong shocks in the lateral direction.
2. When using in locations subject to dripping water or oil, or in extremely dusty locations, use a cover, etc. to protect the unit. In addition, install a muffler (Order Code: **KM-06**), etc. to the 3(R) port to prevent dust from entering the unit.
3. Before piping with valves, always thoroughly blow off foreign materials (blow by compressed air) in the piping interior. Entering machining chips or sealing tape, rust, etc., generated during plumbing could result in air leaks and other defective operations.
4. When mounting a valve unit inside the control panels or when the operation requires long energizing periods, provide heat radiation measures.

Media

Use air for the media. For use of any other media, consult us.

Atmosphere

Cannot be used when the substances listed below are found in the media and atmosphere. Organic solvents, phosphate ester type hydraulic oil, sulphur dioxide, chlorine gas, or other acids, etc.



Solenoid

Internal circuit

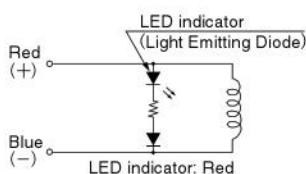
● DC24V

Standard solenoid



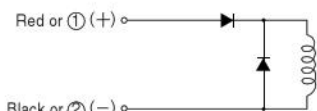
Solenoid with LED indicator

Order code: -LF,-L



Solenoid with surge suppression

Order code: -SR

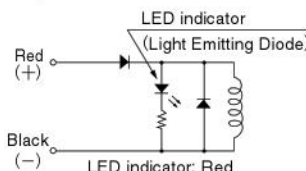


① and ② are for with DIN connector
(Order code: -39).

Solenoid with LED indicator and surge suppression

Order code: -LF-SR

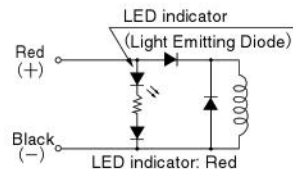
(V050 standard type, V100 and SV100 series)



Solenoid with LED indicator and surge suppression

Order code: -L-SR

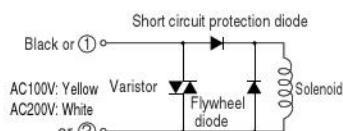
(V050 low current type, V200 and SV200 series)



● 100V, AC200V

(Surge suppression)

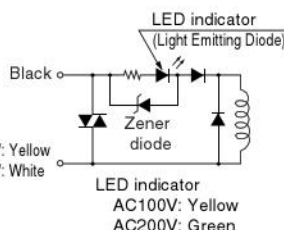
Standard solenoid



① and ② are for with DIN connector
(Order code: -39).

Solenoid with LED indicator

Order code: -LF,-L

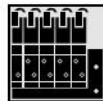


Cautions: 1. Do not apply megger between the lead wires.

2. The DC24V solenoid will not short circuit even if the wrong polarity is applied, but the valve with surge-suppression will not operate. Also, the LED indicator will not turn on, for units with LED indicators.

3. Leakage current inside the circuit could result in failure of the solenoid valve to return, or in other erratic operation. Always use within the range of the allowable leakage current. When circuit conditions, etc. cause the leakage current to exceed the allowable leakage current, consult us.

4. Since the AC solenoid uses a diode for the solenoid, always connect lead wires of the same color when wiring a number of solenoid valves in parallel. The DC24V standard solenoid, however, has no polarity, so any lead wire connection is acceptable.



Manifold

Piping

The 1(P) port and 3(R) port are located at both end surfaces of the manifold, and the mounting location determines selection of piping direction.

At shipping, ports on one side are plugged. Remove them, and then use sealing tape or other sealing agent, and then tighten.

Block-off plate

To close the unused stations, use a block-off plate (Order code: -BP).

- Cautions:**
1. For the 1(P) port piping, use a size that matches the manifold's piping connection port.
 2. When installing piping or mufflers to the 3(R) port, ensure there will be minimum exhaust resistance.
 3. When multiple number of valves are operated simultaneously on a multi-units manifold, or when used at high frequency, use the 1(P) and 3(R) ports on both end surfaces.



General precautions

Mounting

1. While any mounting direction is acceptable, for installation using the mounting base (Order Code: -21), make sure to avoid applying strong shocks in the lateral direction.
2. When using in locations subject to dripping water or oil, or in extremely dusty locations, use a cover, etc. to protect the unit. In addition, install a muffler, etc. to the exhaust port to prevent dust from entering the unit.
3. Before piping with valves, always thoroughly blow off foreign materials (blow by compressed air) in the piping interior. Entering machining chips or sealing tape, rust, etc., generated during plumbing could result in air leaks and other defective operations.
4. When mounting a valve unit inside the control panels or when the operation requires long energizing periods, provide heat radiation measures.

Piping

In the V050, SV100, and SV200 series, the flow direction is limited. See p.854 for the valve functions and piping port configurations, then make the piping.

Media

1. Use air for the media. For use of any other media, consult us.
2. Air used for the valve should be clean air that contains no deteriorated compressor oil, etc. Install an air filter (filtration of 40µm or less) near the valve to remove collected liquid or dust. In addition, drain the air filter periodically.

Lubrication

While the unit can be used without lubrication, the Turbine Oil Class 1 (ISO VG32) or equivalent is recommended when using dry air (air that contains no moisture or oil content). Avoid using spindle oil or machine oil.

Atmosphere

Cannot be used when the substances listed below are found in the media and atmosphere.

Organic solvents, phosphate ester type hydraulic oil, sulphur dioxide, chlorine gas, or other acids, etc.