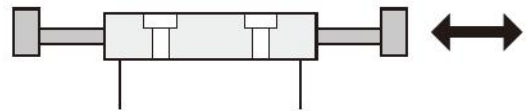


SPACE-SAVING

These space-saving, high-precision, advanced-performance actuators combine 2 air cylinders within a compact thin body pneumatic device. The flat, square shape achieves twice the cylinder thrust, for maximum utilization of the limited space.

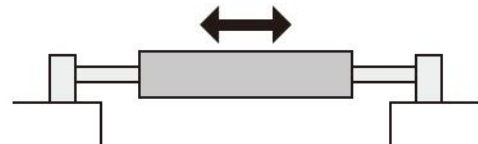
In addition, the cylinder's piston rods act as guides to improve non-rotating accuracy and positioning accuracy, demonstrating great effectiveness in reducing design hours and costs for mechanical devices.

Fixed Table Type SUT



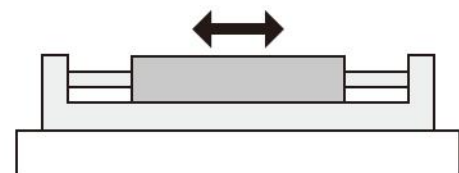
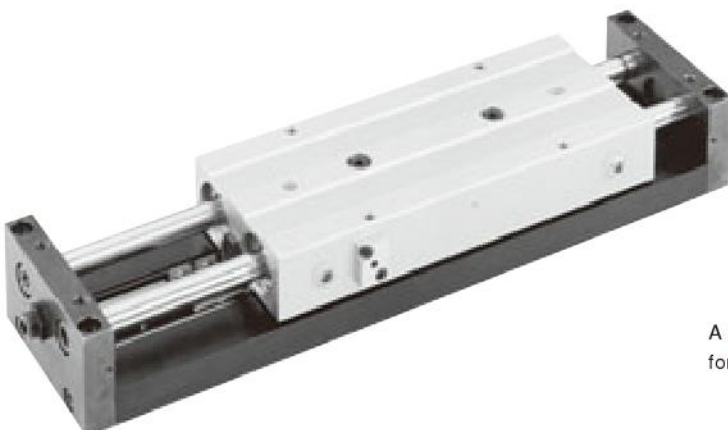
Because the piston rod moves, it can be used as a non-rotating cylinder, and both end plates can be used as sliding tables.

Fixed End Plate Type SUP



By fixing both end plates, it can be used as a sliding table. Piping connections are possible from either of the 2 end plates.

Fixed Rail-on Plate Type SUL



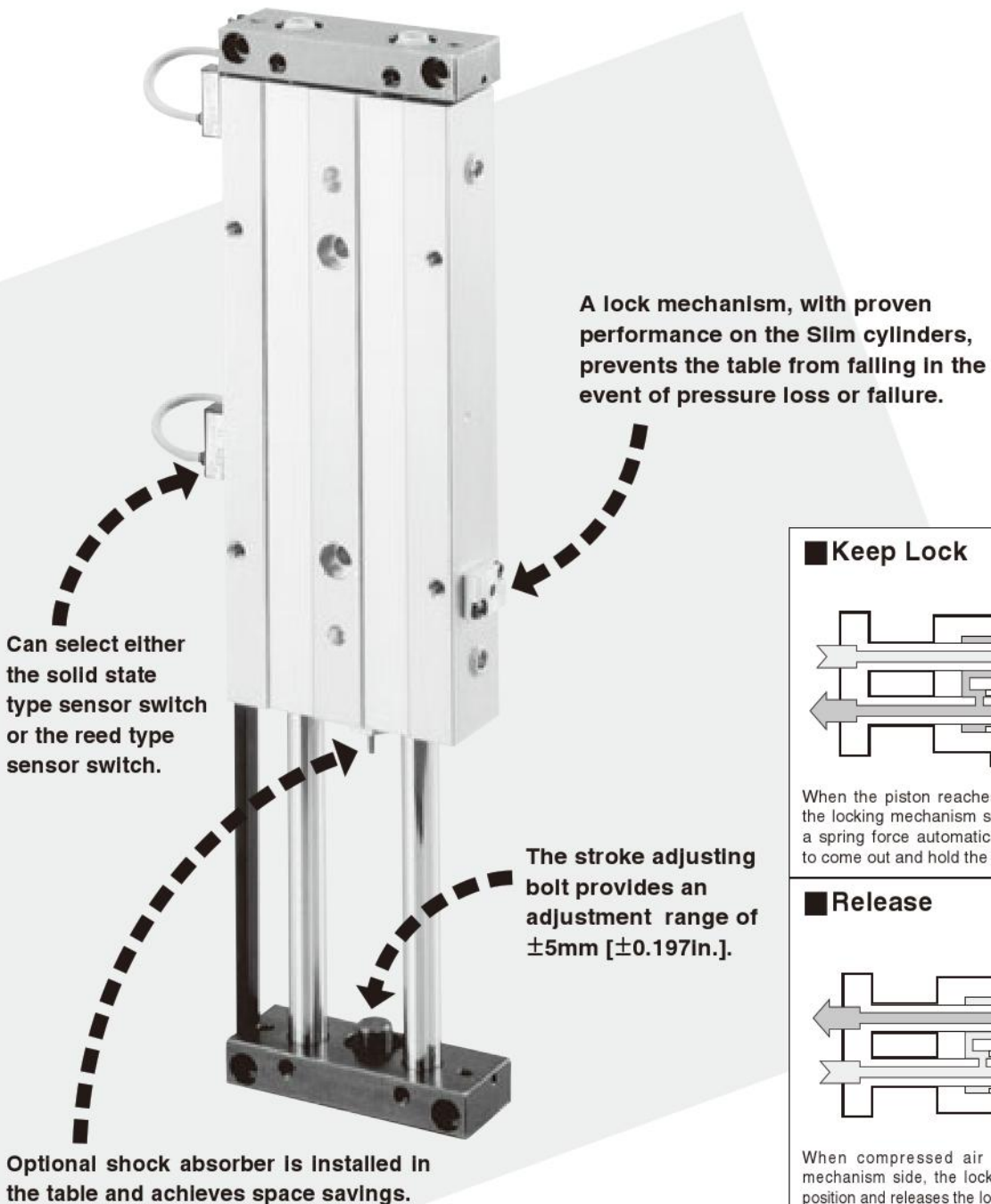
A slide bearing is installed under the table of the fixed end plate type for heavy loads and/or longer strokes.

With End Keep Mechanism

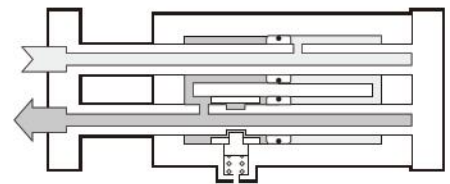
Fixed table type SUTK

Fixed end plate type SUPK

Fixed rail-on plate type SULK

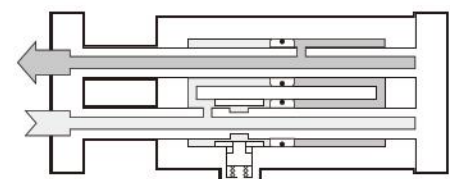


Keep Lock



When the piston reaches the end of the stroke and the locking mechanism side is completely exhausted, a spring force automatically actuates the lock piston to come out and hold the table.

Release



When compressed air is supplied to the locking mechanism side, the lock piston returns to its original position and releases the lock and the table starts moving.

SLIDE UNITS

With End Keep Mechanism

Specifications

Item	Bore size mm [in.]	16 [0.630]	25 [0.984]
Operation type		Double acting, double piston type	
Media		Air	
Mounting type		Fixed table type, Fixed end plate type, Fixed rail-on plate type	
Operating pressure range	MPa [psi.]	0.2~0.9 [29~131]	
Proof pressure	MPa [psi.]	1.32 [191]	
Operating temperature range	°C [°F]	0~60 [32~140]	
Operating speed range	Standard	50~200 [2.0~7.9]	
	With shock absorber	50~400 [2.0~15.7]	
Cushion		Shock absorber (Optional)	
Lubrication		Not required	
Non-rotating accuracy		±0.05°	±0.02°
Stroke adjusting range	mm [in.]	±5 [±0.197] (Opposite side of lock mechanism only)	
Maximum holding force (at end keep)	kgf [lbf.]	10 [22]	24 [53]
Backlash (at end keep)	mm [in.]	1.5 [0.059] or less	
Maximum loads	Fixed table type ^{Note}	14.7 [3.30]	24.5 [5.51]
	Fixed end plate type	29.4 [6.61]	49 [11.0]
	Fixed rail-on plate type	98.1 [22.05]	
Port size		M5×0.8	Rc1/8

Note: This is the total load when the load is equally applied on both plates (at the maximum stroke). When the load is on one side only, keep the load at the allowable lateral load or below.
For details, see p.889, "Allowable lateral load" and "Piston rod deflection."

Bore Size and Stroke

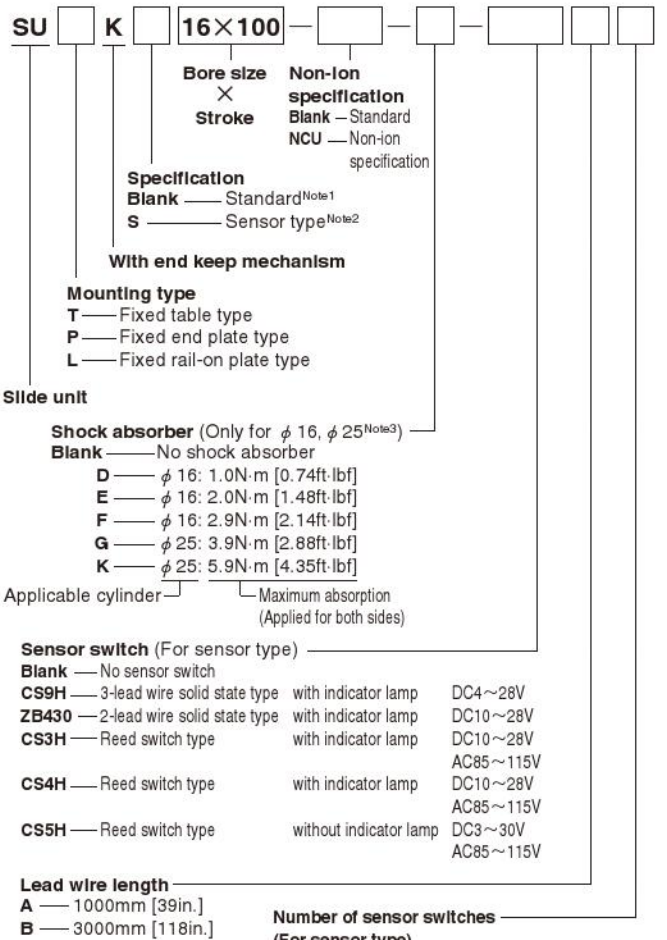
Bore size	Standard strokes ^{Note}
16	25, 50, 75, 100, 125, 150, 175, 200
25	25, 50, 75, 100, 125, 150, 175, 200

Note: The standard strokes for the fixed rail-on plate type are 100mm or more.

Cylinder Thrust

Bore size mm [in.]	Piston rod dia. mm [in.]	Pressure area mm ² [in. ²]	Air pressure MPa [psi.]								
			0.1 [15]	0.2 [29]	0.3 [44]	0.4 [58]	0.5 [73]	0.6 [87]	0.7 [102]	0.8 [116]	0.9 [131]
16 [0.630]	8 [0.315]	302 [0.468]	30 [6.7]	60 [13.5]	91 [20.5]	121 [27.2]	151 [33.9]	181 [40.7]	211 [47.4]	242 [54.4]	272 [61.1]
25 [0.984]	12 [0.472]	756 [1.172]	76 [17.1]	151 [33.9]	227 [51.0]	302 [67.9]	378 [85.0]	454 [102.1]	529 [118.9]	605 [136.0]	680 [152.9]

Order Codes



Notes: 1. The standard Slide Unit is not equipped with a magnet for sensor switch.
 2. Equipped with a magnet for sensor switch and mounting rail.
 3. Non-ion specification shock absorbers are special products, consult us for delivery, etc.

Air Consumption and Air Flow Rate

The figures in the table below show the air consumption when a Slide Unit makes 1 reciprocation with stroke of 1mm [0.0394in.].
 The air flow rate and consumption actually required is found by the following calculations below.

Air consumption for each 1mm [0.0394in.] stroke

cm³ [in.³]/Reciprocation (ANR)

Bore size mm [in.]	Air pressure MPa [psi.]							
	0.2 [29]	0.3 [44]	0.4 [58]	0.5 [73]	0.6 [87]	0.7 [102]	0.8 [116]	0.9 [131]
16 [0.630]	1.77 [0.1080]	2.36 [0.1440]	2.94 [0.1794]	3.53 [0.2154]	4.12 [0.2514]	4.70 [0.2868]	5.29 [0.3228]	5.87 [0.3582]
25 [0.984]	4.44 [0.2709]	5.91 [0.3607]	7.38 [0.4504]	8.84 [0.5395]	10.31 [0.6292]	11.78 [0.7189]	13.24 [0.8080]	14.71 [0.8977]

● Finding the air consumption

Example 1. When operating a Slide Unit with bore size of 16mm [0.630in.] and stroke of 50mm [1.97in.], and under air pressure of 0.5MPa [73psi.], for 1 reciprocation

$$\frac{3.53 \times 50}{1} \times 10^{-3} = 0.1765 \text{ l [0.00623ft}^3\text{]}/\text{Reciprocation (ANR)}^*$$

From Stroke
the table

Example 2. When operating a Slide Unit with bore size of 16mm [0.630in.] and stroke of 50mm [1.97in.], and under air pressure of 0.5MPa [73psi.], for 20 reciprocations per minute

$$\frac{3.53 \times 50 \times 20}{1} \times 10^{-3} = 3.53 \text{ l [0.125ft}^3\text{]}/\text{min (ANR)}^*$$

From Stroke Reciprocations per minute
the table

● Finding the air flow rate (for selecting F.R.L., valves, etc.)

Example: When operating a Slide Unit with bore size of 16mm [0.630in.] at speed of 100mm/s [3.94in./sec.] and under air pressure of 0.5MPa [73psi.]

$$\frac{3.53 \times 100 \times \frac{1}{2}}{1} \times 10^{-3} = 0.1765 \text{ l/s [0.00623ft}^3\text{/sec.]}(\text{ANR})^*$$

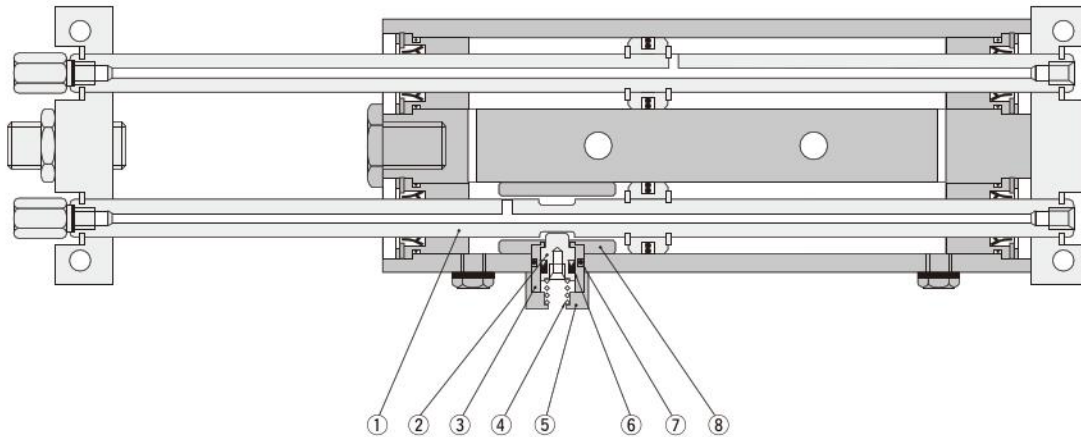
From Speed mm/s
the table

(At this time, the flow rate per minute is $0.1765 \times 60 = 10.59 \text{ l/min}$ [0.374ft³/min.] (ANR)*.)

*Refer to p.54 for an explanation of ANR.

Inner Construction

The diagram shows **SUPK16**×□



Major Parts and Materials

No.	Parts	Materials
①	Piston rod	Steel (hard chrome plated)
②	Lock piston	Steel
③	Sleeve	Aluminum alloy (anodized)
④	Spring	Stainless steel
⑤	Lock cover	Aluminum alloy (anodized)
⑥	Lock piston seal	Synthetic rubber (NBR)
⑦	Lock cover O-ring	
⑧	Lock piston collar	Aluminum alloy (anodized)

Remark: For items other than the above, see the normal type on p.871.

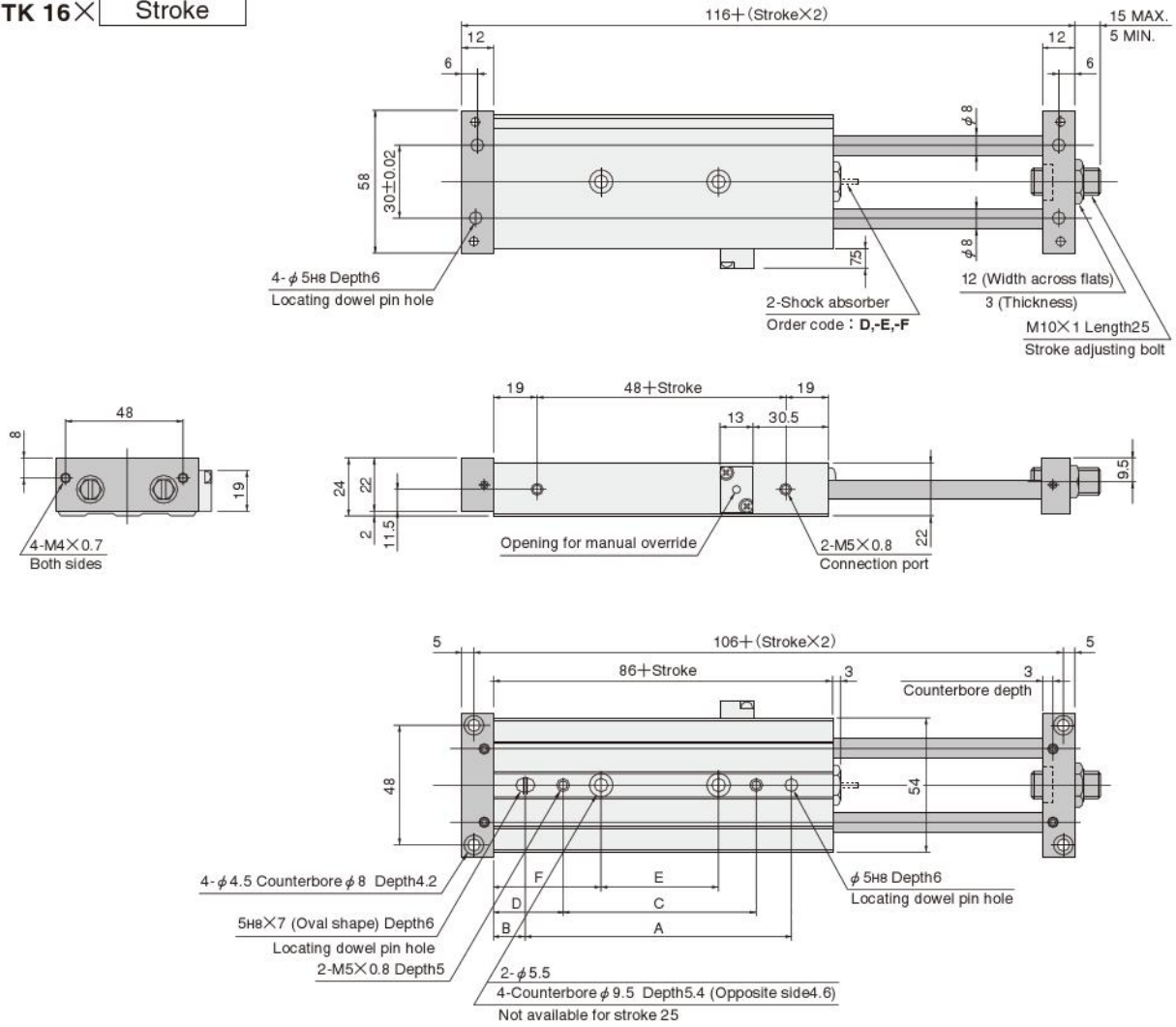
Mass

Model	Body mass								Additional mass		
	Stroke mm								Shock absorber For 2 pcs.	Mass of 1 sensor switch	
	25	50	75	100	125	150	175	200		CS9H, ZB430	CS3H, CS4H, CS5H
SUTK16 ×□	0.61 [1.35]	0.70 [1.54]	0.78 [1.72]	0.87 [1.92]	0.95 [2.09]	1.04 [2.29]	1.13 [2.49]	1.21 [2.67]	0.02 [0.04]	0.04 [0.09]	0.03 [0.07]
SUPK16 ×□	(0.62 [1.37])	(0.71 [1.57])	(0.80 [1.76])	(0.89 [1.96])	(0.97 [2.14])	(1.06 [2.34])	(1.15 [2.54])	(1.24 [2.73])			
SULK16 ×□	—	—	—	1.72 [3.79]	1.93 [4.26]	2.14 [4.72]	2.34 [5.16]	2.55 [5.62]	0.03 [0.07]	0.04 [0.09]	0.03 [0.04]
SUTK25 ×□	1.37 [3.02]	1.55 [3.42]	1.73 [3.81]	1.91 [4.21]	2.09 [4.61]	2.27 [5.01]	2.44 [5.38]	2.62 [5.78]			
SUPK25 ×□	(1.38 [3.04])	(1.56 [3.44])	(1.75 [3.86])	(1.93 [4.26])	(2.11 [4.65])	(2.29 [5.05])	(2.47 [5.45])	(2.65 [5.84])			
SULK25 ×□	—	—	—	3.26 [7.19]	3.61 [7.96]	3.97 [8.75]	4.32 [9.53]	4.68 [10.32]	0.03 [0.07]	0.04 [0.09]	0.03 [0.04]
				(3.28 [7.23])	(3.63 [8.00])	(3.99 [8.80])	(4.35 [9.59])	(4.71 [10.39])			

Remark: Figures in parentheses () are for sensor type.

Dimensions of Fixed Table Type with End Keep Mechanism (SUTK) (mm)

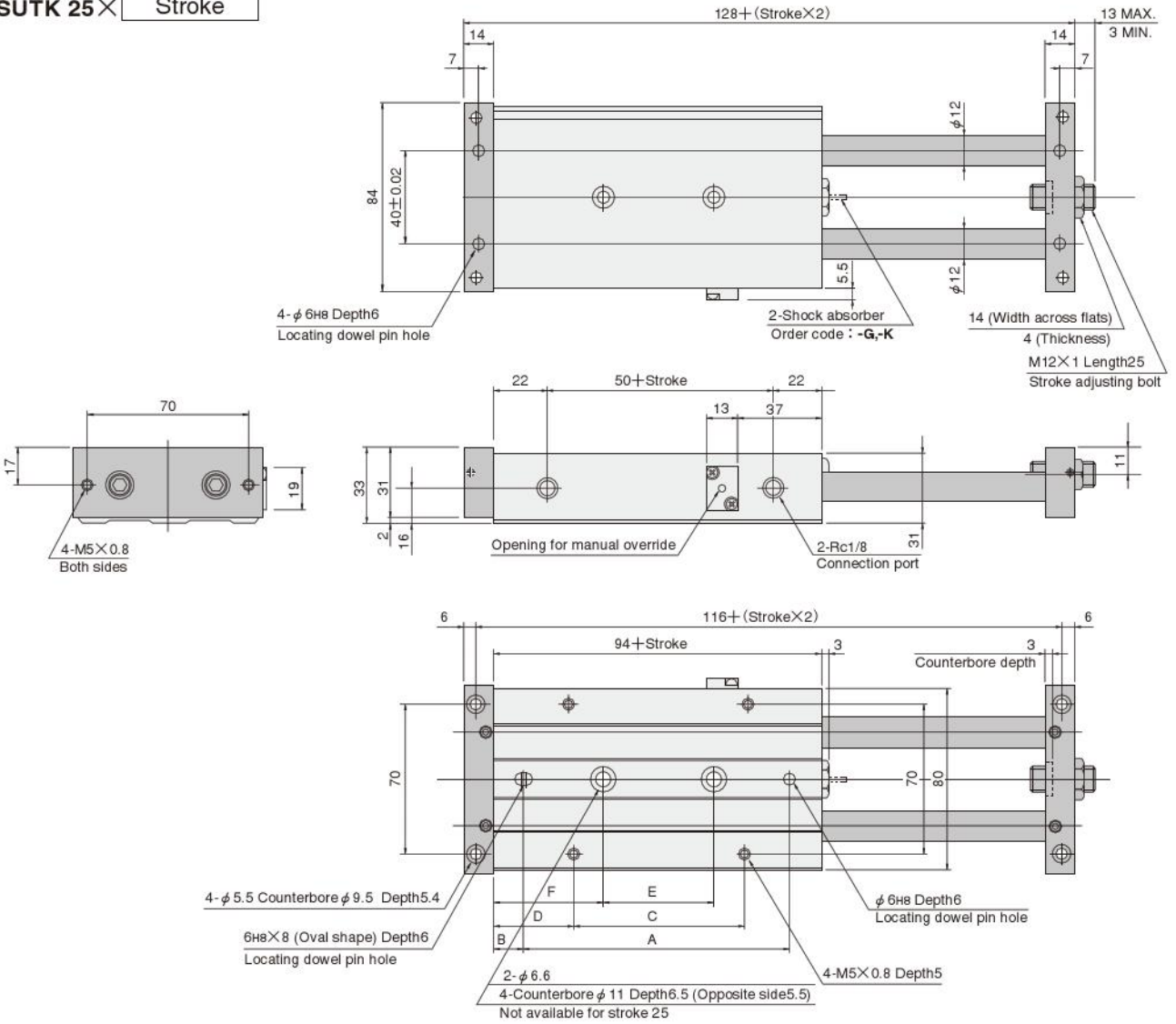
● SUTK 16 × Stroke



Stroke	Code	A	B	C	D	E	F
25		80	15.5	50	30.5	—	—
50		105	15.5	75	30.5	45	45.5
75		130	15.5	100	30.5	70	45.5
100		150	18	120	33	90	48
125		150	30.5	120	45.5	90	60.5
150		150	43	120	58	90	73
175		150	55.5	120	70.5	90	85.5
200		170	58	140	73	110	88

Remark: The drawings show locked end keep condition.

● SUTK 25 × Stroke



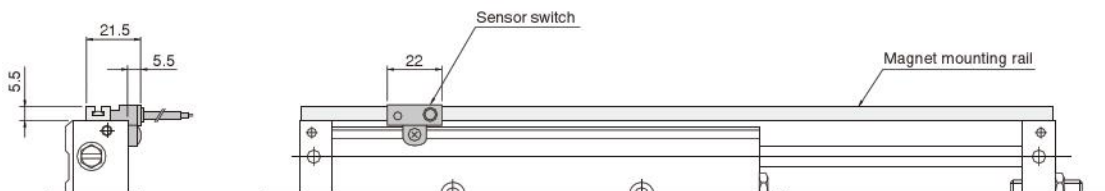
SLIDE UNITS

Stroke	Code	A	B	C	D	E	F
25		90	14.5	50	34.5	—	—
50		115	14.5	75	34.5	45	49.5
75		140	14.5	100	34.5	70	49.5
100		140	27	100	47	95	49.5
125		140	39.5	100	59.5	100	59.5
150		140	52	100	72	100	72
175		140	64.5	100	84.5	100	84.5
200		160	67	120	87	120	87

Remark: The drawings show locked end keep condition.

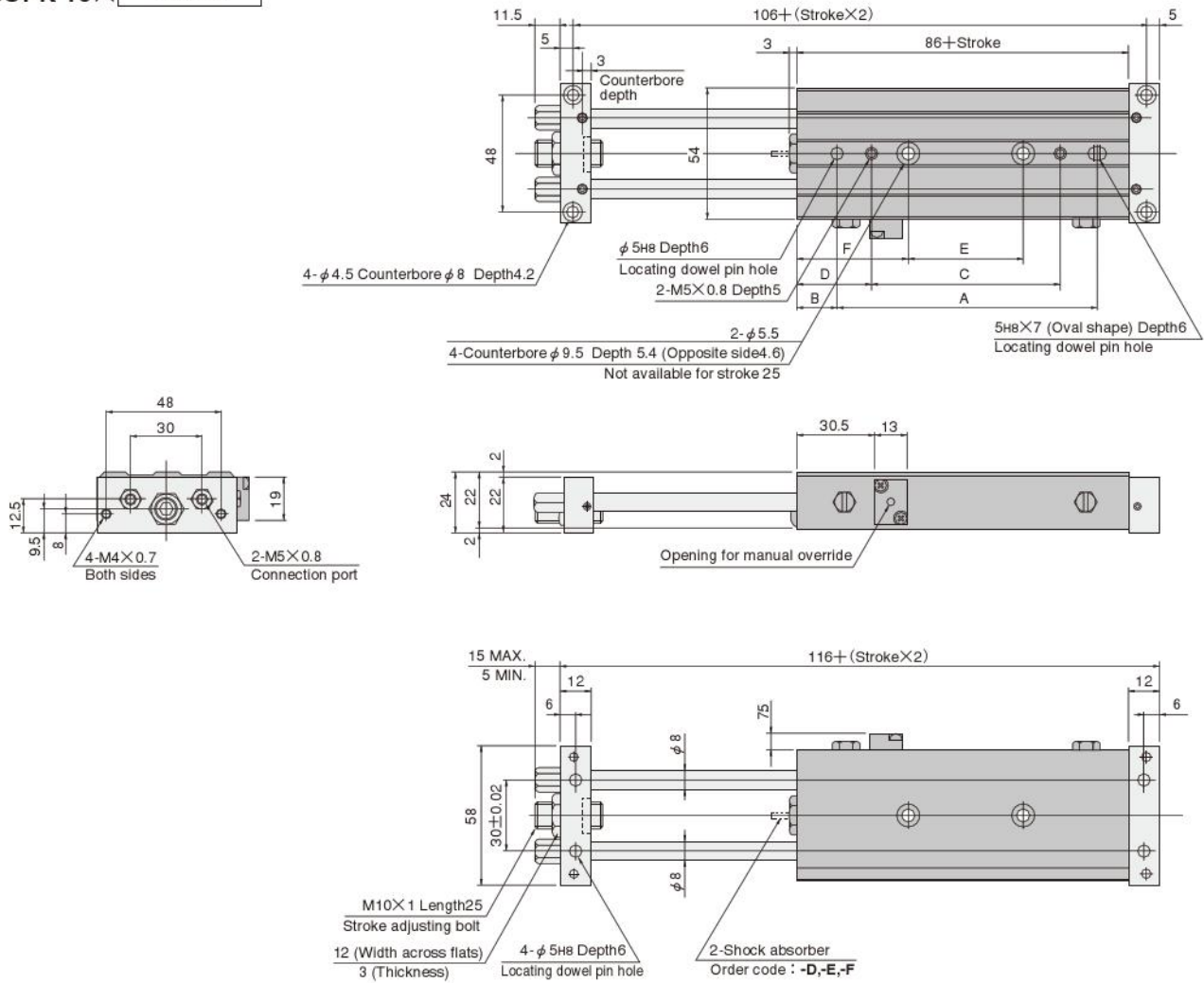
Option

● Sensor switches: CS9H, ZB430, CS3H, CS4H, CS5H



Dimensions of Fixed End Plate Type with End Keep Mechanism (SUPK) (mm)

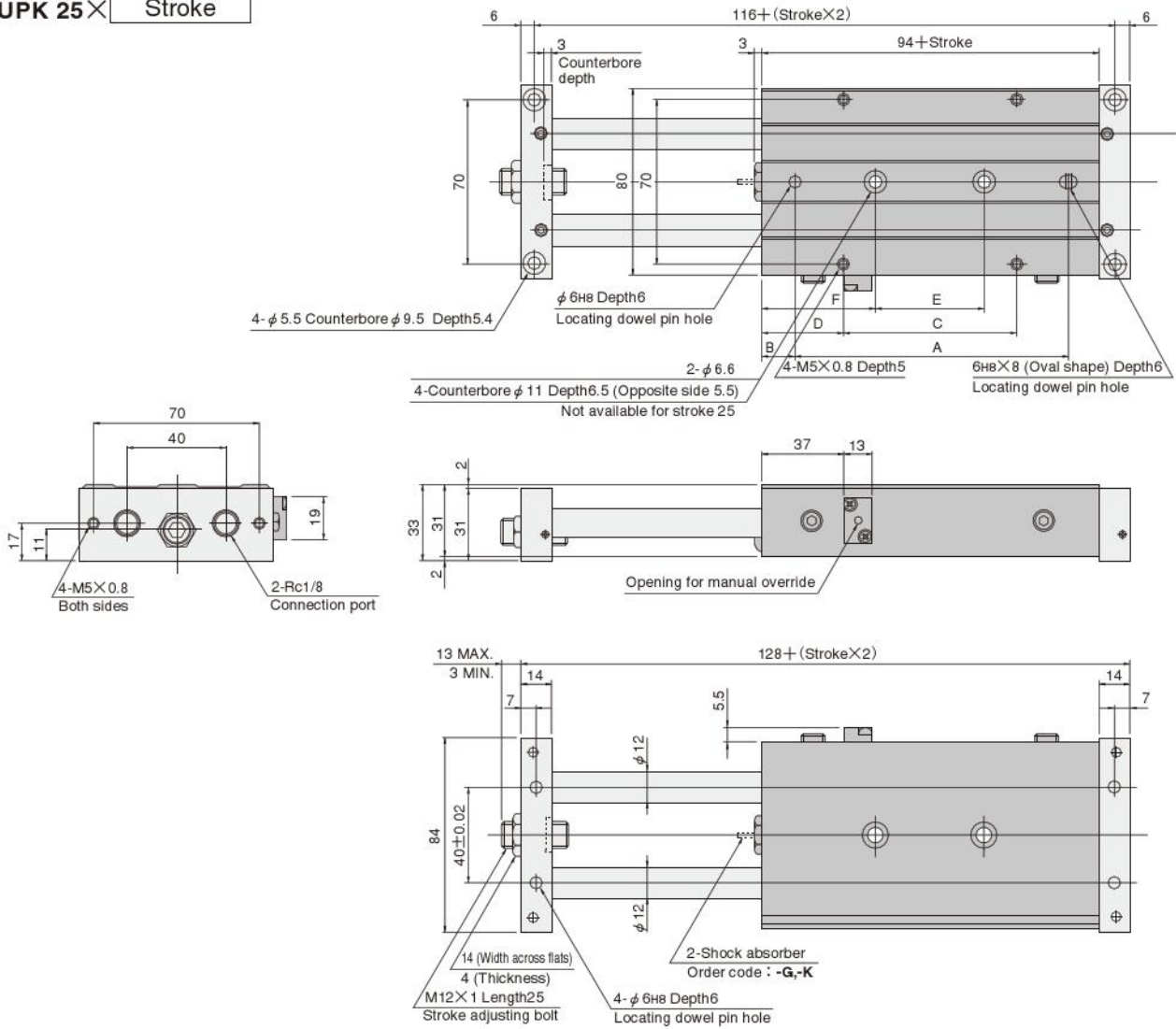
● SUPK 16 × Stroke



Stroke	Code	A	B	C	D	E	F
25		80	15.5	50	30.5	—	—
50		105	15.5	75	30.5	45	45.5
75		130	15.5	100	30.5	70	45.5
100		150	18	120	33	90	48
125		150	30.5	120	45.5	90	60.5
150		150	43	120	58	90	73
175		150	55.5	120	70.5	90	85.5
200		170	58	140	73	110	88

Remark: The drawings show locked end keep condition.

● SUPK 25 × Stroke



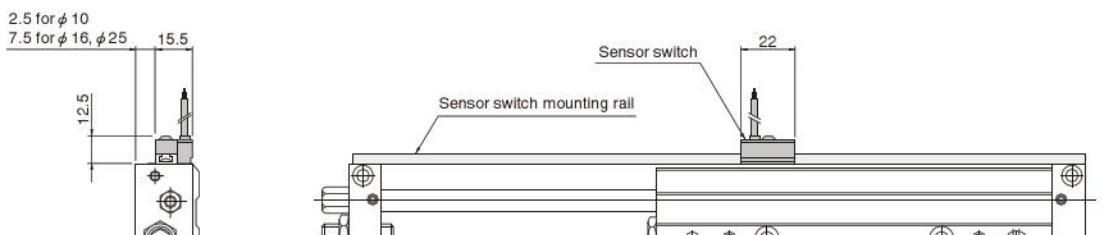
SLIDE UNITS

Stroke	Code	A	B	C	D	E	F
25		90	14.5	50	34.5	—	—
50		115	14.5	75	34.5	45	49.5
75		140	14.5	100	34.5	70	49.5
100		140	27	100	47	95	49.5
125		140	39.5	100	59.5	100	59.5
150		140	52	100	72	100	72
175		140	64.5	100	84.5	100	84.5
200		160	67	120	87	120	87

Remark: The drawings show locked end keep condition.

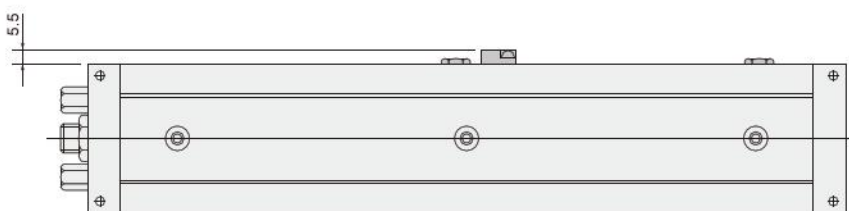
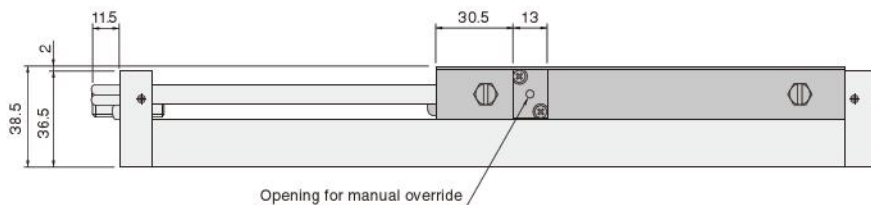
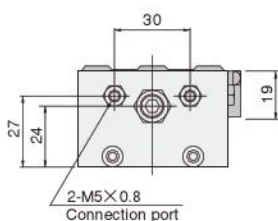
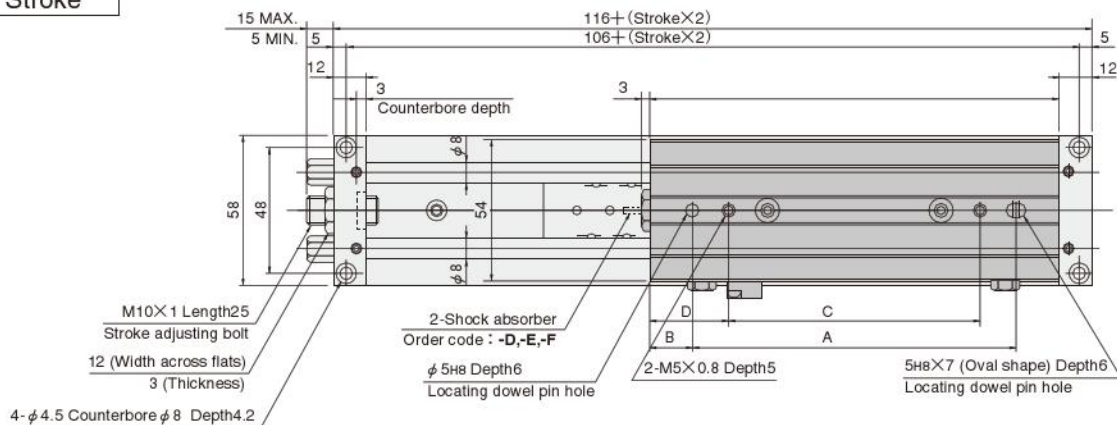
Option

● Sensor switches: CS9H, ZB430, CS3H, CS4H, CS5H



Dimensions of Fixed Rail-on Plate Type with End Keep Mechanism (SULK) (mm)

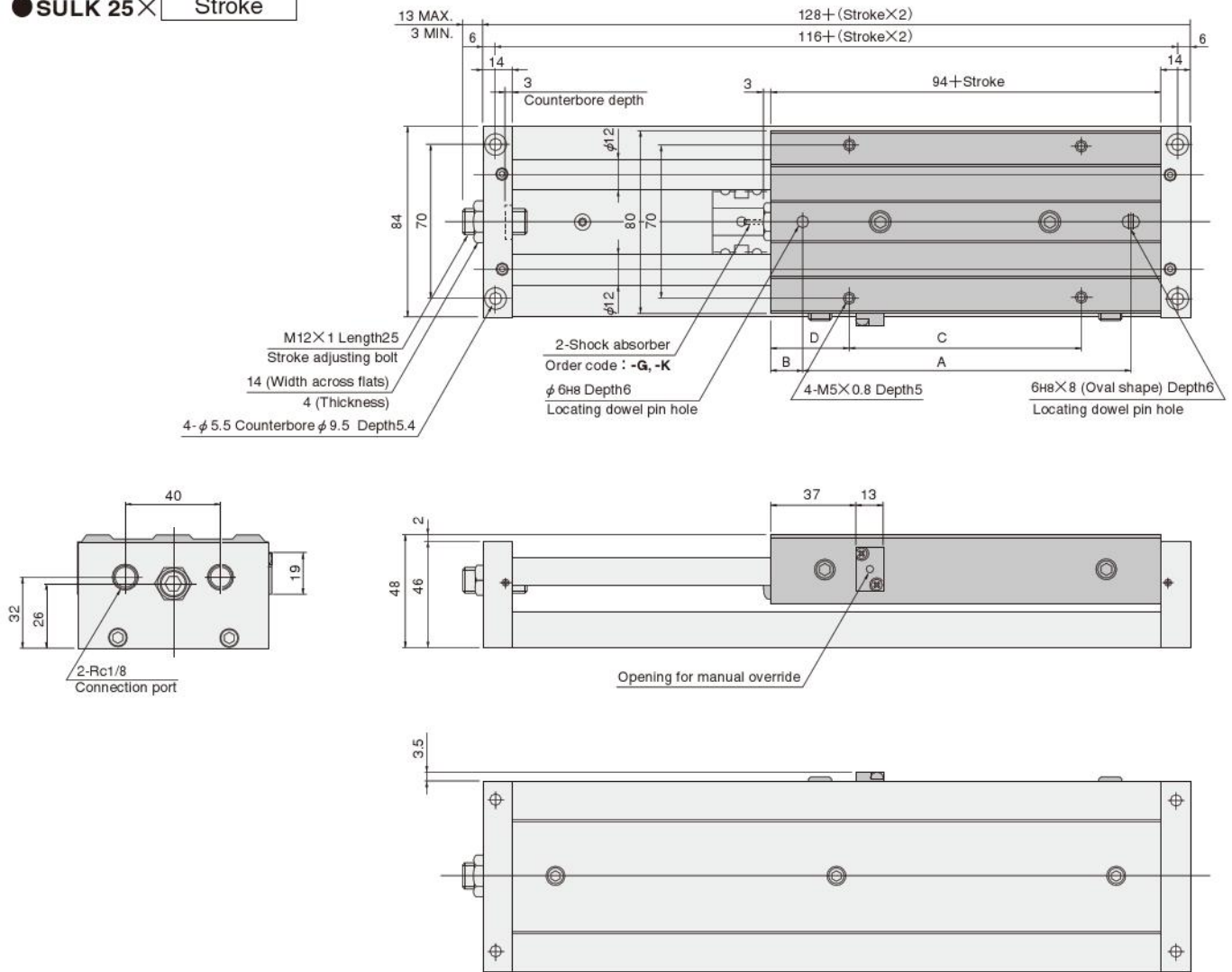
● SULK 16 × Stroke



Stroke \ Code	A	B	C	D
100	150	18	120	33
125	150	30.5	120	45.5
150	150	43	120	58
175	150	55.5	120	70.5
200	170	58	140	73

Remark: The drawings show locked end keep condition.

● **SULK 25** × Stroke



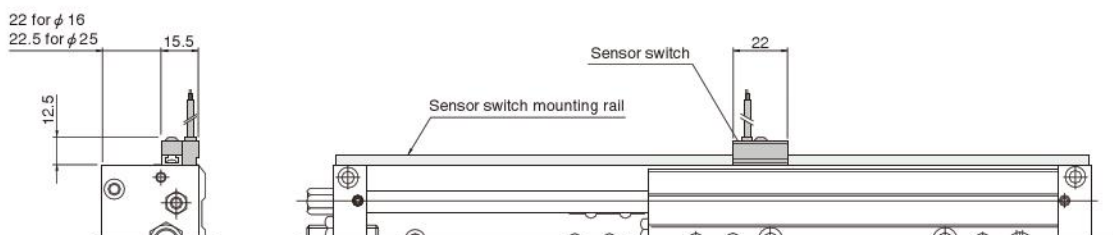
SLIDE UNITS

Stroke	Code	A	B	C	D
100		140	27	100	47
125		140	39.5	100	59.5
150		140	52	100	72
175		140	64.5	100	84.5
200		160	67	120	87

Remark: The drawings show locked end keep condition.

Option

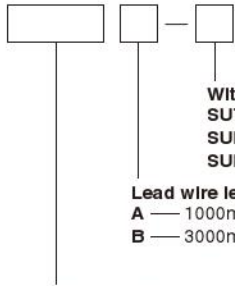
● **Sensor switches: CS9H, ZB430, CS3H, CS4H, CS5H**



SENSOR SWITCHES

Solid State Type, Reed Switch Type

Order Codes



With mounting screw for Slide Unit
SUTS—Fixed table type
SUPS—Fixed end plate type
SULS—Fixed rail-on plate type

Lead wire length
A — 1000mm [39in.]
B — 3000mm [118in.]

Sensor switch (For sensor type)

CS9H — 3-lead wire solid state type	with indicator lamp	DC4~28V
ZB430 — 2-lead wire solid state type	with indicator lamp	DC10~28V
CS3H — Reed switch type	with indicator lamp	DC10~28V AC85~115V
CS4H — Reed switch type	with indicator lamp	DC10~28V AC85~115V
CS5H — Reed switch type	without indicator lamp	DC3~30V AC85~115V

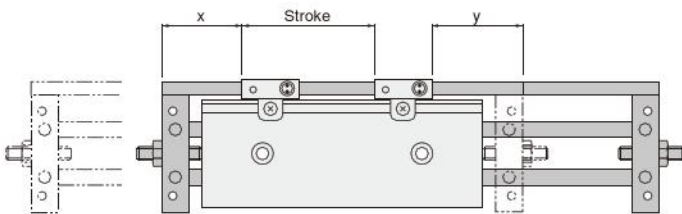
Note: The standard Slide Unit is not equipped with a magnet for sensor switch.

● For details of sensor switches, see p.1544.

Mounting Location of End of Stroke Detection Sensor Switch

When the sensor switch is mounted in the locations shown below (the figures in the tables are reference values), the magnet comes to the maximum sensing location of the sensor switch at the end of the stroke.

Fixed table type (SUTS, SUTKS)

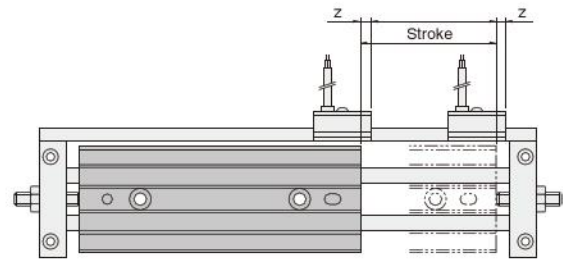


Bore size	x	y	z
10 [0.394] ^{Note}	30 [1.181]	36 [1.417]	4 [0.157]
16 [0.630]	34.5 [1.358] (44 [1.732])	40.5 [1.594] (50 [1.969])	4 [0.157]
25 [0.984]	40.5 [1.594] (50 [1.969])	46.5 [1.831] (56 [2.205])	4 [0.157]

Note: Not available for types with end keep mechanism.

Remark: Values in parentheses () are values for types with end keep mechanism.

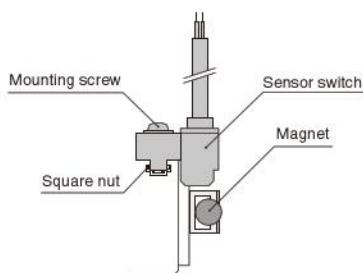
Fixed end plate type (SUPS, SULS, SUPKS, SULKS)



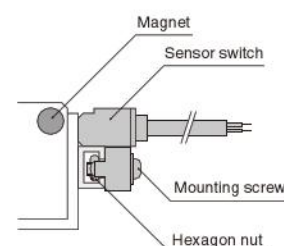
Moving Sensor Switch

- Loosening the mounting screw allows the sensor switch to be moved along the mounting groove.
- Tighten the mounting screw with a tightening torque of 19.6N·cm [1.7in·lbf] or less.

Fixed table type (SUTS, SUTKS)



Fixed end plate type (SUPS, SULS, SUPKS, SULKS)



Sensor Switch Operating Range, Response Differential, and Maximum Sensing Location

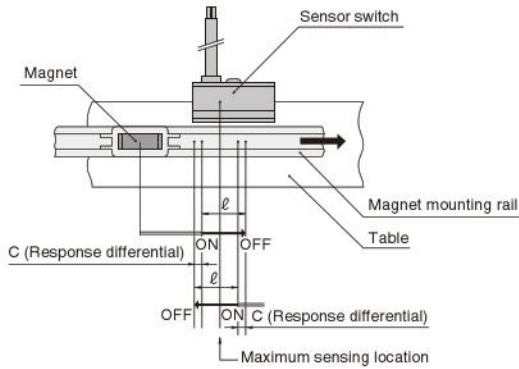
● **Operating range: ℓ**

The distance the piston travels in one direction, while the switch is in the ON position.

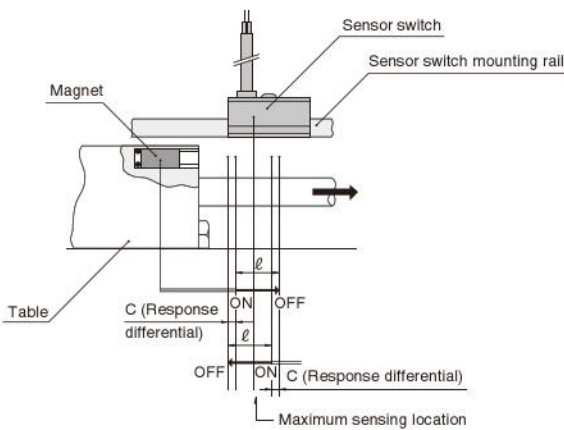
● **Response differential: C**

The distance between the point where the piston turns the switch ON and the point where the switch is turned OFF as the piston travels in the opposite direction.

Fixed table type (SUTS, SUTKS)



Fixed end plate type (SUPS, SULS, SUPKS, SULKS)



Item \ Type	Solid state type		Reed switch type	
	CS9H	ZB430	CS3H, CS4H, CS5H	
Bore size	10, 16, 25 [0.394, 0.630, 0.984]		10 [0.394]	16, 25 [0.630, 0.984]
Operating range: ℓ	3.2~3.5 [0.126~0.138] TYP (25°C [77°F])	3.2~3.5 [0.126~0.138] TYP (25°C [77°F])	5.5~8.0 [0.217~0.315]	6.0~8.5 [0.236~0.335]
Response differential: C	0.7 [0.028] MAX (25°C [77°F])		2 [0.079]	
Maximum sensing location ^{Note}	8 [0.315]			

Remark: The above table shows reference values.

Note: This is the length measured from the switch's opposite end side to the lead wire.

Handling Instructions and Precautions



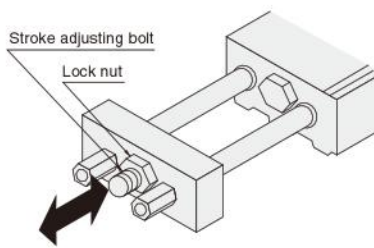
Mounting and adjustment

Mounting

1. While any mounting direction is allowed, the mounting surface should always be flat. Twisting or bending in the table or plate during mounting may disturb the accuracy and may also result in air leaks or improper operation.
2. Care should be taken that scratches or dents on the mounting surface of the table and/or plate may damage its flatness.
3. Use JIS B 1354 straight pins to locate the table and the plate.
4. In applications with high load ratios or speeds of 200mm/s [7.9in./sec.] or higher, either select a unit with a shock absorber or use an externally mounted shock absorber.

Stroke adjustment

In the Slide Unit, the stroke is easily adjustable. Loosening the lock nut and turning the stroke adjusting bolt to the right (clockwise) shortens the stroke. Turning it to the left (counterclockwise) lengthens the stroke. After adjustment, tighten the lock nut and secure it in place.



Model	Stroke adjusting range	Stroke changes (per 1 rotation)
SUT10×□, SUP10×□ SUL10×□	±10 [±0.394]	0.8 [0.031]
SUT(K)16×□, SUT(K)25×□ SUP(K)16×□, SUP(K)25×□ SUL(K)16×□, SUL(K)25×□	±10 [±0.394] (±5 [0.197])	1 [0.039]

Remark: Figures in parentheses () are for types with end keep mechanism (one side only).

Allowable lateral load

When applying a lateral load on the plate in the fixed table type, keep the load at or below the values in the table below.

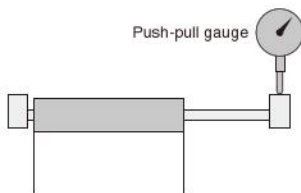
Model	Stroke mm	25	50	75	100	125	150	175	200
SUT10×□		1.34 [0.301]	0.93 [0.209]	0.71 [0.160]	0.58 [0.130]	—	—	—	—
SUT(K)16×□		3.06 [0.688]	2.12 [0.477]	1.62 [0.364]	1.31 [0.294]	1.11 [0.250]	0.95 [0.214]	0.83 [0.187]	0.75 [0.169]
SUT(K)25×□		8.40 [1.888]	5.92 [1.331]	4.57 [1.027]	3.72 [0.836]	3.14 [0.706]	2.71 [0.609]	2.38 [0.535]	2.13 [0.479]

Remark: These are reference values, not guaranteed values.

Piston rod deflection

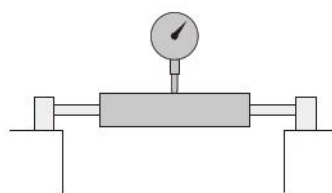
Applying load on the table or plate can cause deflection in the piston rod. For the amount of the deflection, use the table below as a guide.

● Fixed table type (SUT, SUTK)



Model	Load N [lbf.]	Stroke	
		100	200
SUT10×□	2.0 [0.45]	0.11 [0.0043]	—
	2.9 [0.65]	0.16 [0.0063]	—
	4.9 [1.10]	0.27 [0.0106]	—
SUT(K)16×□	4.9 [1.10]	0.07 [0.0028]	0.44 [0.0173]
	9.8 [2.20]	0.15 [0.0059]	0.88 [0.0346]
	14.7 [3.30]	0.22 [0.0087]	1.32 [0.0520]
SUT(K)25×□	9.8 [2.20]	0.03 [0.0012]	0.18 [0.0071]
	14.7 [3.30]	0.05 [0.0020]	0.27 [0.0106]
	24.5 [5.51]	0.08 [0.0031]	0.45 [0.0177]

● Fixed end plate type (SUP, SUPK)



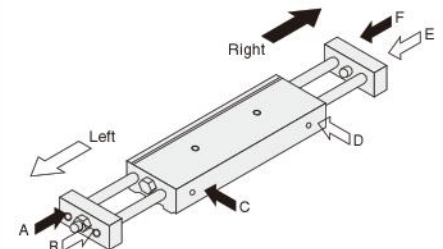
Model	Load N [lbf.]	Stroke	
		100	200
SUP10×□	2.0 [0.45]	0.02 [0.0008]	—
	4.9 [1.10]	0.04 [0.0016]	—
	9.8 [2.20]	0.07 [0.0028]	—
SUP(K)16×□	9.8 [2.20]	0.02 [0.0008]	0.12 [0.0047]
	19.6 [4.41]	0.05 [0.0020]	0.25 [0.0098]
	29.4 [6.61]	0.07 [0.0028]	0.37 [0.0146]
SUP(K)25×□	19.6 [4.41]	0.01 [0.0004]	0.05 [0.0020]
	29.4 [6.61]	0.01 [0.0004]	0.08 [0.0031]
	49 [11.0]	0.02 [0.0008]	0.13 [0.0051]



Piping

Piping location and operating direction

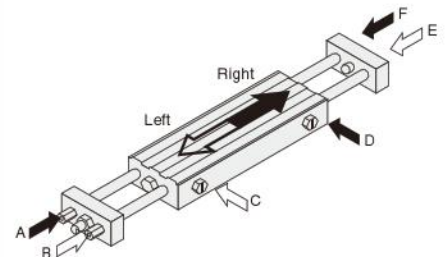
● Fixed table type (SUT, SUTK)



When supplying air to the C port, the piston rod and end plate move to the right. When supplying air to the D port, they move to the left. While the unit can also be used by plugging C, D ports, and plumbing A, B, E, F ports, consult us since such configuration needs special adapters and plugs, etc. (In this case, when supplying air to A, F ports, the piston rod and end plate move to the right. When supplying air to B, E ports, they move to the left.)

● Fixed end plate type (SUP, SUPK)

● Fixed rail-on plate type (SUL, SULK)



When supplying air to the A port, the table moves to the right. When supplying air to the B port, it moves to the left. While the unit can also be used by plugging A, B ports, and plumbing C, D, E, F ports, consult us since such configuration requires special plugs, etc. (In this case, when supplying air to D, F ports, the table moves to the right, when supplying to C, E ports, it moves to the left.)

Cautions: 1. Always thoroughly blow off (use compressed air) the tubing before connecting it to the Slide Unit. Entering chips, sealing tape, rust, etc., generated during piping work could result in air leaks or other defective operation.

2. When piping to moving portions, be careful about bending or folding tubes. Excessive bending or repeated folding may damage the tubes or fittings.



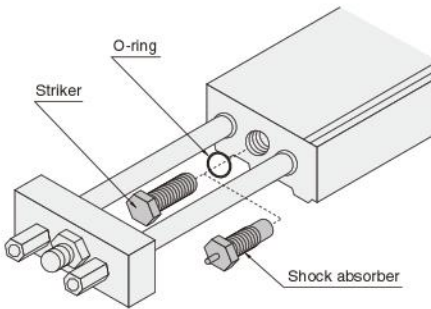
Shock absorber

Selection

The absorbing capacity of the shock absorber built into the Slide Unit is a fixed type. From the graph below, select the shock absorber with the optimum absorbing capacity (see the table below).

Replacements

If the load and operating speed have been changed, replace the shock absorber with one that has the appropriate absorbing capacity.



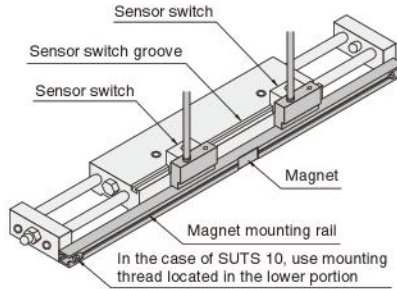
- Cautions:**
1. Be careful to avoid scratching the piston rod when detaching the shock absorber or striker.
 2. Always attach O-rings when mounting the shock absorber or striker to the slide table.
 3. Never use the unit when the shock absorber or striker is removed.
 4. Do not loosen or remove the mounting screw on the rear surface of the shock absorber. Oil sealed inside could leak, damaging the shock absorber function.



Sensor switches

● Fixed table type (SUTS, SUTKS)

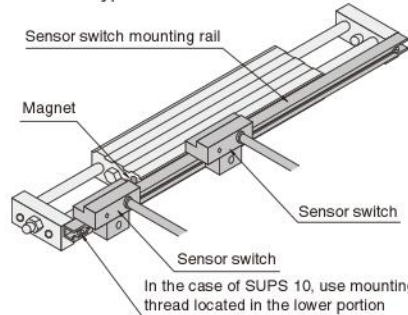
Can be used as a sensor type by installing a magnet mounting rail. If a magnet mounting rail is required, consult us.



● Fixed end plate type (SUPS, SUPKS)

Fixed rail-on plate type (SULS, SULKS)

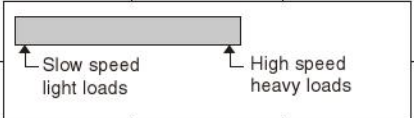
The magnet for sensor switch is not built into the standard type. When mounting a sensor switch is required, always order the sensor type.



- Cautions:**
1. For the sensor switch mounting location and moving instructions, see p.887.
 2. Contact protection is needed when the sensor switch is connected to inductive loads or when capacitive surges occur. For contact protection, see p.1566.

Shock absorber selection guide

Model	Code Model Absorbing capacity J	Air pressure MPa [psi.]				
		-D	-E	-F	-G	-K
		KSHA6×8-D-X	KSHA6×8-E-X	KSHA6×8-F-X	KSHA7×8-G-X	KSHA7×8-K-X
		1.0	2.0	2.9	3.9	4.9 5.9
SUT16×□	0.4 [58]		■			
SUTK16×□	0.5 [73]		■			
SUP16×□	0.6 [87]		■			
SUPK16×□	0.7 [102]		■			
SUL16×□	0.4 [58]		■			
SULK16×□	0.5 [73]		■			
	0.6 [87]		■			
	0.7 [102]		■			
SUT25×□	0.4 [58]			■		
SUTK25×□	0.5 [73]			■		
SUP25×□	0.6 [87]			■		
SUPK25×□	0.7 [102]			■		
SUL25×□	0.4 [58]			■		
	0.5 [73]			■		
	0.6 [87]			■		
	0.7 [102]			■		



1J = 0.7376ft·lbf



Control circuit for types with end keep mechanism

1. For control of the Slide Units with end keep mechanisms, we recommend the use of 2-position, 4-, 5-port valves. Avoid the use of control circuit with ABR connection (exhaust center) 3-position valves that exhaust air from 2 delivery ports.
2. Always use meter-out control for speed control. Meter-in control may result in failure of the locking mechanism to release.
3. Always set the air pressure to 0.2MPa [29psi.] or more.

- Cautions :**
1. It is dangerous to supply air to a connection port on a side with a locking mechanism while the cylinder has already been exhausted, because the piston rod may suddenly extend (or retract). In addition, since the lock piston could also cause galling of the lock piston and piston rod, resulting in defective operation. Always supply air to the connection port opposite the adjacent to the locking mechanism to ensure applying back pressure.
 2. When restarting operations after air has been exhausted from the cylinder due to completion of operations or to an emergency stop, always start by supplying air to the connection port opposite the adjacent to the locking mechanism.
 3. Connect the valve port A (NC) to the connection port on the side with the locking mechanism.



Installation and adjustment of types with end keep mechanism

Avoid using an external stopper, etc., to adjust the stroke on the side of the locking mechanism, since it becomes unable to make the end keep lock.

Stroke adjustment on the side without the locking mechanism is allowed within a range of $\pm 5\text{mm}$ [$\pm 0.197\text{in.}$].



Manual operation for types with end keep mechanism

While the locking mechanism is normally released automatically through cylinder operations, it can also be released manually. For manual release, insert an M3×0.5 screw that has 30mm [1.18in.] screw length into the opening for manual override, thread it in about 3 turns into the internal lock piston, and then pull up the screw. To maintain the manual override for adjustment, etc., thread the locknut onto the screw and, with the locking mechanism in a released state, tighten the locknut against the cylinder.

- Cautions :**
1. It is dangerous to release the lock when load (weight) is present on the piston rod, because it may cause the unintended piston rod's extension (or retraction). In this case, always supply air to the connection port opposite the one adjacent to the locking mechanism before releasing the locking mechanism.
 2. If the locking mechanism cannot easily be released even with manual override, it could be the result of galling of the lock piston and piston rod. In this case, supply air to the connection port opposite the one adjacent to the locking mechanism before releasing the locking mechanism.
 3. Water, oil, dust, etc., intruding through the opening for manual override may be a cause of defective locks or other erratic operation. If using in locations subject to dripping water, dripping oil, etc., or large amounts of dust, use a cover to protect the unit.



General precautions

Media

1. Use air for the media. For the use of any other media, consult us.
2. Air used for the cylinder should be clean air that contains no deteriorated compressor oil, etc. Install an air filter (filtration of a minimum 40 μm) near the cylinder or valve to remove collected liquid or dust. In addition, drain the air filter periodically. Collected liquid or dust entering the cylinder may cause improper operation.

Lubrication

The product can be used without lubrication, if lubrication is required, use Turbine Oil Class 1 (ISO VG32) or equivalent. Avoid using spindle oil or machine oil.

Atmosphere

1. If using in locations subject to dripping water, dripping oil, etc., or to large amounts of dust, use a cover to protect the unit.
2. The product cannot be used when the media or ambient atmosphere contains any of the substances listed below. Organic solvents, phosphate ester type hydraulic oil, sulphur dioxide, chlorine gas, or acids, etc.