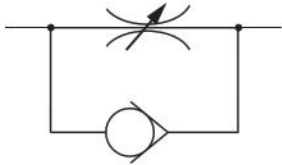


SPEED CONTROLLERS SCL SERIES

Male thread, R1/8, R1/4
Female thread, Rc1/8, Rc1/4

- Compact and lightweight, optimum for Slim Cylinders, etc.
- Enables direct connection to cylinder connection ports, eliminating the piping work and materials.
- Can install L shaped piping to maintain compact piping setups.

Symbol



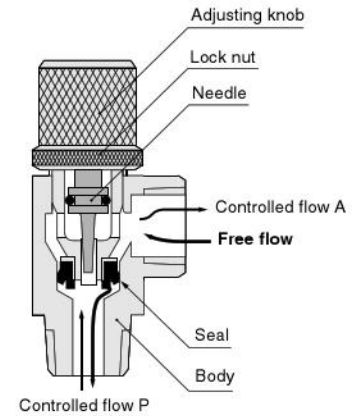
SCL1

SCL2

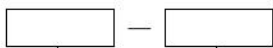
Specifications

Item	Model	SCL1	SCL2
Mounting type		Male thread specification, enabling direct cylinder mounting	
Port size		R1/8 Controlled flow P: male thread A: female thread Rc1/8	R1/4 Controlled flow P: male thread A: female thread Rc1/4
Media		Air	
Operating pressure range	MPa [psi.]	0~0.9 [0~131]	
Proof pressure	MPa [psi.]	1.32 [191]	
Cracking pressure	MPa [psi.]	0.06 [8.7]	
Operating temperature range	°C [°F]	5~60 [41~140]	
Mass	g [oz.]	46 [1.62]	125 [4.41]
Materials	Body	Brass (nickel plated)	
	Needle	Stainless steel	
	Seal	Synthetic rubber (NBR)	

Inner Construction and Major Parts



Order Codes

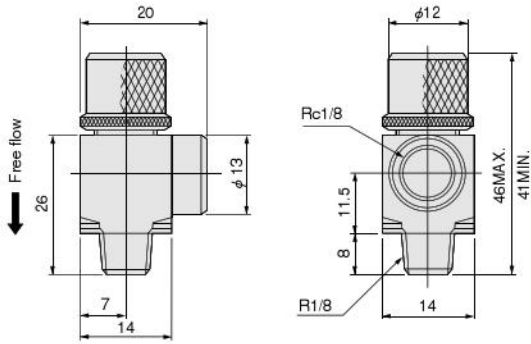


Model
SCL1
SCL2

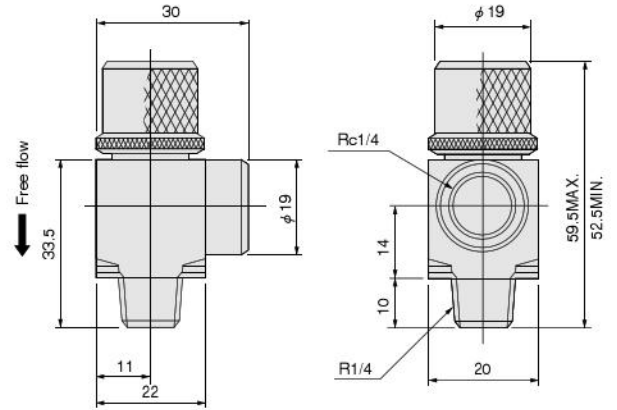
Non-ion specification
Blank — Standard specification
NCU — Non-ion specification

Dimensions (mm)

● SCL1

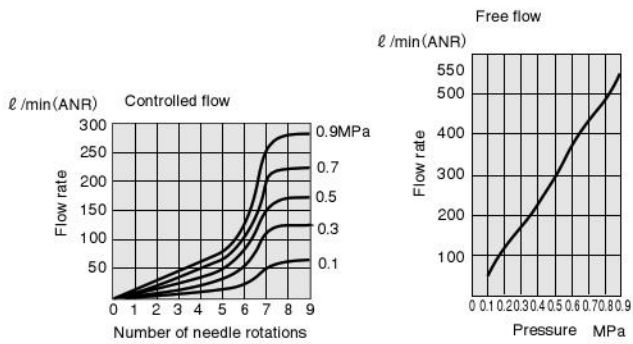


● SCL2



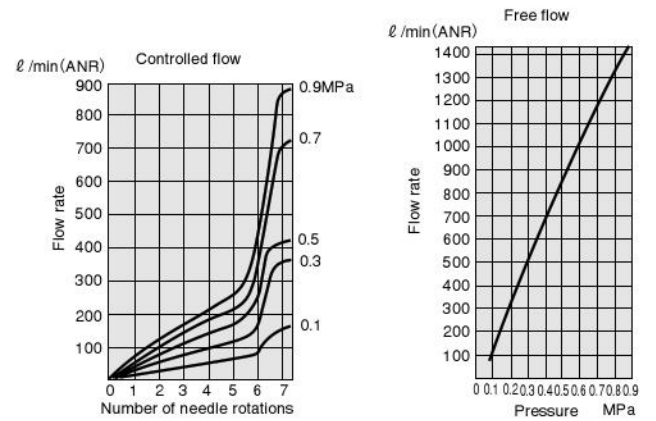
Flow Rate Characteristics

● SCL1



1 MPa = 145 psi. 1 ℓ/min = 0.0353 ft³/min

● SCL2



1 MPa = 145 psi. 1 ℓ/min = 0.0353 ft³/min.