

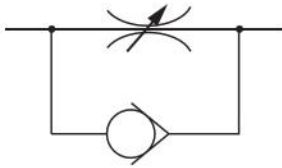
# SPEED CONTROLLERS

## SC SERIES

**M5×0.8**

- Compact and lightweight—perfect for pen cylinders, jig cylinders, and slim cylinders.

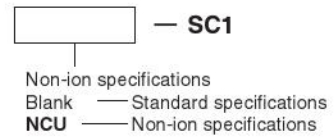
### Symbol



### Specifications

Item	Model	SC1
Piping type		Female thread
Port size		M5×0.8
Operating pressure range MPa [psi]		0~0.9 [0~131]
Proof pressure MPa [psi]		1.32 [191]
Cracking pressure MPa [psi]		0.04 [6]
Operating temperature range °C [°F]		5~60 [41~140]
Mass g [oz]		88 [3.104]

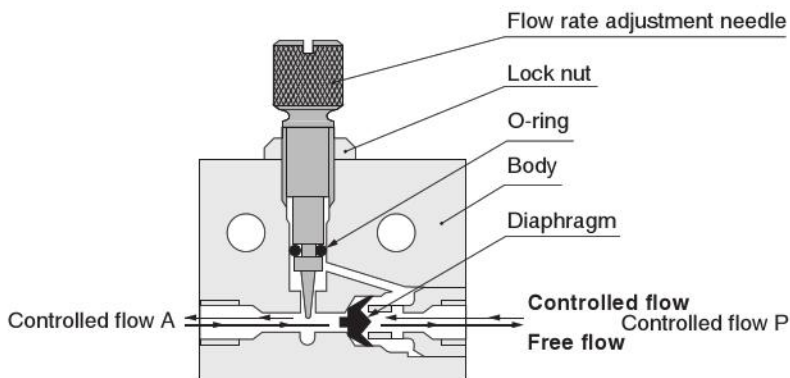
### Order Codes



SC1

### Inner Construction and Major Parts

#### ●SC1



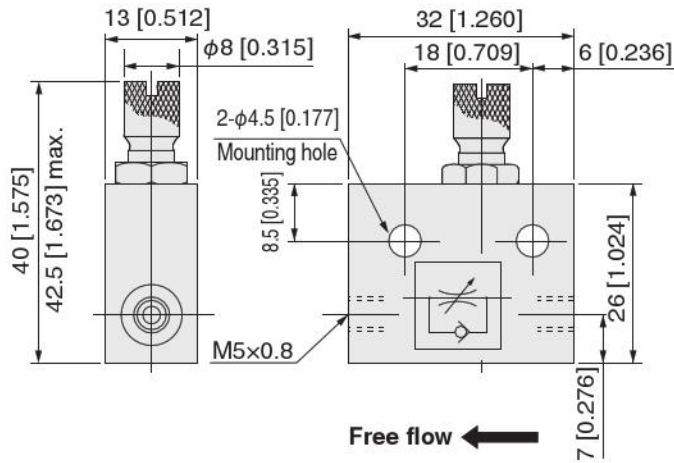
### Major Parts and Materials

Name	Material
Body	Brass (nickel plated) <sup>Note</sup>
Needle	Stainless steel
Lock nut	Brass (nickel plated)
Check valve	Synthetic rubber (NBR)
O-ring	
Flow rate adjustment needle	Brass (nickel plated)

Note: SC2 is aluminum alloy (anodized)

## Dimensions mm [in]

### ● SC1



## Flow Rate Characteristics

### ● SC1

