

Mark-free Non-contact Transfer Components NCTN Series

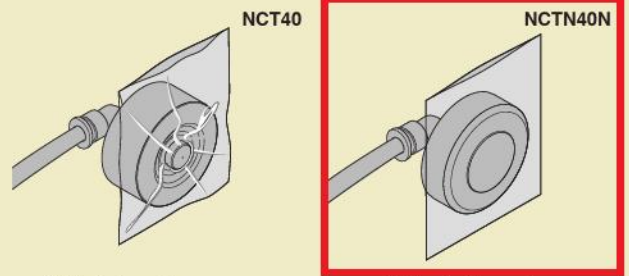
Application examples

Soft foods (bread dough, mochi, fish cakes, etc.) and thin materials (paper, cloth, plastic bags, etc.) will leave marks by vacuum suction.



NCTN Series will improve this issue!

Work piece: Plastic bag



With deformation

Without deformation

● The NCTN series can also be used as a replacement for conventional non-contact transport equipment NCT series.

Order Codes

● Main unit

NCTN □ □

Size

- 10 : ϕ 10 [0.394]
- 20 : ϕ 20 [0.787]
- 30 : ϕ 30 [1.181]
- 40 : ϕ 40 [1.575]
- 60 : ϕ 60 [2.362]
- 80 : ϕ 80 [3.150]

Suction contact part
N: No contact part
GR1: Flat surface contact part

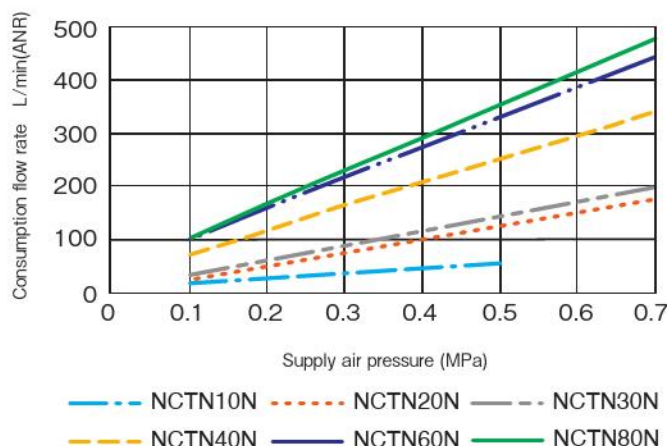
**Mark-free
Non-contact Transfer Components**

Specifications

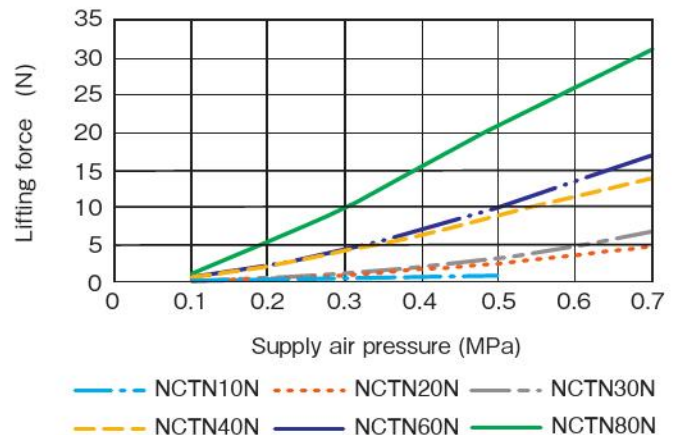
Item	Model					
	NCTN10N NCTN10GR1	NCTN20N NCTN20GR1	NCTN30N NCTN30GR1	NCTN40N NCTN40GR1	NCTN60N NCTN60GR1	NCTN80N NCTN80GR1
Media	Air					
Port size	M3x0.5	M5x0.8		RC1/8		
Operating pressure range MPa [psi.]	0.1 ~ 0.5 [15 to 73]		0.1 to 0.7 [15 to 102]			
Operating temperature range °C[°F]	5 to 60 [41 to 140]					
Lifting force ^{Note} N[lbf]	0.9 [0.20]	2.5 [0.56]	3.3 [0.74]	9.0 [2.02]	10 [2.25]	21 [4.72]
Consumption flow rate ^{Note} L/min [ft.3/min.] (ANR)	65 [2.30]	130 [4.59]	150 [5.30]	250 [8.83]	330 [11.65]	350 [12.36]
Mass g [oz.]	10 [0.35]	30 [1.06]	68 [2.40]	124 [4.43]	359 [12.66]	610 [21.52]
Material of main parts	Stainless steel					

Notes: ϕ 10, 20, 30 use ϕ 4x ϕ 2.5 tubes of length 1000mm [39in.] applied with 0.5MPa [73psi.] air.
 ϕ 40, 60, 80 use ϕ 6x ϕ 4 tubes of length 1000mm [39in.] applied with 0.5MPa [73psi.] air.
 : Lifting capacity is based on our test conditions. Lifting capacity varies depending on the shape of the workpiece, etc, so please confirm with the actual workpiece before use and select accordingly.

Consumption Flow Rate Graph

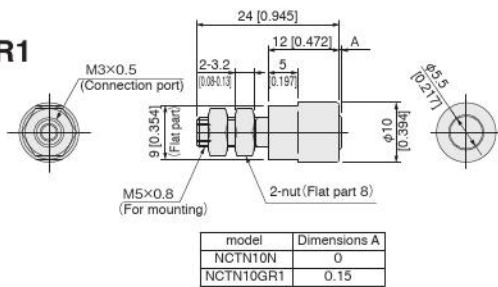


Lifting Force Graph

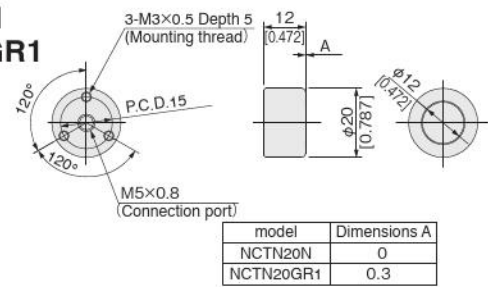


Dimensions (mm[in.])

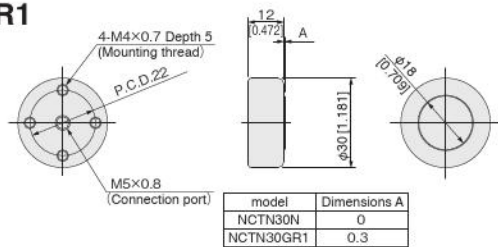
NCTN10N NCTN10GR1



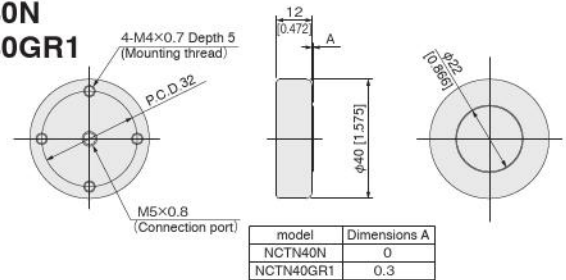
NCTN20N NCTN20GR1



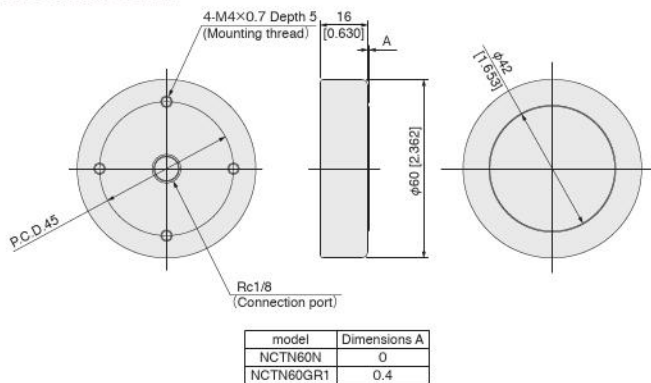
NCTN30N NCTN30GR1



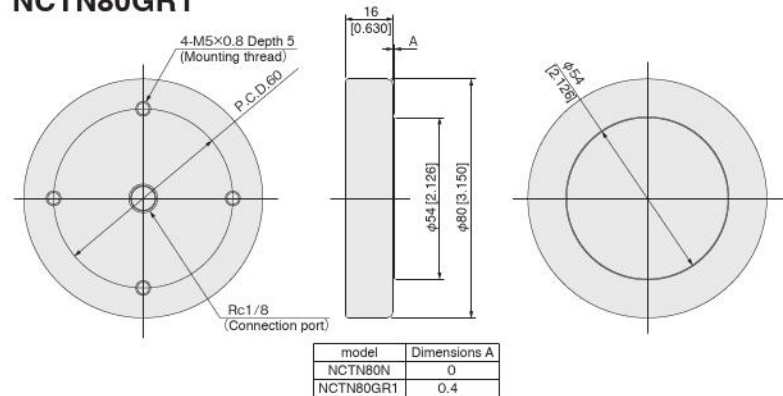
NCTN40N NCTN40GR1



NCTN60N NCTN60GR1



NCTN80N NCTN80GR1



The NCT series also now comes with diameters sizes of $\phi 10$ and $\phi 80$!
For more details, please contact your nearest sales office!

Handling Instructions and Precautions



General precautions

Mounting

1. Always thoroughly blow off (use compressed air) or air blowing the tubing before piping to the non-contact transfer component. Entering chips, sealing tape, rust, etc., produced during plumbing could lead to a deterioration of performance, or to functional shutdown due to clogging.
2. When mounting the non-contact transfer component, take care to avoid blocking the jet flow. Such blockage could result in defective picking up.
3. If using more than one non-contact transfer component in parallel, mount the non-contact transfer components with enough space in between them that they do not interfere with each other's jet flow. Moreover, mount them along the same surface so that no height differences between mounting surfaces occur. Such differences could result in defective picking up.

Media

1. Use air for the media. For the use of any other media, consult us.
2. Use clean air that does not contain deteriorated compressor oil or other contaminants. Install an air filter (with filtration of a minimum $0.01 \mu\text{m}$) close to the valve to eliminate any airline condensate or dust. Use of air containing particles or oil can result in degradation of performance, or to functional shutdown due to clogging.

Atmosphere

The product cannot be used when the media or the ambient atmosphere contains any of the substances listed below. Organic solvents, phosphate ester type hydraulic oil, sulphur dioxide, chlorine gas, or acids, etc.

Warning

- Do not use the non-contact transfer component for absorbing shocks and vibrations of mechanical devices. It could break, resulting in personal injury or damage to the mechanical device.

Caution * Read "Safety precautions" on the general catalog website before using this product.