

Slit type rodless cylinders ORS series

Magnet type rodless cylinders MRS series

High Rigidity

Maximum load capacity : 600N [135lbf.] (ORS32,40/MRS32,40)
Pitching moment : 60N·m [44.3ft·lbf] (ORS32,40/MRS32,40)

Shock Absorber Units are Standard Equipment.

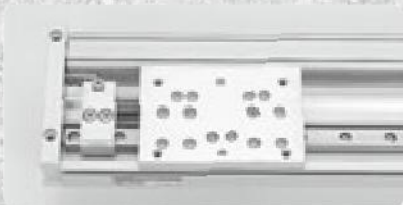
Since shock absorber unit provides positioning of the end of the stroke, it enhances absorbing capacity to the maximum extent. The shock absorber does not protrude beyond the end plate. Moreover, moving the shock absorber unit is all that is required to adjust the stroke all along its range.



Specified Stroke **Plus** 10mm [0.394in.]

Since the shock absorber can be used for fine stroke adjustment of +5mm [0.197in.] for one side, it totally offers a +10mm [0.394in.] margin in regards to the specified stroke.

Heli-serts in the Table's Mounting Threads are Optional.



Versatile Mounting Direction

More versatile mounting, with direct mounting at the end plate, or mounting with T-slots on the bottom surface.

(While mounting dimensions are the same for ORS and MRS, the table height varies.)



Connection Ports Integrated onto Single Plane

Concentrated connection ports as standard equipment save space.



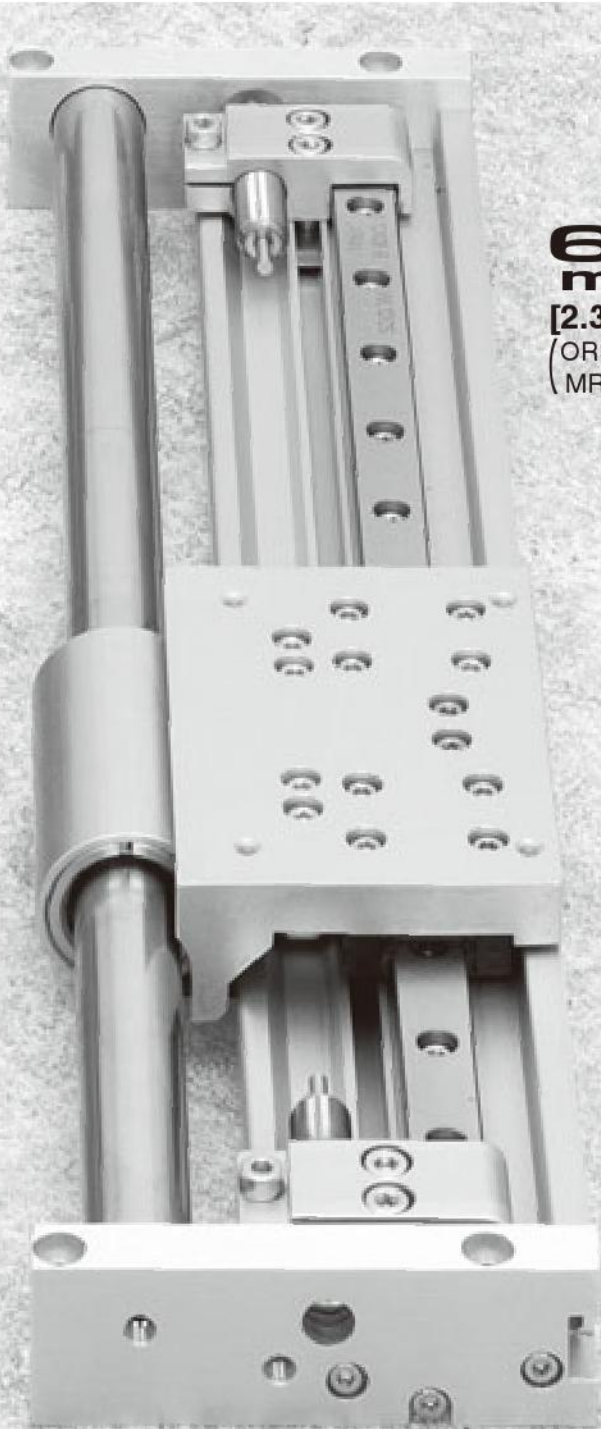
Slit Type Rodless Cylinders
ORS series

Uses Embedded Type Sensor Switch

Easily and clearly pulling out lead wires from the grooves on the body.



● The greatest part of its appeal is **its low center of gravity.**



60 mm
[2.362in.]
(ORS32,40)
(MRS32)

φ 40 [1.575in.]



φ 25 [0.984in.]

40 mm
[1.575in.]
(ORS20,25)
(MRS20)



φ 10 [0.394in.]

φ 16 [0.630in.]

30 mm
[1.181in.]
(ORS10,16)
(MRS10)



The table height is designed to be extremely low, to make thin-shape device design possible. The low-profile table improves double axis applications.

Magnet type rodless cylinders
MRS series

SLIT TYPE RODLESS CYLINDERS ORS SERIES / MAGNET TYPE RODLESS CYLINDERS MRS SERIES

Handling Instructions and Precautions



General precautions

Piping

Always thoroughly blow off (use compressed air) the tubing before connecting it to the rodless cylinder. Entering chips, sealing tape, rust, etc., generated during piping work could result in air leaks or other defective operation.

Atmosphere

1. If using in locations subject to dripping water, dripping oil, etc., or to large amounts of dust, use a cover to protect the unit or mount with the slider facing downward.
2. Do not engage in electric welding close to the rodless cylinders **ORS**, **MRS** series. The welding spatters could damage the outer seal band, etc.
3. The product cannot be used when the media or ambient atmosphere contains any of the substances listed below.
Organic solvents, phosphate ester type hydraulic oil, sulphur dioxide, chlorine gas, or acids, etc.

Lubrication

1. The product can be used without lubrication, if lubrication is required, use Turbine Oil Class 1 (ISO VG32) or lithium soap-based No. 2 or their equivalents.
2. The **MRS** series requires periodic greasing. Apply the recommended grease to the cylinder tube's outer surface every 300km [186mi.] of traveling distance.
Moreover, at 6 month intervals, or every 300km [186mi.] of traveling distance, apply lithium soap-based grease on the raceway surface of the track rail.

<Recommended grease>

MRS series: Fluorine-contained lithium type grease

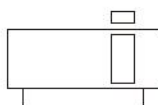
Media

1. Use air for media. Consult us for the use of any other media.
2. Air used for the rodless cylinders **ORS**, **MRS** series should be clean air that contains no moisture, dust, oxidized oil, or other foreign material in the compressed air. Install an air filter (filtration of a minimum 40 µm) near the rodless cylinders **ORS**, **MRS** series or valve to remove collected liquid or dust. In addition, drain the air filter periodically.

MRS SERIES



Symbol



Specifications

Item	Bore size mm [in.]	10 [0.394]	16 [0.630]	20 [0.787]	25 [0.984]	32 [1.260]	40 [1.575]
		Operation type	Double acting type				
Media	Air						
Operating pressure range	MPa [psi.]	0.25~0.7 [36~102]	0.2~0.7 [29~102]				
Proof pressure	MPa [psi.]	1.05 [152]					
Operating temperature range	°C [°F]	0~60 [32~140]					
Operating speed range	mm/s [in./sec.]	150~1000 [5.9~39.4] (2000 [78.7]) ^{Note2}	100~1000 [3.9~39.4] (2000 [78.7]) ^{Note2}				
Cushion	Shock absorber (Standard equipment for both ends)						
Lubrication	Cylinder portion	Not required (If lubrication is required, use Turbine Oil Class.1 [ISO VG32] or equivalent, or fluorine-contained lithium soap-based grease.)					
	Guide portion	Required (Lithium soap-based grease)					
Repeatability	mm [in.]	±0.05 [±0.002]					
Parallelism ^{Note1}	mm [in.]	0.3 [0.012]					
Stroke adjusting range	mm [in.]	Adjustable over the entire stroke (Specified stroke +10mm [0.394])					
Maximum load capacity	N [lbf.]	130 [29.2]	300 [67.4]	600 [135]			
Port size		M5×0.8	Rc1/8		Rc1/4		

Notes: 1. This is the parallelism between the upper surface of the table and the bottom surface of the body. It is not the same as the traveling parallelism.

2. Figures in parentheses () are for when MRS series with shock absorbers are set for 2000mm/s [78.7in./sec.] impact speed.

Remark: For the relation between the mass and piston speed, see the shock absorber absorption capacity graph on p.1196.

Magnet Retaining Force

Bore size mm [in.]	N [lbf.]					
	10 [0.394]	16 [0.630]	20 [0.787]	25 [0.984]	32 [1.260]	40 [1.575]
Magnet retaining force	58.8 [13.2]	156.9 [35.3]	294.2 [66.1]	451.1 [101.4]	715.9 [160.9]	1147.4 [257.9]

Specifications of Shock Absorber

Item	Model	KSHJ10×10-01	KSHJ10×10-02	KSHJ14×12-01	KSHJ14×12-02	KSHJ20×16-01	KSHJ20×16-02	
		Applicable cylinder	MRS10, MRS16		MRS20, MRS25		MRS32, MRS40	
Maximum absorption	J [ft·lbf]	3 [2.2]		10 [7.4]		30 [22.1]		
Absorbing stroke	mm [in.]	10 [0.394]		12 [0.472]		16 [0.630]		
Maximum impact speed	mm/s [in./sec.]	1000 [39.4]	2000 [78.7]	1000 [39.4]	2000 [78.7]	1000 [39.4]	2000 [78.7]	
Maximum operating frequency	cycle/min	60		40		30		
Maximum absorption per minute	J/min [ft·lbf/min.]	120 [88.5]		240 [177]		450 [332]		
Spring return force ^{Note}	N [lbf.]	8.0 [1.80]		9.2 [2.07]		22.0 [4.95]		
Angle variation		1° or less				3° or less		
Operating temperature range	°C [°F]	0~60 [32~140]						

Note: Values at retracted position.

Caution: The life of the shock absorber may vary from the Magnet Type Rodless Cylinder, depending on its operating conditions.

Cylinder Thrust

Bore size mm [in.]	Pressure area mm ² [in. ²]	Air pressure MPa [psi.]					
		0.2 [29]	0.3 [44]	0.4 [58]	0.5 [73]	0.6 [87]	0.7 [102]
10 [0.394]	78.5 [0.122]	—	24 [5.4]	31 [7.0]	39 [8.8]	47 [10.6]	55 [12.4]
16 [0.630]	201 [0.312]	40 [9.0]	60 [13.5]	80 [18.0]	101 [22.7]	121 [27.2]	141 [31.7]
20 [0.787]	314 [0.487]	63 [14.2]	94 [21.1]	126 [28.3]	157 [35.3]	188 [42.3]	220 [49.5]
25 [0.984]	490 [0.760]	98 [22.0]	147 [33.0]	196 [44.1]	245 [55.1]	294 [66.1]	343 [77.1]
32 [1.260]	804 [1.246]	161 [36.2]	241 [54.2]	322 [72.4]	402 [90.4]	482 [108.4]	563 [126.6]
40 [1.575]	1256 [1.947]	251 [56.4]	377 [84.7]	502 [112.8]	628 [141.2]	754 [169.5]	879 [197.6]

Remark: The above cylinder thrust is the theoretical value. Allow plenty of margin in actual applications.

Bore Size and Stroke

Bore size	Standard strokes	mm	
		Available strokes	
10	150, 200, 250, 300, 350, 400, 500, 600	50~1000	
16	150, 200, 250, 300, 350, 400, 500, 600	50~1500	
20	200, 250, 300, 350, 400, 500, 600, 700, 800	50~2000	
25	200, 250, 300, 350, 400, 500, 600, 700, 800	50~2000	
32	300, 400, 500, 600, 700, 800, 900, 1000	50~2000	
40	300, 400, 500, 600, 700, 800, 900, 1000	50~2000	

Remark: Non-standard strokes are available at each 50mm stroke. For delivery, consult us.

Mass

Bore size mm [in.]	Zero stroke mass	Additional mass for each 50mm [1.969in.] stroke	Additional mass of 1 sensor switch ^{Note}	
			kg [lb.]	
			ZE□□□A	ZE□□□B
10 [0.394]	0.82 [1.80]	0.11 [0.24]	0.015 [0.033]	0.035 [0.077]
16 [0.630]	0.99 [2.18]	0.12 [0.26]		
20 [0.787]	2.56 [5.64]	0.22 [0.49]		
25 [0.984]	2.94 [6.48]	0.23 [0.51]		
32 [1.260]	6.22 [13.72]	0.34 [0.75]		
40 [1.575]	7.47 [16.47]	0.35 [0.77]		

Note: Sensor switch types A and B show the lead wire lengths.
A : 1000mm [39in.] B : 3000mm [118in.]

Air Flow Rate and Air Consumption

While the rodless cylinder's air flow rate and air consumption can be found through the following calculations, the quick reference table below provides the answers more conveniently.

$$\text{Air flow rate: } Q_1 = \frac{\pi D^2}{4} \times L \times \frac{60}{t} \times \frac{P+0.101}{0.101} \times 10^{-6}$$

$$\text{Air consumption: } Q_2 = \frac{\pi D^2}{4} \times L \times 2 \times n \times \frac{P+0.101}{0.101} \times 10^{-6}$$

Q₁ : Required air flow rate for cylinder ℓ /min(ANR)
Q₂ : Air consumption of cylinder ℓ /min(ANR)
D : Cylinder tube inner diameter mm
L : Cylinder stroke mm
t : Time required for cylinder to travel 1 stroke s
n : Number of cylinder reciprocations per minute times/min
P : Pressure MPa

$$\text{Air flow rate: } Q_1' = \frac{\pi D'^2}{4} \times L' \times \frac{60}{t} \times \frac{P'+14.7}{14.7} \times \frac{1}{1728}$$

$$\text{Air consumption: } Q_2' = \frac{\pi D'^2}{4} \times L' \times 2 \times n \times \frac{P'+14.7}{14.7} \times \frac{1}{1728}$$

Q₁' : Required air flow rate for cylinder ft.³/min.(ANR)*
Q₂' : Air consumption of cylinder ft.³/min.(ANR)*
D' : Cylinder tube inner diameter in.
L' : Cylinder stroke in.
t : Time required for cylinder to travel 1 stroke sec.
n : Number of cylinder reciprocations per minute times/min
P' : Pressure psi.

* Refer to p.54 for an explanation of ANR.
cm³ [in.³]/Reciprocation (ANR)

Bore size mm [in.]	Air pressure MPa [psi.]					
	0.2 [29]	0.3 [44]	0.4 [58]	0.5 [73]	0.6 [87]	0.7 [102]
10 [0.394]	0.468 [0.0286]	0.623 [0.0380]	0.779 [0.0475]	0.934 [0.0570]	1.090 [0.0665]	1.245 [0.0760]
16 [0.630]	1.198 [0.0731]	1.596 [0.0974]	1.993 [0.1216]	2.391 [0.1459]	2.789 [0.1702]	3.187 [0.1945]
20 [0.787]	1.872 [0.1142]	2.493 [0.1521]	3.115 [0.1901]	3.737 [0.2280]	4.359 [0.2660]	4.980 [0.3039]
25 [0.984]	2.924 [0.1784]	3.896 [0.2377]	4.867 [0.2970]	5.838 [0.3563]	6.810 [0.4156]	7.781 [0.4748]
32 [1.260]	4.791 [0.2924]	6.383 [0.3895]	7.975 [0.4867]	9.566 [0.5838]	11.158 [0.6809]	12.75 [0.7781]
40 [1.575]	7.486 [0.4568]	9.973 [0.6086]	12.46 [0.7604]	14.95 [0.9123]	17.43 [1.0636]	19.92 [1.2156]

The figures in the table show the air flow rate and air consumption when a rodless cylinder makes 1 reciprocation with stroke of 1mm [0.0394in.]. The air flow rate and consumption actually required are found by the following calculations.

- Finding the air flow rate (for selecting F.R.L., valves, etc.)

Example: When operating a rodless cylinder with bore size of 40mm [1.575in.] at speed of 300mm/s [11.8in./sec.] and under air pressure of 0.5Mpa [73psi.]

$$14.95 \times \frac{1}{2} \times 300 \times 10^{-3} = 2.24 \text{ ℓ/s [0.0791ft}^3\text{/sec.]} \text{ (ANR)}$$

$$\text{(At this time, the air flow rate per minute is } 14.95 \times \frac{1}{2} \times 300 \times 60 \times 10^{-3} = 134.55 \text{ ℓ/min [4.750ft}^3\text{/min.]} \text{ (ANR).)}$$

- Finding the air consumption

Example 1. When operating a rodless cylinder with bore size of 40mm [1.575in.] and stroke of 100mm [3.94in.], and under air pressure of 0.5MPa [73psi.], for 1 reciprocation

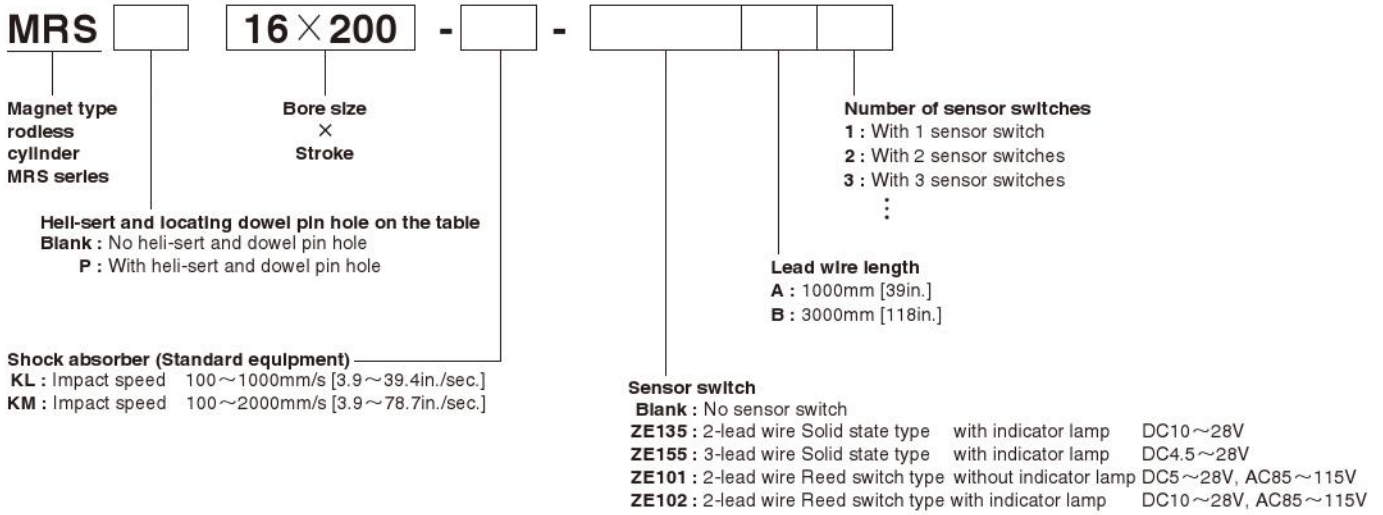
$$14.95 \times 100 \times 10^{-3} = 1.495 \text{ ℓ [0.0528ft}^3\text{]/Reciprocation (ANR)}$$

Example 2. When operating a rodless cylinder with bore size of 40mm [1.575in.] and stroke of 100mm [3.94in.], and under air pressure of 0.5MPa [73psi.], for 10 reciprocations per minute

$$14.95 \times 100 \times 10 \times 10^{-3} = 14.95 \text{ ℓ/min [0.528ft}^3\text{/min.]} \text{ (ANR)}$$

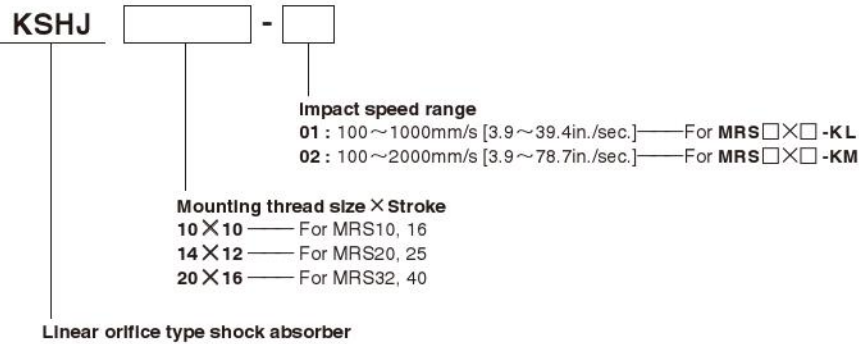
Note: To find the actual air consumption required when using rodless cylinders, add the air consumption of the piping to the air consumption obtained from the above calculation.

Order Codes for Magnet Type Rodless Cylinders



Additional Parts

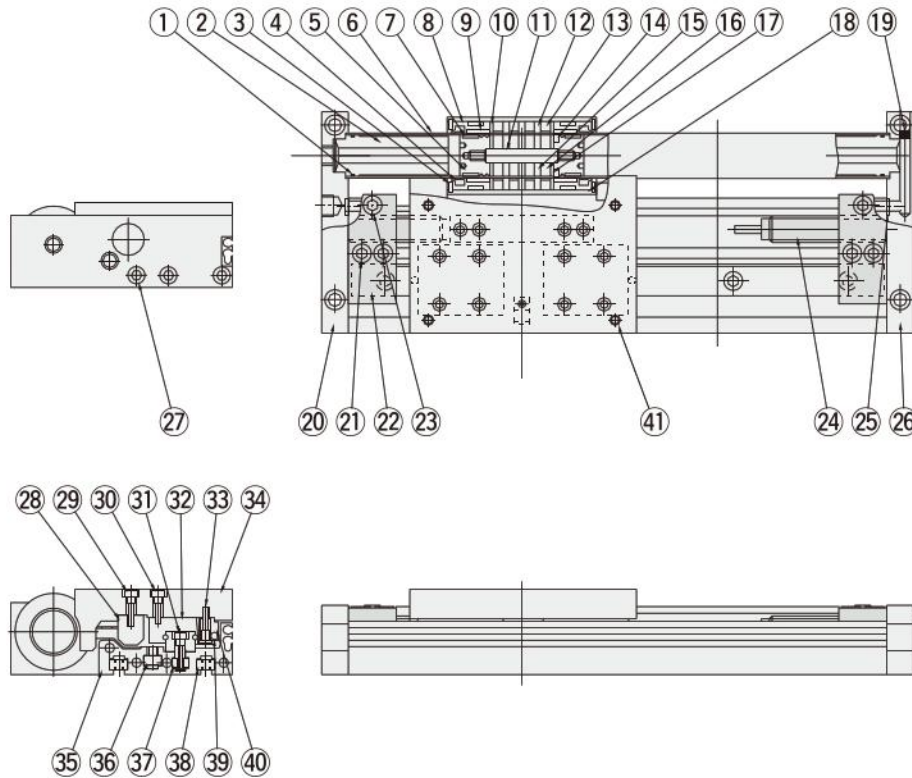
● Shock absorber



SLIT TYPE RODLESS CYLINDERS ORS SERIES / MAGNET TYPE RODLESS CYLINDERS MRS SERIES

Inner Construction of Magnet Type Rodless Cylinder

MRS ($\phi 16 \sim \phi 40$)



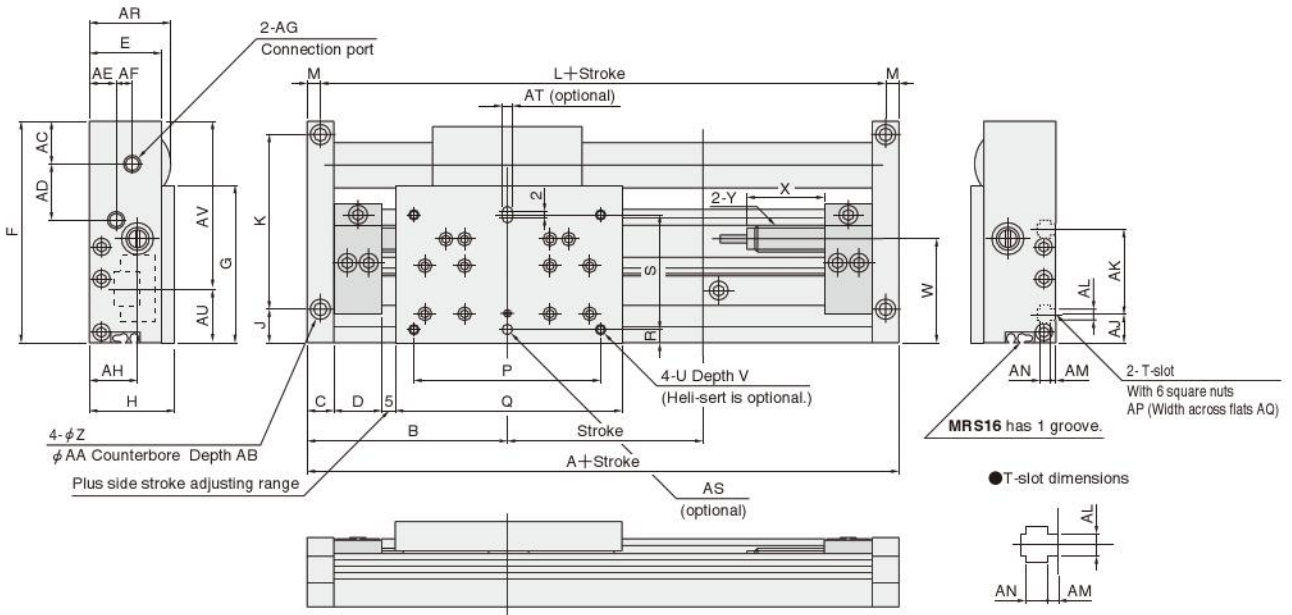
Major Parts and Materials

No.	Parts	Materials	Qty	Remarks
①	Pipe gasket	Synthetic rubber (NBR)	2	
②	End pipe	Aluminum alloy	2	
③	Snap ring	Spring steel	2	
④	Scraper	Synthetic rubber (NBR)	2	
⑤	Piston B	Aluminum alloy	1	
⑥	Cylinder tube	Aluminum alloy	1	Anodized
⑦	Holder	Aluminum alloy	2	Anodized
⑧	Inner wear ring	Special plastic	2	
⑨	Outer wear ring	Special plastic	2	
⑩	Outer yoke B	Steel	2	Nickel plated
⑪	Shaft	Stainless steel	1	
⑫	Outer yoke A	Steel	3	Nickel plated, for $\phi 10$ [0.394in.], 2 pcs.
⑬	Outer magnet	Rare earth magnet	4	For $\phi 10$ [0.394in.], 3 pcs.
⑭	Piston seal	Synthetic rubber (NBR)	1	
⑮	Inner yoke A	Steel	3	Nickel plated, for $\phi 10$ [0.394in.], 2 pcs.
⑯	Inner magnet	Rare earth magnet	4	For $\phi 10$ [0.394in.], 3 pcs.
⑰	Inner yoke B	Steel	2	Nickel plated
⑱	Slider	Aluminum alloy	1	Anodized
⑲	Steel ball	Steel	1	
⑳	End plate L	Aluminum alloy	1	Anodized
㉑	Hexagon socket head bolt	Alloy steel	4	Zinc plated

No.	Parts	Materials	Qty	Remarks
㉒	Attachment holder	Aluminum alloy	2	Anodized
㉓	Hexagon socket head bolt	Alloy steel	2	Zinc plated
㉔	Shock absorber	—	2	
㉕	Gasket	Rubber contained cork	2	
㉖	End plate R	Aluminum alloy	1	Anodized
㉗	Hexagon socket head bolt	Alloy steel	6	Zinc plated
㉘	Stopper	Steel	1	Zinc plated
㉙	Hexagon socket head bolt	Alloy steel	4	Zinc plated
㉚	Hexagon socket head bolt	Alloy steel	8	Zinc plated
㉛	Hexagon socket head bolt	Alloy steel	—	Zinc plated
㉜	Linear guide	Steel	1	
㉝	Hexagon socket button head bolt	Stainless steel	1	For $\phi 32, 40$ [1.260, 1.575in.], hexagon socket head bolt
㉞	Table	Aluminum alloy	1	Anodized
㉟	Base	Aluminum alloy	1	Anodized
㊱	Holder nut	Steel	2	Zinc plated
㊲	Square nut	Steel	—	Zinc plated
㊳	Square nut	Steel	—	Zinc plated
㊴	Sensor magnet	Rare earth magnet	1	
㊵	Magnet holder	Aluminum alloy	1	Anodized
㊶	Heli-sert	Stainless steel	(4)	Optional

Dimensions of Magnet Type Rodless Cylinders MRS16, 20, 25, 32, 40 (mm)

● MRS Bore size X Stroke



Note: Locating dowel pin hole and hell-sert are optional.

Bore mm (in)	Code	A	B	C	D	E	F	G	H	J	K	L	M	P	Q	R	S
16 [0.630]		160	80	11	19	28	88	63	34	17.5	66	150	5	70	90	5	46
20 [0.787]		230	115	14	26	38	130	94	40	19	104	216	7	120	140	7	66
25 [0.984]		230	115	14	26	38	132	94	46	19	106	216	7	120	140	7	66
32 [1.260]		300	150	17	35	59	160	102	60	20	132	284	8	160	186	10	82
40 [1.575]		300	150	17	35	59	166	102	70	20	138	284	8	160	186	10	82

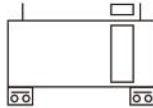
Bore mm (in)	Code	U	V	W	X	Y	Z	AA	AB	AC	AD	AE	AF	AG
16 [0.630]		M4×0.7	7	41.5	31	M10×1	4.8	8	4.5	17	21.5	10	7	M5×0.8
20 [0.787]		M6×1	9	61.5	34	M14×1.5	7	11	6.5	27	29	14	6	Rc1/8
25 [0.984]		M6×1	9	61.5	34	M14×1.5	7	11	6.5	27	31	14	9	Rc1/8
32 [1.260]		M8×1.25	14	65	42	M20×1.5	9	14	8.5	41	43	18.5	11.5	Rc1/4
40 [1.575]		M8×1.25	14	65	42	M20×1.5	9	14	8.5	43	47	18.5	16.5	Rc1/4

Bore mm (in)	Code	AH	AJ	AK	AL	AM	AN	AP	AQ	AR	AS	AT	AU	AV
16 [0.630]		18.5	11	34	4.5	2.5	3.7	M4×0.7	8	32	φ 4F8 Depth 4	4F8 Depth 4 (Oval hole)	21.5	66.5
20 [0.787]		24	16	52	6.5	3	5.5	M6×1	10	—	φ 6F8 Depth 6	6F8 Depth 6 (Oval hole)	31.5	98.5
25 [0.984]		24	16	52	6.5	3	5.5	M6×1	10	44	φ 6F8 Depth 6	6F8 Depth 6 (Oval hole)	31.5	100.5
32 [1.260]		38.5	12	60	8.5	4	6.5	M8×1.25	14	—	φ 8F8 Depth 8	8F8 Depth 8 (Oval hole)	30	130
40 [1.575]		38.5	12	60	8.5	4	6.5	M8×1.25	14	67	φ 8F8 Depth 8	8F8 Depth 8 (Oval hole)	30	136

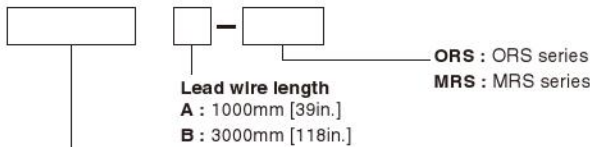
SENSOR SWITCHES

Solid State Type, Reed Switch Type

Symbol



Order Codes



Sensor switch

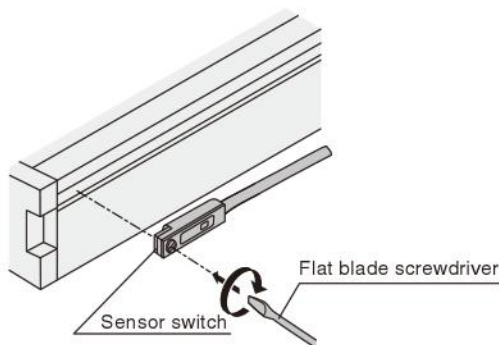
ZE135 : Solid state type with indicator lamp	DC10V~28V	Horizontal lead wire	ZE155 : Solid state type with indicator lamp	DC4.5V~28V	Horizontal lead wire
ZE101 : Reed switch type without indicator lamp	DC5V~28V	Horizontal lead wire	ZE102 : Reed switch type with indicator lamp	DC10V~28V	Horizontal lead wire
	AC85~115V			AC85~115V	

● For details of sensor switches, see p.1544.

Moving Sensor Switch

Loosening the sensor switch's mounting screw allows the sensor switch to be moved along the switch mounting groove on the base.

It is possible to insert the lead wire into the groove.

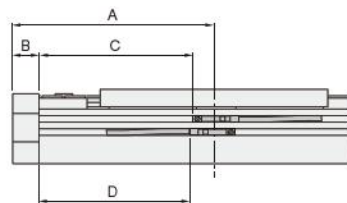


● Tighten the mounting screw with a tightening torque of 20~30N·cm [1.8~2.7in·lbf].

Mounting Location of End of Stroke Detection Sensor Switch

mm [In.]

When the sensor switch is mounted in the locations shown below, the magnet comes to the maximum sensing location of the sensor switch at the end of the stroke.



● Reed switch type (ZE101, ZE102)

Model	A	B	C	D
ORS10, MRS10	80 [3.150]	11 [0.433]	59 [2.323]	56.5 [2.224]
ORS16, MRS16	80 [3.150]	11 [0.433]	59 [2.323]	56.5 [2.224]
ORS20, MRS20	115 [4.528]	14 [0.551]	91 [3.583]	88.5 [3.484]
ORS25, MRS25	115 [4.528]	14 [0.551]	91 [3.583]	88.5 [3.484]
ORS32, MRS32	150 [5.906]	17 [0.669]	123 [4.843]	120.5 [4.744]
ORS40, MRS40	150 [5.906]	17 [0.669]	123 [4.843]	120.5 [4.744]

● Solid state type (ZE135, ZE155)

Model	A	B	C	D
ORS10, MRS10	80 [3.150]	11 [0.433]	63 [2.480]	59.5 [2.343]
ORS16, MRS16	80 [3.150]	11 [0.433]	63 [2.480]	59.5 [2.343]
ORS20, MRS20	115 [4.528]	14 [0.551]	95 [3.740]	91.5 [3.602]
ORS25, MRS25	115 [4.528]	14 [0.551]	95 [3.740]	91.5 [3.602]
ORS32, MRS32	150 [5.906]	17 [0.669]	127 [5.000]	123.5 [4.862]
ORS40, MRS40	150 [5.906]	17 [0.669]	127 [5.000]	123.5 [4.862]

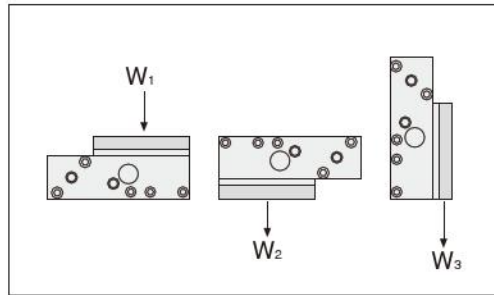
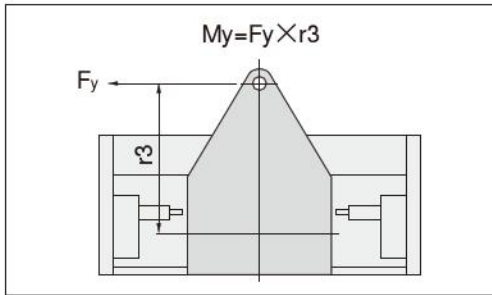
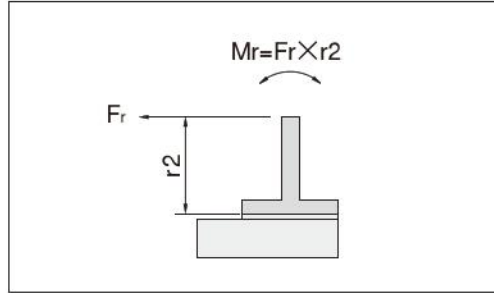
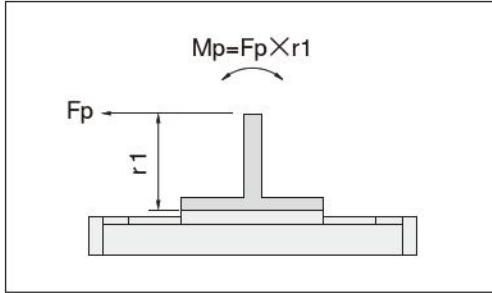
Handling Instructions and Precautions



Selection and Mounting

Allowable load and moment

Although the rodless cylinders **ORS**, **MRS** series can be used with directly applying loads, make sure that the load and moment do not exceed the values in the table below.



Pitching moment : $M_p = F_p \times r_1$ (N·m)

Rolling moment : $M_r = F_r \times r_2$ (N·m)

Yawing moment : $M_y = F_y \times r_3$ (N·m)

Maximum load capacity : W_1, W_2, W_3 (N)

Model	Moment and Max. load		M_y N·m [ft·lbf]	W_1 N [lbf.]	W_2 N [lbf.]	W_3 N [lbf.]
	M_p N·m [ft·lbf]	M_r N·m [ft·lbf]				
ORS10, MRS10	6 [4.4]	5 [3.7]	6 [4.4]		130 [29.2]	
ORS16, MRS16	6 [4.4]	5 [3.7]	6 [4.4]		130 [29.2]	
ORS20, MRS20	26 [19.2]	25 [18.4]	25 [18.4]		300 [67.4]	
ORS25, MRS25	26 [19.2]	25 [18.4]	25 [18.4]		300 [67.4]	
ORS32, MRS32	60 [44.3]	50 [36.9]	60 [44.3]		600 [135]	
ORS40, MRS40	60 [44.3]	50 [36.9]	60 [44.3]		600 [135]	

- Cautions:**
- The moment including the inertial force generated when the load is moved or stopped must not exceed the values in the above table. For the load and speed, keep within the range of the shock absorber capacity graph.
 - In the rodless cylinders **ORS** series, the T-slot on the cylinder barrel is not suitable for mounting. Since an insufficiently secured cylinder by using the above T-slot during operation could result in damage, always use an end plate mounting hole or a square nut in the T-slot on the bottom to mount the cylinder in place.

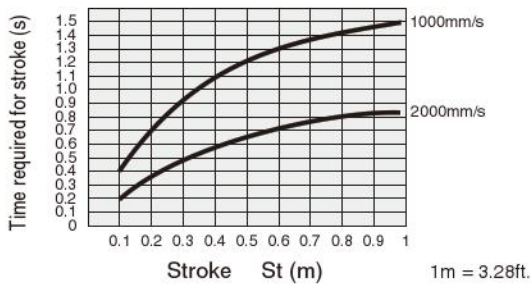
Shock absorber absorption capacity

Shock absorbers are standard equipment for the entire rodless cylinders **ORS**, **MRS** series. Find the figures for the absorption mass and impact speed from the impact speed graph, which then should be within the ranges of the "Shock absorber capacity graph" below. It cannot be used with speeds in excess of the maximum operating speeds of 1000mm/s [39.4in./sec.] or 2000mm/s [78.7in./sec.].

■ **Impact speed graph** (Horizontal use, at air pressure of 0.5MPa)

The graph below shows the table's required time to reach the end of the stroke, at impact speeds of 1000mm/s [39.4in./sec.] or 2000mm/s [78.7in./sec.], for each stroke.

In operation, set the time in above area of the graph's curve.

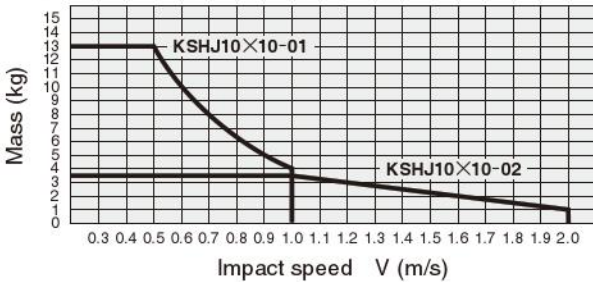


■ **Shock absorber capacity graph**

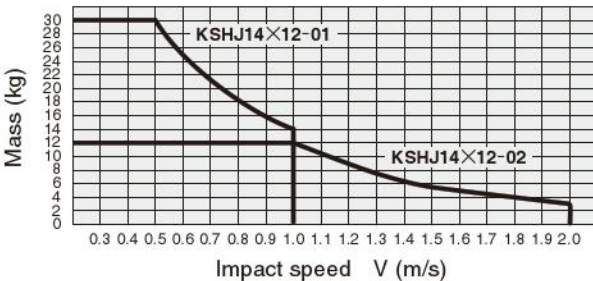
(Horizontal operation, at air pressure of 0.5MPa)

The "mass" in the graph refers to the total mass carried by the **ORS** and **MRS** series. "Impact speed" refers to the speed immediately before striking the shock absorber. Note that this is not the same as "average speed (cylinder stroke/time required)."

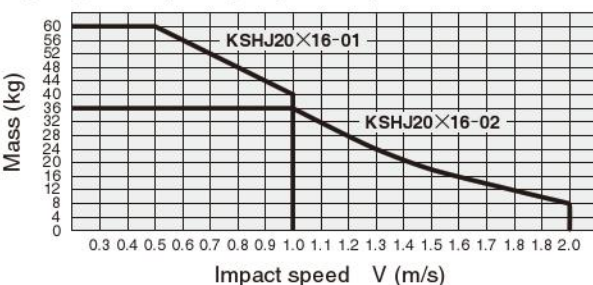
● **For $\phi 10$ [0.394in.] and $\phi 16$ [0.630in.]**



● **For $\phi 20$ [0.787in.] and $\phi 25$ [0.984in.]**



● **For $\phi 32$ [1.260in.] and $\phi 40$ [1.575in.]**

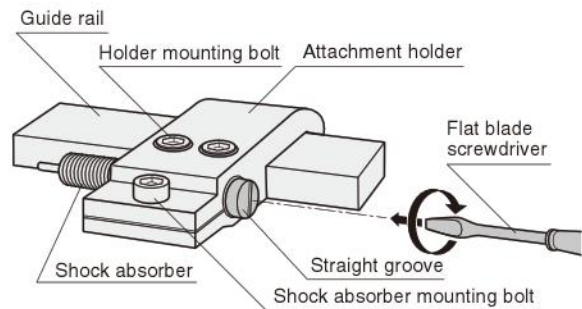


1kg = 2.205lb. 1m/s = 3.28ft./sec.

Shock absorber stroke adjustment

In the rodless cylinders **ORS** and **MRS** series, stroke adjustment by the shock absorber is easy for entire strokes.

- ① Loosen the holder mounting bolts, and move the attachment holder to determine the rough position.
- ② Press the holder against the guides such that the shock absorber contacts the impact surface of the table at right angles, and then tighten and secure it in place with the holder mounting bolts.
- ③ Next, loosen the shock absorber mounting bolt.
- ④ Insert a flat blade screwdriver into the shock absorber's straight groove to finely adjust the position by rotating it so that it provides the required stopping position of the table.
- ⑤ Finally, tighten and secure the shock absorber mounting bolt, and complete the operation.



Approximate tightening torque for holder mounting bolt

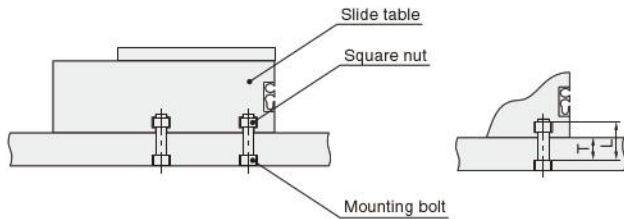
Bore size mm [in.]	Tightening torque N·cm [in·lbf]	Allen wrench size mm [in.]
10,16 [0.394,0.630]	140 [12.4]	3 [0.118]
20,25 [0.787,0.984]	450 [39.8]	5 [0.197]
32,40 [1.260,1.575]	1350 [119.5]	6 [0.236]

Remark: For securing the shock absorber holder in place, use the above values to tighten the bolt.

- Cautions:**
1. Adjust it so that the stopper on the table and the shock absorber make full contact.
 2. Use the shock absorber within the range of the capacity of the shock absorber (range of the capacity graph). Note that the absorption energy of the shock absorber is different in a low-speed range than that in a high-speed range.
 3. The maximum impact speed of the shock absorber will vary depending on the shock absorber. Moreover, since impact speed and average speed are not the same, use only after checking the shock absorber's impact speed.
 4. Do not use the shock absorber in a place subject to dripping water or oil, or to large amount of dust. If using it in these places, install a cover, etc. so that the water or oil drops do not drip it directly. Otherwise, it could lead to improper operation and may decrease the absorption energy.
 5. Do not loosen the small screw on the rear end of the shock absorber. The oil inside will leak out which will fail the function of the shock absorber.
 6. To ensure that the table is not in contact with the attachment holder, always adjust the location of the shock absorber so that a clearance exists between the table and the attachment holder. Contact of anything other than the absorber when stopping could result in damage to the cylinder.
 7. Do not install other shock absorbers for this product without our permission. Since our shock absorber's characteristics are different from those of other shock absorbers, use of other shock absorbers could cause damage to the cylinder.

Handling Instructions and Precautions

Mounting with T-slot



● Tightening torque

N·cm [in·lbf]

Type	ORS10,16 MRS10,16	ORS20,25 MRS20,25	ORS32,40 MRS32,40
Tightening torque	140 [12.4] (M4)	450 [39.8] (M6)	1350 [119.5] (M8)

● Screw length L

mm [in.]

Type	ORS10,16 MRS10,16	ORS20,25 MRS20,25	ORS32,40 MRS32,40
L	M4 T + 6 [0.236]	M6 T + 8 [0.315]	M8 T + 10 [0.394]

Mounting

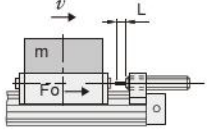
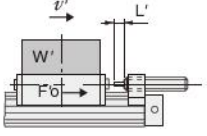
1. While any mounting direction in the rodless cylinders **ORS**, **MRS** series is allowed, mount the slider so that it faces downward or protect it with a cover, etc., when mounting in locations subject to dripping water or oil, etc., or to large amounts of dust. Mounting as the seal band faces downward is particularly effective for the **ORS** series.
2. Avoid any electric welding either during or after mounting the rodless cylinders **ORS**, **MRS** series. Flows of welding current to the cylinder could generate arcs that result in damage or depositions to the cylinder.
3. Since the magnet type rodless cylinders **MRS** series has strong magnets built into the cylinder body, do not use in locations subject to cutting oil or metal chips that contain magnetized materials.
4. Be careful to avoid making scratches or dents, etc., on the cylinder tube/barrel and guide.
5. If external forces exceeding the magnet retaining force cause the slider and piston to become misaligned or separated, make the piston return to the end of the stroke and then apply an external force to the slider to restore it to the correct position.
6. If using in locations where the cylinder tube/barrel and guide can easily become smeared, clean the cylinder tube/barrel and guide periodically.
After cleaning, always apply lubrication to the cylinder tube and guide surfaces.
7. Avoid using the rodless cylinders **ORS**, **MRS** series in combination with linear ball bearings and other external guides.

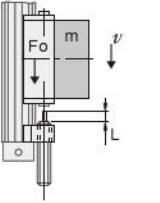
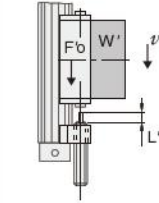
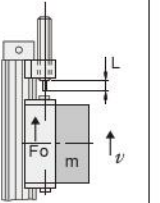
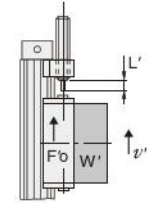
Caution: Do not apply a strong shock to the slit portion of the cylinder barrel.

Intermediate stopping control

1. Since for structural reasons external air leakage is inevitable for the **ORS** series, use of all port block (closed center) 3-position valves, etc., for intermediate stop control could result in failure to maintain the stopping position, and the piston speed could not be controlled when restarting. We recommend, therefore, the installation of double-sided pressure control circuits that use PAB-connection (pressure center) 3-position valves, etc.
For intermediate stopping under constant loads, such as vertical mountings, consult us.
2. For the **MRS** series, hold the pressure at 0.55MPa [80psi.] or less when used with external stoppers, etc., for intermediate stroke stopping. Use at higher pressures may cause the piston to misalign.

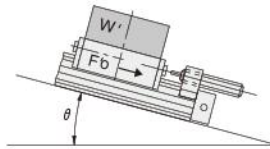
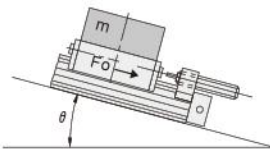
Calculation of impact energy

Horizontal Impact	
	
$E = E_1 + E_2$ $= \frac{m \cdot v'^2}{2} + F_0 \cdot L$	$E' = E'_1 + E'_2$ $= \frac{W' \cdot v'^2}{2g'} + F'_0 \cdot L'$

Vertical Impact <small>Note 1</small>			
When descending <small>Note 2</small>		When ascending	
			
$E = E_1 + E_2 + E_3$ $= \frac{m \cdot v'^2}{2} + F_0 \cdot L + m \cdot g \cdot L$	$E' = E'_1 + E'_2 + E'_3$ $= \frac{W' \cdot v'^2}{2g'} + F'_0 \cdot L' + W' \cdot L'$	$E = E_1 + E_2 - E_3$ $= \frac{m \cdot v'^2}{2} + F_0 \cdot L - m \cdot g \cdot L$	$E' = E'_1 + E'_2 - E'_3$ $= \frac{W' \cdot v'^2}{2g'} + F'_0 \cdot L' - W' \cdot L'$

Note 1: For impact on incline, E₃ becomes E'₃ = m · g · L · sin θ .

Note 1: For impact on incline, E'₃ becomes E''₃ = W' · L' · sin θ .



Note 2: When descending, the operating air pressure: P, should be lower than when ascending, because heavier loads can be carried.

- E : Total impact energy ... [J]
- E₁ : Kinetic energy ... $\frac{m \cdot v'^2}{2}$ [J]
- E₂ : Additional energy by cylinder thrust ... F₀ · L [J]
- E₃ : Additional energy by load mass ... m · g · L [J]
- m : Load mass [kg]
- v' : Impact speed [m/s]
- g : Gravity acceleration 9.8 [m/s²]
- F₀ : Cylinder thrust ... $= \frac{\pi}{4} \cdot D^2 \cdot P$ [N]
- [D: Cylinder bore (mm) P: Operating air pressure (MPa)]
- L : Absorbing stroke of shock absorber [m]

Note 2: When descending, the operating air pressure: P', should be lower than when ascending, because heavier loads can be carried.

- E' : Total impact energy ... [ft·lbf]
- E'₁ : Kinetic energy ... $\frac{W' \cdot v'^2}{2g'}$ [ft·lbf]
- E'₂ : Additional energy by cylinder thrust ... F'₀ · L' [ft·lbf]
- E'₃ : Additional energy by load weight ... W' · L' [ft·lbf]
- W' : Load weight [lbf]
- v' : Impact speed [ft./sec.]
- g' : Gravity acceleration 32.2 [ft./sec.]
- F'₀ : Cylinder thrust ... $= \frac{\pi}{4} \cdot D'^2 \cdot P'$ [lbf]
- [D': Cylinder bore [in.] P': Operating air pressure [psi.]]
- L' : Absorbing stroke of shock absorber [ft.]

Special Rodless Cylinders in ORS and MRS Series

For the rodless cylinders **ORS** and **MRS** series, we have targeted certain special models that have proven to be particularly popular as semi-standard products.

To order, enter codes in parentheses () at the end of the order code.

As we expand our special product range, we hope you will continue to incorporate new models into your work.

For detailed specifications, dimensions, and delivery schedules, consult us.

1. Clean room-compatible grease specification (-1002W)

For MRS series only

Uses a low-volatility, low particle generation grease. The linear guide uses a standard grease, however.

2. Low-speed and speed-variable specification (-1003W)

Effective for operations that involve repeated stops and starts, and for constant low-speed operations.

Operating speed range 20~100mm/s [0.8~3.9in./sec.]

3. Simplified clean room specification (-1014W)

For MRS series only

The linear guide is Raydent-treated, while the bolts and screws are stainless steel or nickel-plated. Moreover, the grease used is a low particle generation grease. The items are not packaged in the clean rooms, however. And the shock absorber is not available for the clean room specification.

4. Lateral piping block specification (-3W)

Can be used for piping in lateral directions.

※ With the exception of a longer total length, other specifications are the same as the standard item.

5. Reverse piping directions specification (-4W)

Since piping directions in the ORS and MRS series are set, use this specification for piping in the reverse direction.

※ Other specifications are the same as the standard item.

Order example :
For reverse piping specification

● **ORSP16 × 300 - KL - 4W**

Note: These special specifications may vary from standard items in delivery, prices, dimensions, life cycles, etc. Confirm us the details before ordering.

Moreover, consult us about similar available settings in other rodless cylinder series.