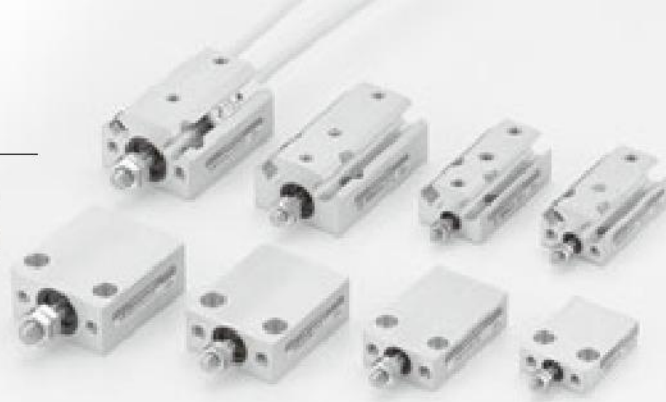


More compact than ever

MINI BIT CYLINDERS



Smaller than the current compact Multi Mount Cylinders range offering space-saving mounting.

● **Total length: up to 41% reduction**

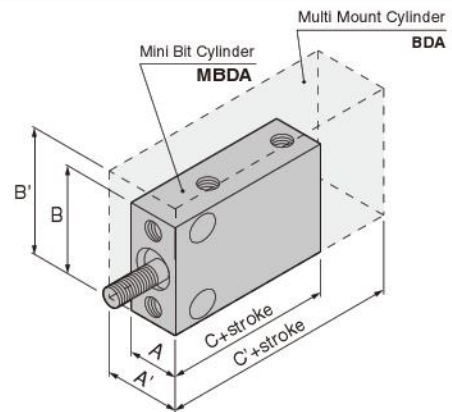
● **Volume: up to 67% reduction**

Above data compares the Mini Bit with our standard Multi Mount cylinder without magnet.

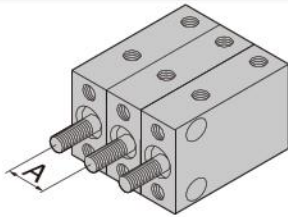
Outer dimensions (without magnet)

Bore size	A(A')	B(B')	C(C')
4.5 [0.177]	6 [0.236] (-)	15 [0.591] (-)	16 [0.630] (-)
6 [0.236]	8 [0.315] (12 [0.472])	17 [0.669] (20 [0.787])	16.5 [0.650] (28 [1.102])
8 [0.315]	10 [0.394] (-)	21 [0.827] (-)	16.5 [0.650] (-)
10 [0.394]	12 [0.472] (14 [0.551])	23 [0.906] (24 [0.945])	17 [0.669] (30 [1.181])

Figures in () show the dimensions of our Multi Mount Cylinder BDA series.



Short mounting pitch



The figures show standard cylinders. mm [in.]

Bore size	A
4.5 [0.177]	6 [0.236]
6 [0.236]	8 [0.315]
8 [0.315]	10 [0.394]
10 [0.394]	12 [0.472]

Conforms to clean room requirement class 10 ^{Note}



Note: Obtained by our in-house test procedure and removing dust by suction from the dust collecting port. Refer to p.73 for more details.

Product range

Bore size mm [in.]	Operation type	Stroke mm						Clean specification	Cylinder with magnet	Plain rod
		4	6	8	10	15	20			
4.5 [0.177]	Double acting type	●	●	●	●	—	—	●	●	●
	Single acting push type	●	●	●	—	—	—	—	●	●
6 [0.236]	Double acting type	●	●	●	●	●	—	●	●	—
	Single acting push type	●	●	●	—	—	—	—	●	—
8 [0.315]	Double acting type	●	●	●	●	●	●	●	●	—
	Single acting push type	●	●	●	●	—	—	—	●	—
10 [0.394]	Double acting type	●	●	●	●	●	●	●	●	—
	Single acting push type	●	●	●	●	—	—	—	●	—

Note: Mini Bit standard cylinders can be used as non-ion (NCU) specification products.

New type ZE solid state sensor switch

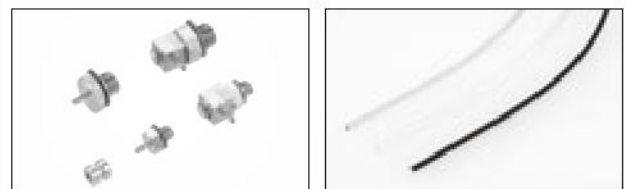
- **Compact**
Total length is 15mm [0.591in.] compared to the current 22mm [0.866in.] (ZE235).
- **Response differential is reduced to 1/2 that of the current switch.** ^{Note}
- **Maximum sensing location and electric characteristics are not changed.**

Note: According to our in-house test procedure.

Appropriate fittings and tubes are available

Fittings (straight, elbow) and tubes (non-conductive, conductive) for Mini Bit Cylinders are available.

For further details, please see the TAC fittings and Tubes sections in the General Catalog of Air Treatment, Auxiliary, Vacuum (Catalog No. BKUA001).



Handling Instructions and Precautions

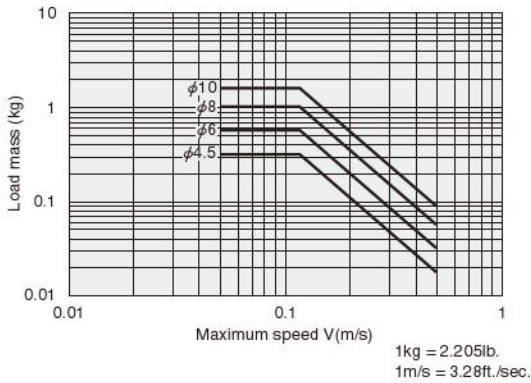


General Precautions

Allowable kinetic energy

When carrying an inertial load, operate the cylinder at a kinetic energy at or below the allowable limit.

Bore size	mm [in.]	4.5 [0.177]	6 [0.236]	8 [0.315]	10 [0.394]
Piston speed	m/s [in./sec.]	0.05~0.5 [2~20]			
Allowable kinetic energy	J [ft·lbf]	2.23×10 ⁻³ [1.64×10 ⁻³]	3.96×10 ⁻³ [2.92×10 ⁻³]	7.04×10 ⁻³ [5.19×10 ⁻³]	10.9×10 ⁻³ [8.04×10 ⁻³]



Mounting

When mounting the Mini Bit Cylinder, tighten the bolts within the range of the tightening torque.

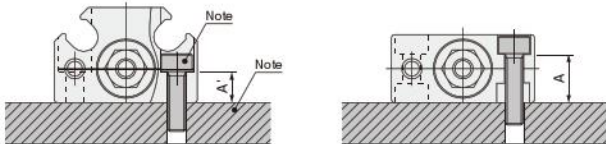
● Mini Bit Cylinder mounting

The Mini Bit Cylinder can be mounted in two directions.

1. Mounting using the through holes on the body

Cylinder with magnet

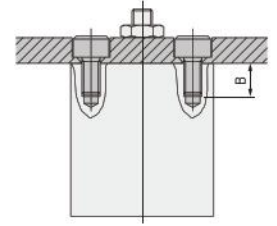
Standard cylinder



(Note: Do not use magnetic materials for the mounting bracket of the cylinder with magnet.)

Model	Bolt	Maximum tightening torque N·m [in·lbf]	A dimension mm [in.]	A' dimension mm [in.]
MB□A(S)4.5	M2×0.4	0.27 [2.39]	3.8 [0.150]	2.5 [0.098]
MB□A(S)6	M2×0.4	0.27 [2.39]	5.8 [0.228]	4 [0.157]
MB□A(S)8	M2.5×0.45	0.58 [5.13]	7 [0.276]	4.5 [0.177]
MB□A(S)10	M2.5×0.45	0.58 [5.13]	9 [0.354]	5.5 [0.217]

2. Mounting by using bolts in the axial direction



Model	Bolt	Maximum tightening torque N·m [in·lbf]	B dimension mm [in.]
MB□A(S)4.5	M2.5×0.45	0.32 [2.83]	3 [0.118]
MB□A(S)6	M3×0.5	0.59 [5.22]	4 [0.157]
MB□A(S)8	M3×0.5	0.59 [5.22]	4 [0.157]
MB□A(S)10	M3×0.5	0.59 [5.22]	4 [0.157]

Piping

1. Always thoroughly blow off (use compressed air) the tubing before connecting it to the Mini Bit Cylinder. Entering chips, sealing tape, rust, etc., generated during piping work could result in air leaks or other defective operation.
2. Observe the following tightening torques when screwing piping or fittings into the Mini Bit Cylinder ports.

Connecting thread	Tightening torque N·m [in·lbf]
M3×0.5	0.59 [5.22]

Media

1. Use air for media. For the use of any other media, consult us.
2. For the air used in the cylinder, use clean air that does not contain deteriorated compressor oil. Install a filter (filtration rating of a minimum 40 μm) near the cylinder or valve to remove collected liquid or dust. Also, clean out the collected liquid of the air filter on a regular basis. Letting liquid or dust inside the cylinder could result in defective operation.

Lubrication

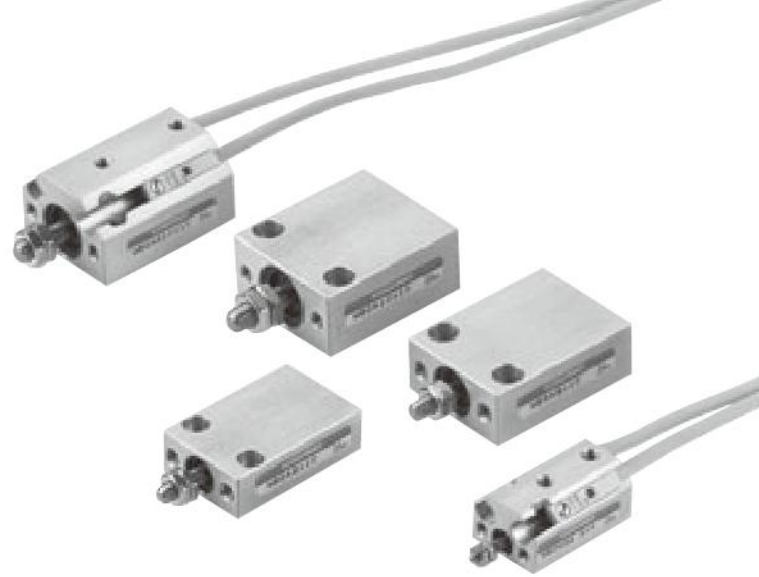
This product can be used without lubrication, if lubrication is required, use Turbine Oil Class 1 (ISO VG32) or equivalent. Avoid using spindle oil or machine oil.

Atmosphere

If using in locations subject to dripping water, dripping oil, etc., use a cover to protect the unit.

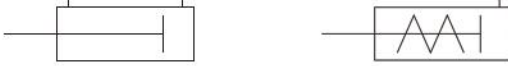
MINI BIT CYLINDERS

Double Acting Type, Single Acting Push Type



Symbols

● Double acting type (MBDA) ● Single acting push type (MBSA)



Specifications

Item		Bore size mm [in.]	4.5 [0.177]	6 [0.236]	8 [0.315]	10 [0.394]
Media			Air			
Operating pressure range MPa [psi.]	Double acting type		0.15~0.7 [22~102]			0.1~0.7 [15~102]
	Single acting push type		0.3~0.7 [44~102]		0.2~0.7 [29~102]	
Proof pressure	MPa [psi.]		1.05 [152]			
Operating temperature range	°C [°F]		0~60 [32~140]			
Operating speed range	mm/s [in./sec.]		50~500 [2.0~19.7]			
Cushion			None			
Lubrication			Not required (If lubrication is required, use Turbine Oil Class 1 (ISO VG32) or equivalent.)			
Port size			M3			
Stroke tolerance	mm [in.]		+ ^{0.5} ₀ [+ ^{0.020} ₀]			

Cylinder Thrust

Bore size mm [in.]	Piston rod diameter mm [in.]	Operating type	Operating direction	Pressure area mm ² [in. ²]	Air pressure MPa [psi.]						
					0.1 [15]	0.2 [29]	0.3 [44]	0.4 [58]	0.5 [73]	0.6 [87]	0.7 [102]
4.5 [0.177]	2 [0.079]	Double acting type	Push side	15.9 [0.0246]	—	3.2 [0.72]	4.8 [1.08]	6.4 [1.44]	8.0 [1.80]	9.5 [2.14]	11.1 [2.50]
			Pull side	12.8 [0.0198]	—	2.6 [0.58]	3.8 [0.85]	5.1 [1.15]	6.4 [1.44]	7.7 [1.73]	9.0 [2.02]
		Single acting push type	15.9 [0.0246]	—	—	1.9 [0.43]	3.5 [0.79]	5.1 [1.15]	6.6 [1.48]	8.2 [1.84]	
6 [0.236]	3 [0.118]	Double acting type	Push side	28.2 [0.0437]	—	5.6 [1.26]	8.5 [1.91]	11.3 [2.54]	14.1 [3.17]	16.9 [3.80]	19.7 [4.43]
			Pull side	21.2 [0.0329]	—	4.2 [0.94]	6.4 [1.44]	8.5 [1.91]	10.6 [2.38]	12.7 [2.85]	14.8 [3.33]
		Single acting push type	28.2 [0.0437]	—	—	5.1 [1.15]	7.9 [1.78]	10.7 [2.41]	13.5 [3.03]	16.3 [3.66]	
8 [0.315]	3 [0.118]	Double acting type	Push side	50.3 [0.0780]	—	10.1 [2.27]	15.1 [3.39]	20.1 [4.52]	25.2 [5.66]	30.2 [6.79]	35.2 [7.91]
			Pull side	43.2 [0.0670]	—	8.6 [1.93]	13.0 [2.92]	17.3 [3.89]	21.6 [4.86]	25.9 [5.82]	30.2 [6.79]
		Single acting push type	50.3 [0.0780]	—	5.0 [1.12]	10.0 [2.25]	15.0 [3.37]	20.1 [4.52]	25.1 [5.64]	30.1 [6.77]	
10 [0.394]	4 [0.157]	Double acting type	Push side	78.5 [0.1216]	7.9 [1.78]	15.7 [3.53]	23.6 [5.31]	31.4 [7.06]	39.3 [8.83]	47.1 [10.59]	55.0 [12.36]
			Pull side	65.9 [0.1021]	6.6 [1.48]	13.2 [2.97]	19.8 [4.45]	26.4 [5.93]	33.0 [7.42]	39.5 [8.88]	46.1 [10.36]
		Single acting push type	78.5 [0.1216]	—	8.0 [1.80]	15.9 [3.57]	23.7 [5.33]	31.6 [7.10]	39.4 [8.86]	47.3 [10.63]	

Spring Return Force (for single acting type only)

Bore size mm [in.]	State of cylinder	Stroke mm [in.]			
		4 [0.157]	6 [0.236]	8 [0.315]	10 [0.394]
4.5 [0.177]	Zero stroke	2.04 [0.459]	1.59 [0.357]	1.13 [0.254]	—
	Stroke end	2.95 [0.663]	2.95 [0.663]	2.95 [0.663]	—
6 [0.236]	Zero stroke	2.54 [0.571]	2.15 [0.483]	1.76 [0.396]	—
	Stroke end	3.43 [0.771]	3.43 [0.771]	3.43 [0.771]	—
8 [0.315]	Zero stroke	3.76 [0.845]	3.07 [0.690]	2.39 [0.537]	1.71 [0.384]
	Stroke end	5.13 [1.153]	5.13 [1.153]	5.13 [1.153]	5.13 [1.153]
10 [0.394]	Zero stroke	5.48 [1.232]	4.39 [0.987]	3.29 [0.740]	2.19 [0.492]
	Stroke end	7.74 [1.740]	7.74 [1.740]	7.74 [1.740]	7.74 [1.740]

Operation Type, Bore Size, and Stroke

Operation type	Bore size	Standard strokes
		mm
Double acting type	4.5	4, 6, 8, 10
	6	4, 6, 8, 10, 15
	8, 10	4, 6, 8, 10, 15, 20
Single acting push type	4.5	4, 6, 8
	6	
	8	4, 6, 8, 10
	10	

Mass

Double acting type

g [oz.]

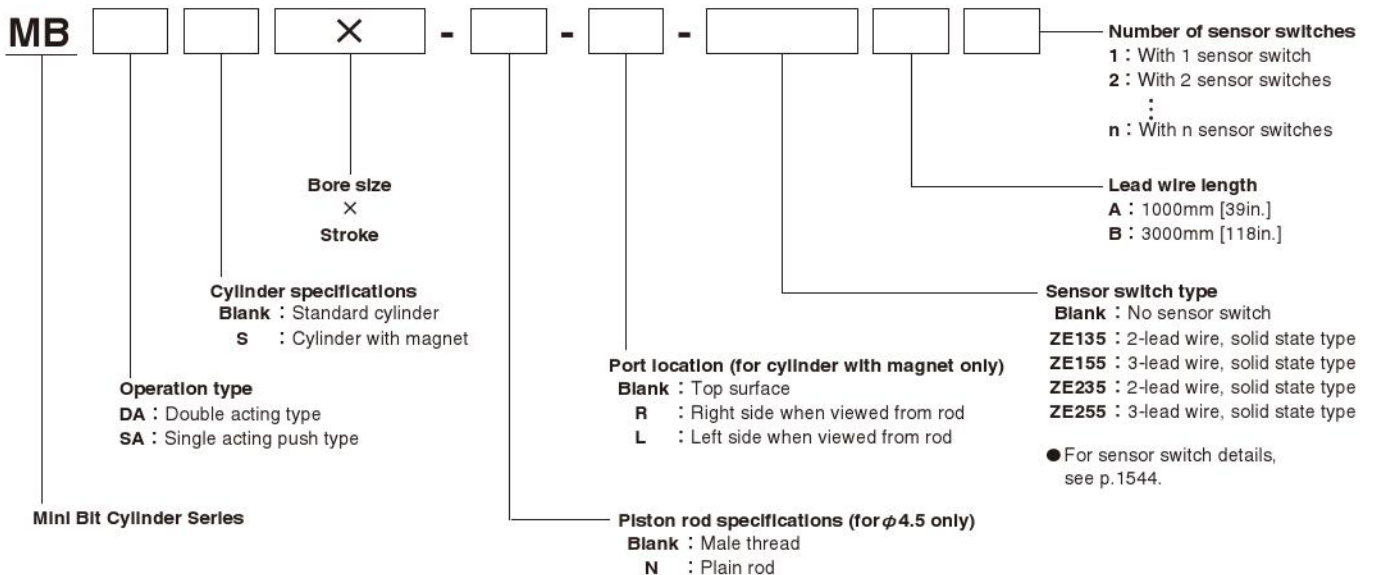
Bore size mm	Stroke mm	Standard cylinder	Cylinder with magnet	Additional mass	
				Sensor switch (1 switch)	
				ZE□□□□A	ZE□□□□B
4.5	4	5.1 [0.180]	8.0 [0.282]	15 [0.529]	35 [1.235]
	6	5.6 [0.198]	8.6 [0.303]		
	8	6.1 [0.215]	9.2 [0.325]		
	10	6.6 [0.233]	9.8 [0.346]		
6	4	8.5 [0.300]	11.3 [0.399]	15 [0.529]	35 [1.235]
	6	9.2 [0.325]	12.1 [0.427]		
	8	9.9 [0.349]	12.9 [0.455]		
	10	10.6 [0.374]	13.7 [0.483]		
	15	12.4 [0.437]	15.7 [0.554]		
8	4	11.7 [0.413]	15.2 [0.536]	15 [0.529]	35 [1.235]
	6	12.7 [0.448]	16.3 [0.575]		
	8	13.7 [0.483]	17.4 [0.614]		
	10	14.7 [0.519]	18.5 [0.653]		
	15	17.2 [0.607]	21.3 [0.751]		
	20	19.7 [0.695]	24.1 [0.850]		
10	4	16.4 [0.578]	20.3 [0.716]	15 [0.529]	35 [1.235]
	6	17.7 [0.624]	21.7 [0.765]		
	8	19.0 [0.670]	23.1 [0.815]		
	10	20.3 [0.716]	24.5 [0.864]		
	15	23.6 [0.832]	28.0 [0.988]		
	20	26.9 [0.949]	31.5 [1.111]		

Single acting push type

g [oz.]

Bore size mm	Stroke mm	Standard cylinder	Cylinder with magnet	Additional mass	
				Sensor switch (1 switch)	
				ZE□□□□A	ZE□□□□B
4.5	4	5.7 [0.201]	8.8 [0.310]	15 [0.529]	35 [1.235]
	6	6.2 [0.219]	9.4 [0.332]		
	8	6.7 [0.236]	10.0 [0.353]		
6	4	9.4 [0.332]	12.3 [0.434]	15 [0.529]	35 [1.235]
	6	10.1 [0.356]	13.1 [0.462]		
	8	10.8 [0.381]	13.9 [0.490]		
8	4	13.0 [0.459]	16.7 [0.589]	15 [0.529]	35 [1.235]
	6	14.0 [0.494]	17.8 [0.628]		
	8	15.0 [0.529]	18.9 [0.667]		
	10	16.0 [0.564]	20.0 [0.705]		
10	4	18.2 [0.642]	22.2 [0.783]	15 [0.529]	35 [1.235]
	6	19.5 [0.688]	23.6 [0.832]		
	8	20.8 [0.734]	25.0 [0.882]		
	10	22.1 [0.780]	26.4 [0.931]		

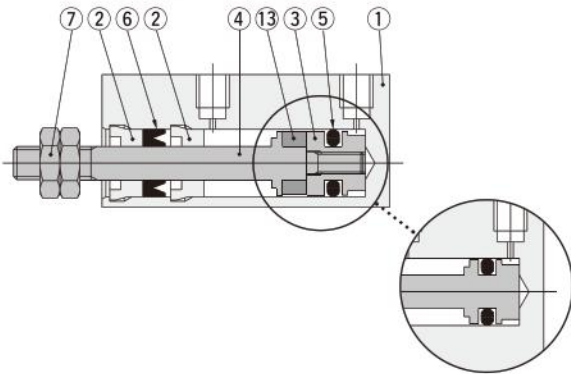
Order Codes



Inner Constructions

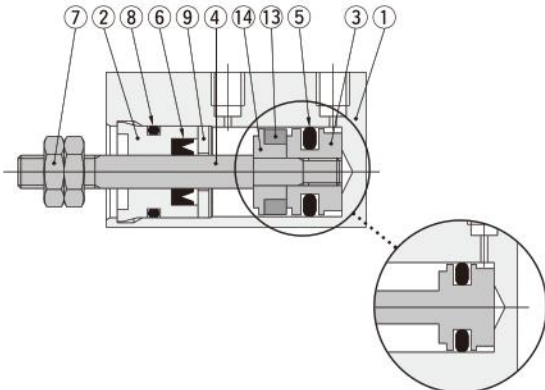
● Double acting type

MBDAS4.5, 6



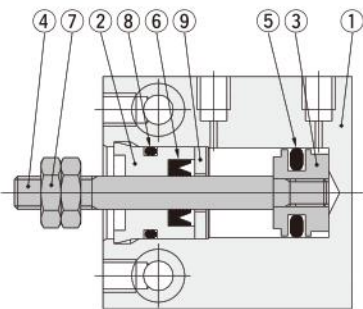
MBDA4.5, 6

MBDAS8, 10



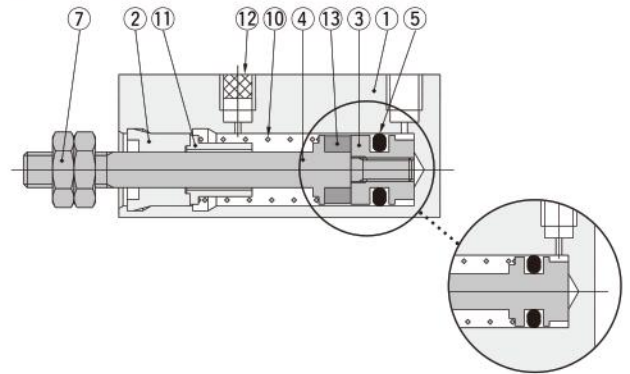
MBDA8

MBDA10



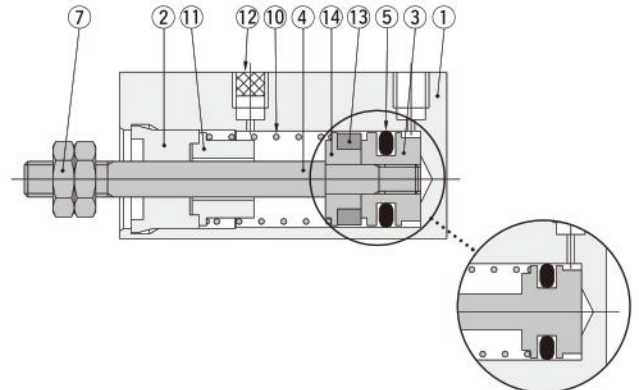
● Single acting push type

MBSAS4.5, 6



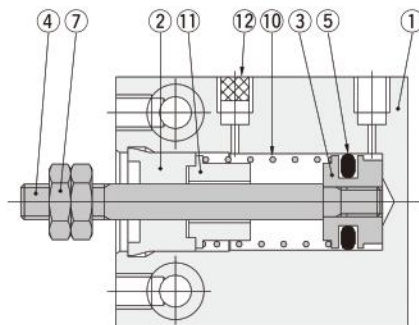
MBSA4.5, 6

MBSAS8, 10



MBSA8

MBSA10



Major Parts and Materials

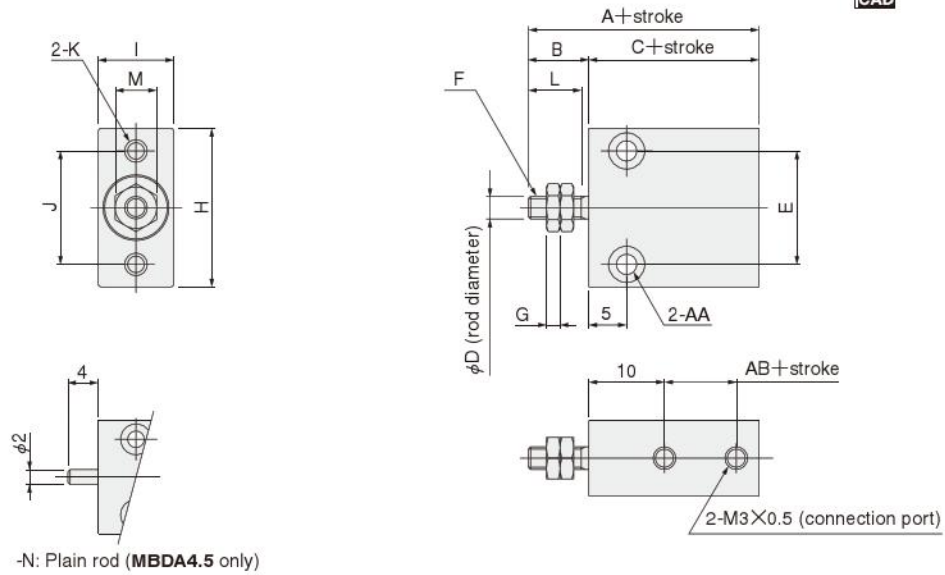
		mm [in.]			
No.	Parts	4.5 [0.177]	6 [0.236]	8 [0.315]	10 [0.394]
①	Body	Aluminum alloy (anodized)			
②	Rod cap	Oil impregnated plastic bushing (polyacetal)			
③	Piston ^{Note}	Aluminum alloy (special rust prevention treatment)			
④	Piston rod	Stainless steel			
⑤	Piston seal	Synthetic rubber (NBR)			
⑥	Rod seal	Synthetic rubber (NBR)			
⑦	Rod end nut	Stainless steel	Mild steel (nickel plated)		
⑧	O-ring	Synthetic rubber (NBR)			

		mm [in.]			
No.	Parts	4.5 [0.177]	6 [0.236]	8 [0.315]	10 [0.394]
⑨	Seal holder	—		Aluminum alloy (special rust prevention treatment)	
⑩	Spring	Steel (zinc plated)			
⑪	Stopper	Aluminum alloy (special rust prevention treatment)			
⑫	Filter	Foamed metal			
⑬	Magnet	Neodymium magnet			
⑭	Support	—		Aluminum alloy (special rust prevention treatment)	

Note: Material for MBDA4.5, 6, 8 and MBSA4.5, 6, 8 is stainless steel, and the piston is one-piece construction with the piston rod.

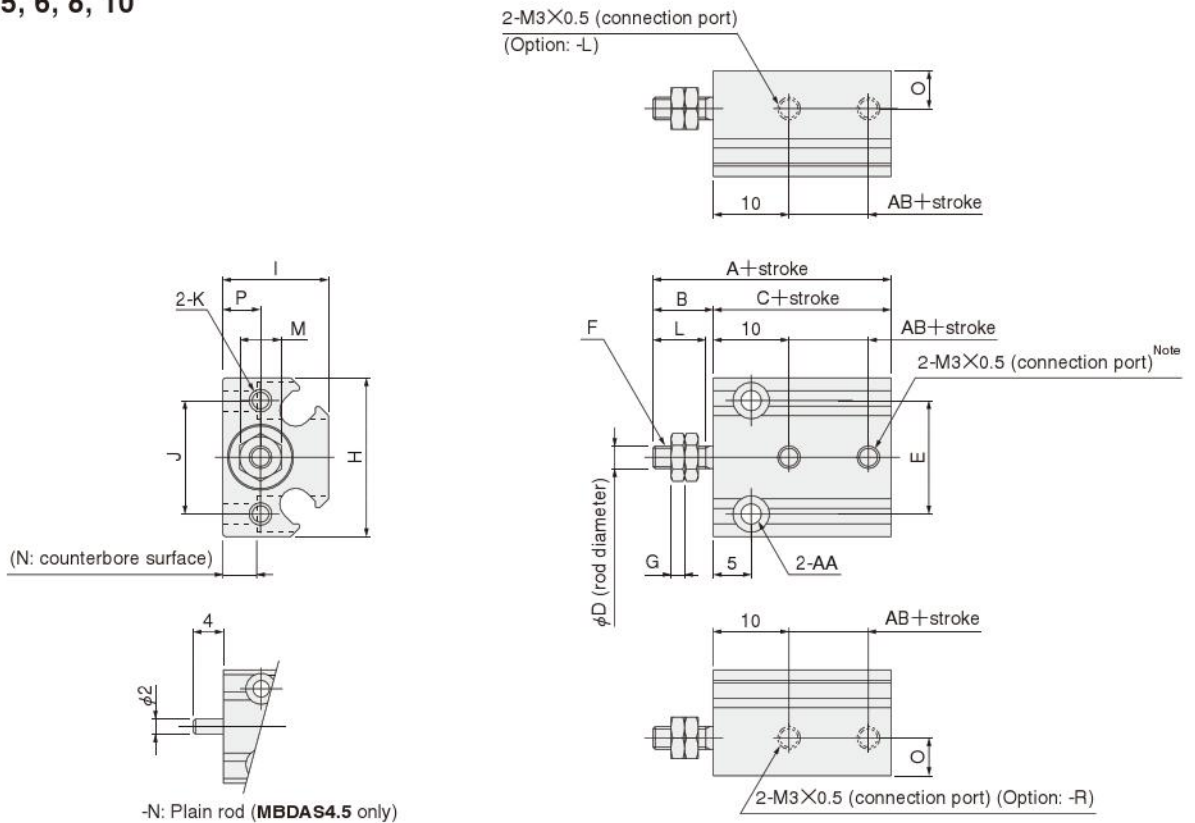
Dimensions (mm)

● Double acting type (standard cylinder) MBDA4.5, 6, 8, 10



Model	Code	A	B	C	D	E	F	G	H	I	J	K	L	M	AA	AB
MBDA4.5	23	7	16	2	10	M2×0.4	1.6	15	6	10	M2.5×0.45 Depth3	6	4	φ2.2 Counterbore φ4.1 Depth 2.2 (both sides)	3	
MBDA6	24.5	8	16.5	3	12	M3×0.5	1.8	17	8	12	M3×0.5 Depth4	7	5.5	φ2.2 Counterbore φ4.1 Depth 2.2 (both sides)	3.5	
MBDA8	24.5	8	16.5	3	15	M3×0.5	1.8	21	10	15	M3×0.5 Depth4	7	5.5	φ2.7 Counterbore φ4.8 Depth 3 (both sides)	3.5	
MBDA10	27	10	17	4	17	M4×0.7	2.4	23	12	17	M3×0.5 Depth4	9	7	φ2.7 Counterbore φ4.8 Depth 3 (both sides)	4	

● Double acting type (cylinder with magnet) MBDAS4.5, 6, 8, 10

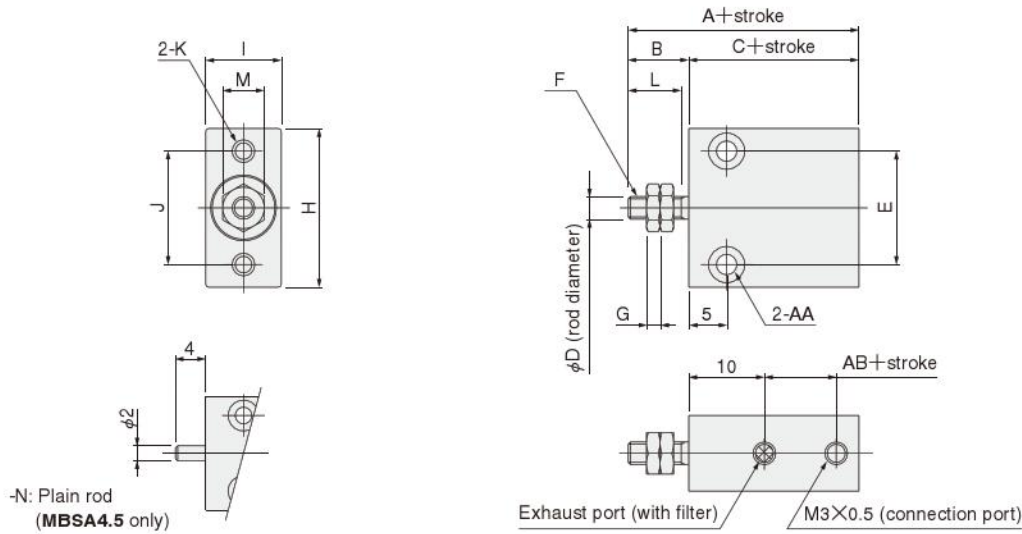


Note: When selecting the optional port location code -R or -L, the standard connection port comes with a plug.

Model	Code	A	B	C	D	E	F	G	H	I	J	K	L	M	N	O	P	AA	AB
MBDAS4.5	27	7	20	2	10	M2×0.4	1.6	15	11	10	M2.5×0.45 Depth 3	6	4	2.5	2.8	3	φ2.2 Counterbore φ4.1 Depth 8.5	7	
MBDAS6	28	8	20	3	12	M3×0.5	1.8	17	12	12	M3×0.5 Depth 4	7	5.5	4	4	4	φ2.2 Counterbore φ4.1 Depth 8	7	
MBDAS8	27.5	8	19.5	3	15	M3×0.5	1.8	21	14	15	M3×0.5 Depth 4	7	5.5	4.5	5	5	φ2.7 Counterbore φ4.8 Depth 9.5	6.5	
MBDAS10	30	10	20	4	17	M4×0.7	2.4	23	16	17	M3×0.5 Depth 4	9	7	5.5	6	6	φ2.7 Counterbore φ4.8 Depth 10.5	7	

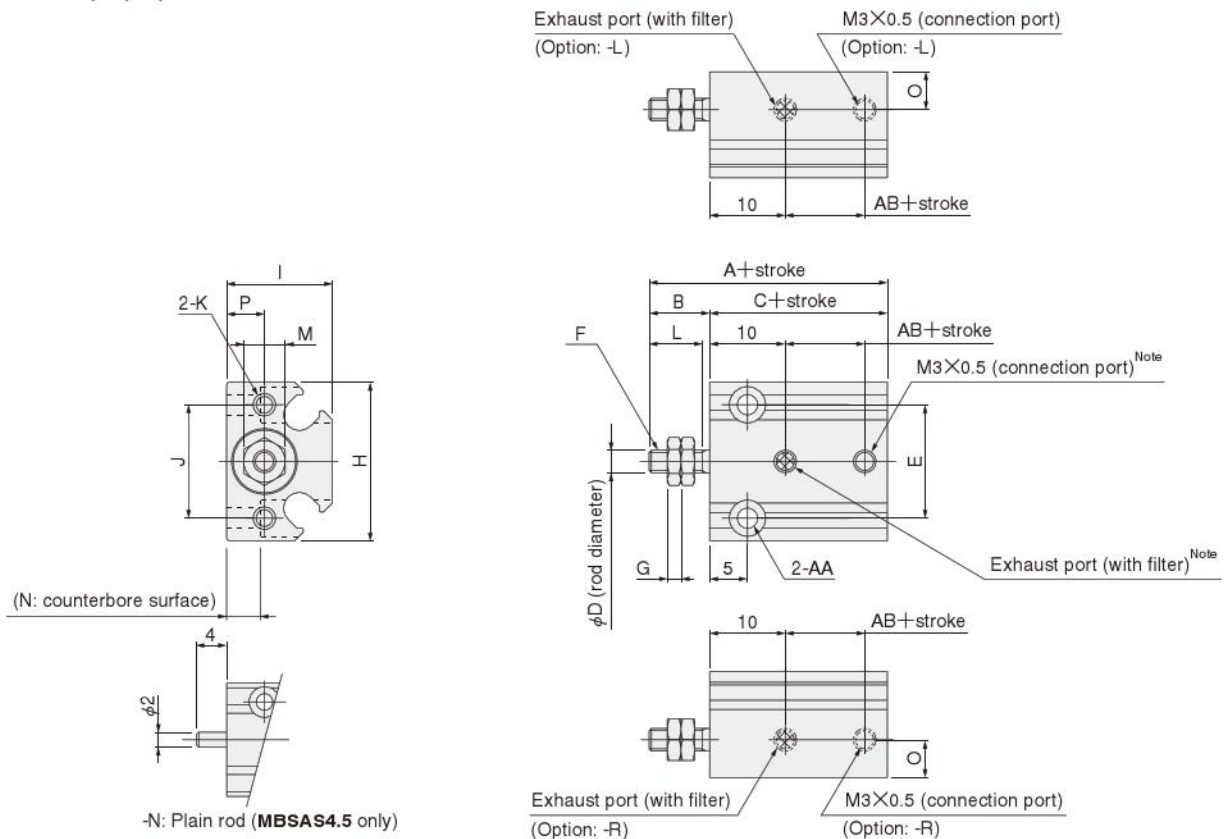
Dimensions (mm)

● Single acting push type (standard cylinder) MBSA4.5, 6, 8, 10



Model	Code	A	B	C	D	E	F	G	H	I	J	K	L	M	AA	AB
MBSA4.5		25	7	18	2	10	M2×0.4	1.6	15	6	10	M2.5×0.45 Depth 3	6	4	φ2.2 Counterbore φ4.1 Depth 2.2 (both sides)	5
MBSA6		26.5	8	18.5	3	12	M3×0.5	1.8	17	8	12	M3×0.5 Depth 4	7	5.5	φ2.2 Counterbore φ4.1 Depth 2.2 (both sides)	5.5
MBSA8		26.5	8	18.5	3	15	M3×0.5	1.8	21	10	15	M3×0.5 Depth 4	7	5.5	φ2.7 Counterbore φ4.8 Depth 3 (both sides)	5.5
MBSA10		29	10	19	4	17	M4×0.7	2.4	23	12	17	M3×0.5 Depth 4	9	7	φ2.7 Counterbore φ4.8 Depth 3 (both sides)	6

● Single acting push type (cylinder with magnet) MBSAS4.5, 6, 8, 10



Note: When selecting the optional port location code -R or -L, the standard connection port and exhaust port come with plugs.

Model	Code	A	B	C	D	E	F	G	H	I	J	K	L	M	N	O	P	AA	AB
MBSAS4.5		29	7	22	2	10	M2×0.4	1.6	15	11	10	M2.5×0.45 Depth 3	6	4	2.5	2.8	3	φ2.2 Counterbore φ4.1 Depth 8.5	9
MBSAS6		30	8	22	3	12	M3×0.5	1.8	17	12	12	M3×0.5 Depth 4	7	5.5	4	4	4	φ2.2 Counterbore φ4.1 Depth 8	9
MBSAS8		29.5	8	21.5	3	15	M3×0.5	1.8	21	14	15	M3×0.5 Depth 4	7	5.5	4.5	5	5	φ2.7 Counterbore φ4.8 Depth 9.5	8.5
MBSAS10		32	10	22	4	17	M4×0.7	2.4	23	16	17	M3×0.5 Depth 4	9	7	5.5	6	6	φ2.7 Counterbore φ4.8 Depth 10.5	9

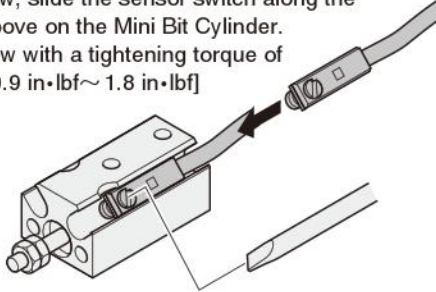
SENSOR SWITCHES

Solid State Type



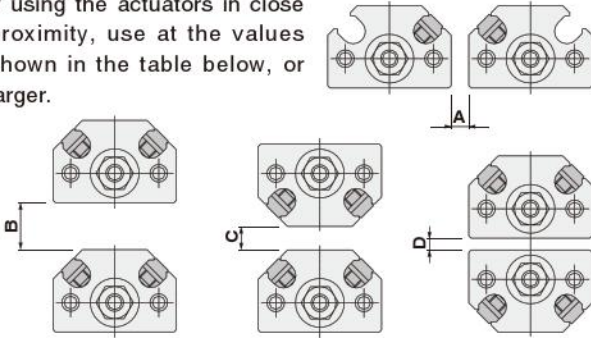
Moving Sensor Switch

- Loosen the set screw, slide the sensor switch along the switch mounting groove on the Mini Bit Cylinder.
- Tighten the set screw with a tightening torque of 0.1N·m~0.2N·m [0.9 in·lbf~1.8 in·lbf]



When Mounting Sensor Switches in Close Proximity

If using the actuators in close proximity, use at the values shown in the table below, or larger.



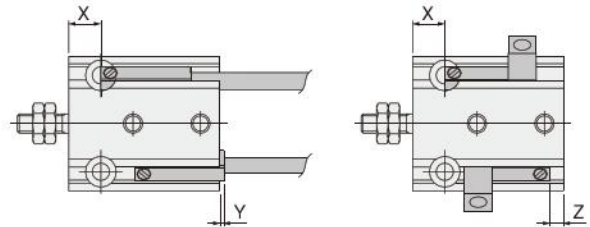
		mm [in.]			
Bore size	Item	A	B	C	D
4.5 [0.177]		2 [0.079]	6 [0.236]	1 [0.039]	2 [0.079]
6 [0.236]		4 [0.157]	9 [0.354]	5 [0.197]	3 [0.118]
8 [0.315]		3 [0.118]	8 [0.315]	4 [0.157]	2 [0.079]
10 [0.394]		2 [0.079]	8 [0.315]	4 [0.157]	1 [0.039]

Minimum Cylinder Stroke When Using Sensor Switch

		mm [in.]			
Item	Bore size	4.5 [0.177]	6 [0.236]	8 [0.315]	10 [0.394]
Mounting 1 switch		1.5 [0.059]			
Mounting 2 switches		3 [0.118]			

Mounting Location of Stroke End Detection Sensor Switch

If mounting a sensor switch in the positions shown in the diagram below (figures in the table are reference values), the magnet comes to the maximum sensing location of the sensor switch at the end of stroke.



		mm [in.]			
Item	Bore size	4.5 [0.177]	6 [0.236]	8 [0.315]	10 [0.394]
Double acting type	X	6 [0.236]	5.5 [0.217]	5 [0.197]	5 [0.197]
	Y	1.5 [0.059]	1 [0.039]	1.5 [0.059]	1 [0.039]
	Z	2 [0.079]	2 [0.079]	2 [0.079]	2.5 [0.098]
Single acting push type	X	8 [0.315]	7.5 [0.295]	7 [0.276]	7 [0.276]
	Y	1.5 [0.059]	1 [0.039]	1.5 [0.059]	1 [0.039]
	Z	2 [0.079]	2 [0.079]	2 [0.079]	2.5 [0.098]
CS specifications	X	10 [0.394]	9.5 [0.374]	9 [0.354]	9 [0.354]
	Y	1.5 [0.059]	1 [0.039]	1.5 [0.059]	1 [0.039]
	Z	2 [0.079]	2 [0.079]	2 [0.079]	2.5 [0.098]

Sensor Switch Operating Range, Response Differential, and Maximum Sensing Location

● **Operating range:** ℓ

The distance the piston travels in one direction, while the switch is in the ON position.

● **Response differential:** C

The distance between the point where the piston turns the switch ON and the point where the switch is turned OFF as the piston travels in the opposite direction.

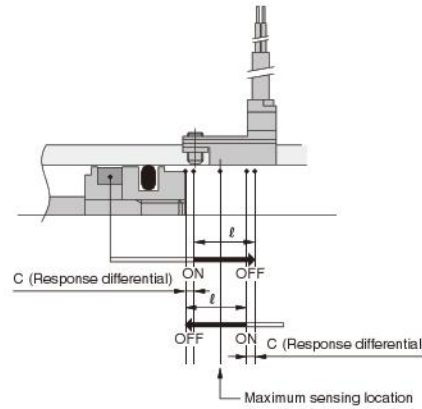
● **Solid state type**

mm [in.]

Item \ Bore size	4.5 [0.177]	6 [0.236]	8 [0.315]	10 [0.394]
Operating range: ℓ	1.6~2.8 [0.063~0.110]	1.8~3.0 [0.071~0.118]	1.8~3.0 [0.071~0.118]	2.0~3.2 [0.079~0.126]
Response differential: C	0.2 [0.008] or less			
Maximum sensing location ^{Note}	6 [0.236]			

Remark: The above table shows reference values.

Note: This is the length measured from the switch's opposite end side to the lead wire.



Order Codes

