

CABLE ASSEMBLIES INDEX



F Series

Split Type Manifold, Plug-in Type Cable Assembly by Wiring Specification	1037
FM-SOLID MANIFOLD X80M, X88M Series	
Applicable Cable Assembly Map	1039
Applicable Connector Cable Map	1040
Remote Control Box	1041

F Series Split Type Manifold, Plug-in Type Cable Assembly by Wiring Specification

Dedicated cable assemblies are provided for the various wiring specifications.

Order Codes

FMA - - -

Types of dedicated cables

- 100W : dedicated cable assembly for -F100
- 101W : dedicated cable assembly for -F101
- 200W : dedicated cable assembly for -F200
- 201W : dedicated cable assembly for -F201
- 260W : dedicated cable assembly for -F260
- 250W : dedicated cable assembly for -D250
- 251W : dedicated cable assembly for -D251

Cable length (m) : 0.5~5.0 (Enter by the 0.5m pitch)
 *Used cable: UL STYLE NO.20266 150V 80°C [176°F]
 AWG28(7/0.127 [cables/mm])

Lead wire end processing

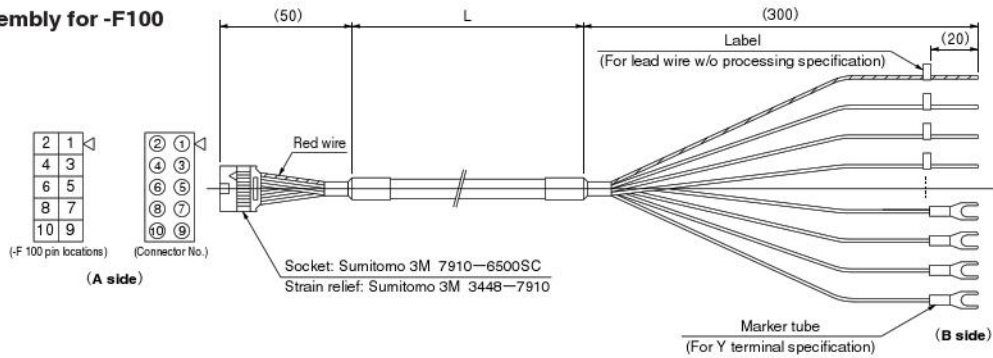
Blank : Lead wire w/o processing
 (With dedicated label/No. indication)

Y : Y terminal (M3.5)
 (With marker tube/No. indication)

Note: Always perform wiring correctly, with confirmation of the pin locations, connector numbers, label numbers, marker tube numbers, etc.

Dedicated Cable Assembly for -F100

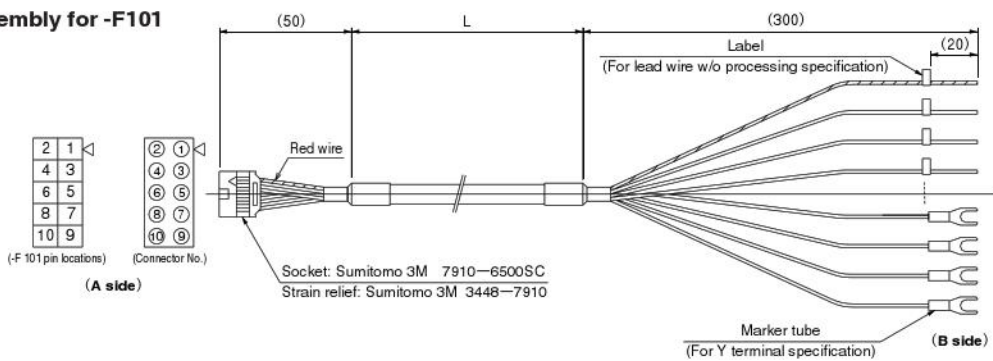
FMA-100W--



A side	-F100 pin locations	1	2	3	4	5	6	7	8	9	10
	Connector No.	①	②	③	④	⑤	⑥	⑦	⑧	⑨	⑩
B side	Label, marker tube No.	1	2	3	4	5	6	7	8	COM	COM

Dedicated Cable Assembly for -F101

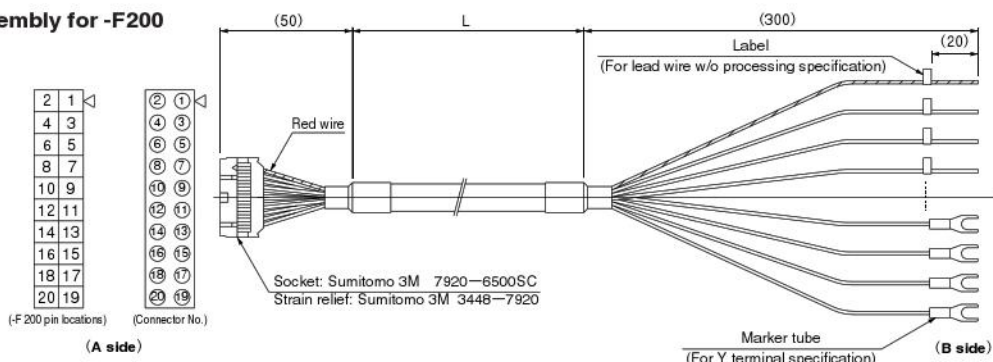
FMA-101W--



A side	-F101 pin locations	1	2	3	4	5	6	7	8	9	10
	Connector No.	①	②	③	④	⑤	⑥	⑦	⑧	⑨	⑩
B side	Label, marker tube No.	1	2	3	4	5	6	7	8	-	+

Dedicated Cable Assembly for -F200

FMA-200W--



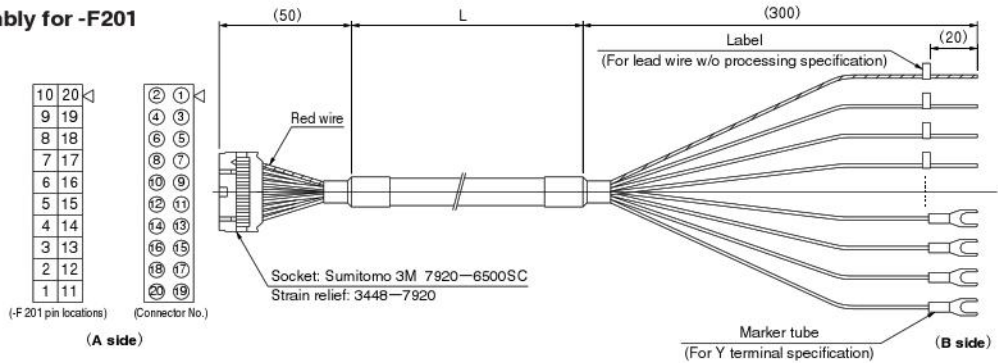
A side	-F200 pin locations	1	2	3	4	5	6	7	8	9	10	11	12	13	14	15	16	17	18	19	20
	Connector No.	①	②	③	④	⑤	⑥	⑦	⑧	⑨	⑩	⑪	⑫	⑬	⑭	⑮	⑯	⑰	⑱	⑲	⑲
B side	Label, marker tube No.	1	2	3	4	5	6	7	8	9	10	11	12	13	14	15	16	-	-	+	+

F Series Split Type Manifold, Plug-in Type Cable Assembly by Wiring Specification

● Dedicated Cable Assembly for -F201

FMA-201W-□-□

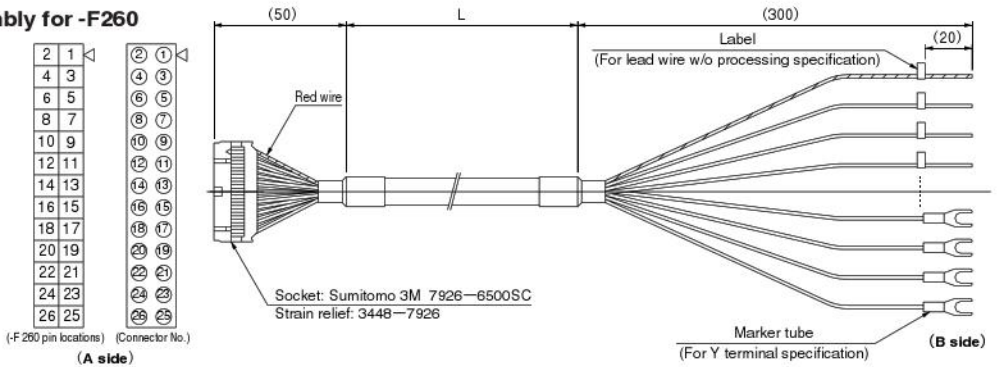
Note: Note that the pin location numbers and connector numbers sometimes do not match.



A side	-F201 pin locations	1	2	3	4	5	6	7	8	9	10	11	12	13	14	15	16	17	18	19	20
	Connector No.	20	18	16	14	12	10	8	6	4	2	19	17	15	13	11	9	7	5	3	1
B side	Label, marker tube No.	1	2	3	4	5	6	7	8	-	+	9	10	11	12	13	14	15	16	-	+

● Dedicated Cable Assembly for -F260

FMA-260W-□-□

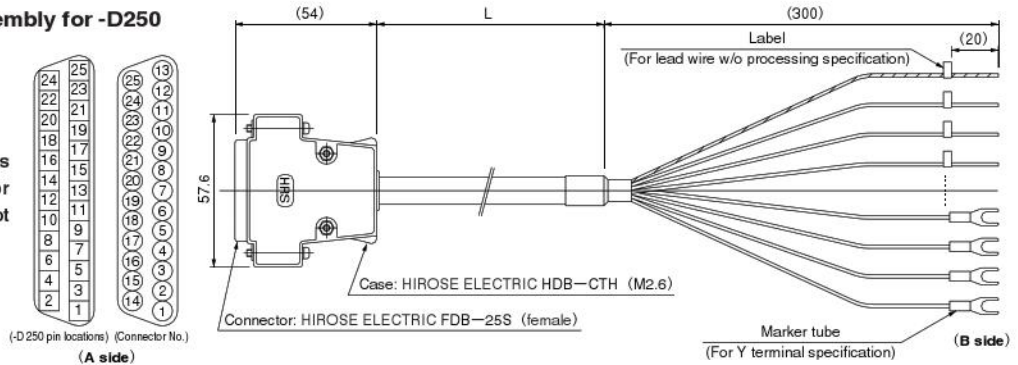


A side	-F260 pin locations	1	2	3	4	5	6	7	8	9	10	11	12	13	14	15	16	17	18	19	20	21	22	23	24	25	26
	Connector No.	1	2	3	4	5	6	7	8	9	10	11	12	13	14	15	16	17	18	19	20	21	22	23	24	25	26
B side	Label, marker tube No.	1	2	3	4	5	6	7	8	9	10	11	12	13	14	15	16	17	18	19	20	/	/	-	-	+	+

● Dedicated Cable Assembly for -D250

FMA-250W-□-□

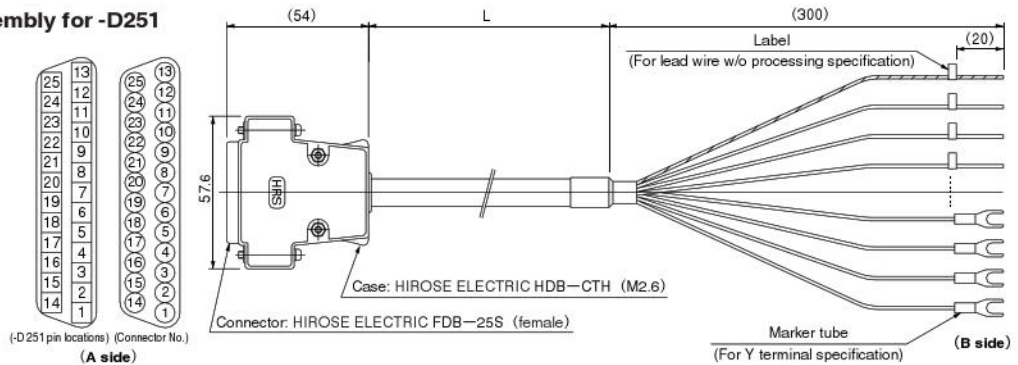
Note: Note that the pin locations numbers and connector numbers sometimes do not match.



A side	-D250 pin locations	1	2	3	4	5	6	7	8	9	10	11	12	13	14	15	16	17	18	19	20	21	22	23	24	25
	Connector No.	1	14	2	15	3	16	4	17	5	18	6	19	7	20	8	21	9	22	10	23	11	24	12	25	13
B side	Label, marker tube No.	1	2	3	4	5	6	7	8	9	10	11	12	13	14	15	16	/	/	/	-	-	-	+	+	+

● Dedicated Cable Assembly for -D251

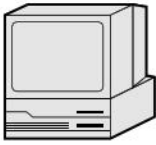
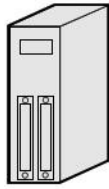
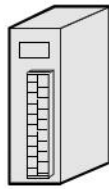

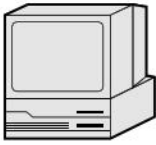
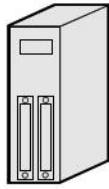
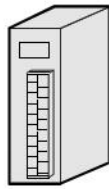





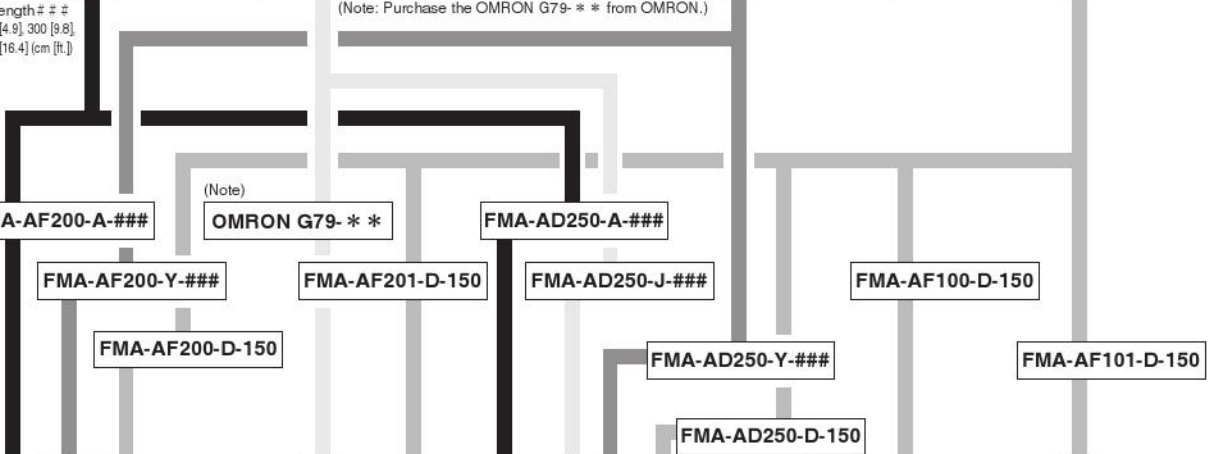



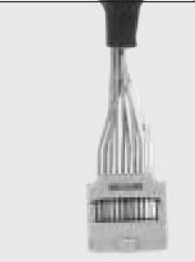






FMA-251W-□-□



A side	-D251 pin locations	1	2	3	4	5	6	7	8	9	10	11	12	13	14	15	16	17	18	19	20	21	22	23	24	25
	Connector No.	1	2	3	4	5	6	7	8	9	10	11	12	13	14	15	16	17	18	19	20	21	22	23	24	25
B side	Label, marker tube No.	1	2	3	4	5	6	7	8	9	10	/	/	11	12	13	14	15	16	17	18	19	20	+	+	

CABLE ASSEMBLIES

X80M, X88M Series Applicable Cable Assembly Map

Control side				
Connectors Output type 	Connector type output card 	Terminal block output card PC terminal output 	Remote control box Connection cable for FMA-RCB16D only 	
Connection devices 				
Connection type ● AWG28 With numbering 	● FUJITSU360 connector 24P FCN361J-024-AU connector FCN360C-024-B cover 	● M3.5(MAX) With numbering 	● D-sub connector 25P 	
Cable length # # # L = 150 [4.9] 300 [9.8] 500 [16.4] [cm [ft.]] (Note: Purchase the OMRON G79- * * from OMRON.) 	(Note: Purchase the OMRON G79- * * from OMRON.)			
Order Code FMA-AF200-A-### FMA-AF200-Y-### FMA-AF200-D-150 FMA-AF201-D-150 FMA-AD250-A-### FMA-AD250-J-### FMA-AD250-Y-### FMA-AD250-D-150 FMA-AF100-D-150 FMA-AF101-D-150	(Note) OMRON G79- * *			
Connection type 				
※ The photo shows X80M series. 	※ The photo shows X80M series. 	※ The photo shows X80M series. 		
Connection module FM-SOLID MANIFOLD Wiring module FMCR-F200-DC □ V FMC-F200-DC □ V ● Flat cable connector 20P	FM-SOLID MANIFOLD Wiring module FMCR-F201-DC □ V FMC-F201-DC □ V ● Flat cable connector 20P	FM-SOLID MANIFOLD Wiring module FMCR-D250-M2.6-DC □ V FMC-R250-M2.6-DC □ V FMC-D250-M2.6-DC □ V ● D-sub connector 25P	FM-SOLID MANIFOLD Wiring module FMCR-F100-DC □ V ● Flat cable connector 10P	FM-SOLID MANIFOLD Wiring module FMCR-F101-DC □ V ● Flat cable connector 10P
Operation side				