

Handy Surface Potential Meter DTY-KVS11

**Non-contact measurement of charged object surface potential!
Ideal for daily static electricity management!**



Bright, large color LCD



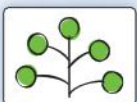
Measurement using
simple button
operations



Rotary sensor head



- 180 degrees rotatable head.
- 5 position hold every 45 degrees
- Simple measurement where space is limited!



KOGANEI Brand

All products are **RoHS** compliant



CAUTION

Before use, be sure to read the ionizer "Safety Precautions" in Catalog No. BK-R0001 and the Instruction Manual.

Measurement distance adjustment

Red LED emits a light mark that serves as the target focal point.



Ion balance check

Ionizer ion balance can be checked using an optional monitor plate.



Reference 1: Measured values do not necessarily match IEC standards.
 2: Concerning the ionizer and monitor plate distances, refer to the minimum setup distances recommended by each ionizer manufacturer.

Applications

- Checking of the charge state of films, membranes, etc.
- Production control by measuring charge states at each production line location

Order Codes

- Handy surface potential meter
DTY-KVS11



- Monitor plate
DTY-ZMP-KVS11

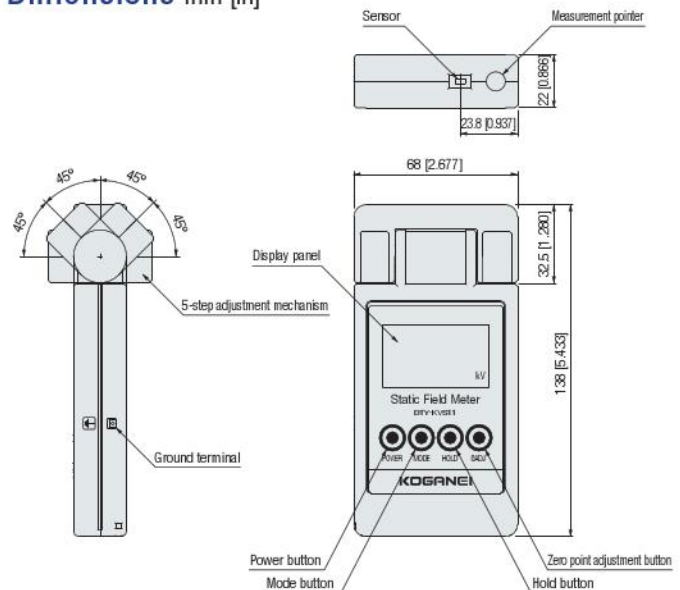
Calibration, traceability

Calibration Certificate, Inspection Report, and Traceability Chart available (for a charge).

Specifications

Item	Model	DTY-KVS11
Measurement potential ranges		Normal mode: 0.00 to ± 19.99 kV I.B mode: 0.000 to ± 1.999 kV
Signal sensing method		Vibration chopper system
Display data refresh frequency		0.5 seconds
Measurement accuracy		$\pm 10\%$ rdg, ± 2 digit
Measurement distance		30 mm [1.18 in] (Space between item being measured and detector)
Measurement distance adjustment		Red LED light focusing system (Light mark focal distance: 30 mm [1.18 in])
Head rotation angle		180° (stops at each 45°, 5 positions)
Mode switching		MODE button switching
Battery check		Remaining level indicator on the display
Power		6P 9VDC alkaline square battery
Storage temperature, humidity range		0 to 40°C, 20 to 70% RH (non-condensation)
Mass		160 g [5.64 oz]
Accessories		9V battery, soft case, grounding cable, strap

Dimensions mm [in]



CAUTION

Do not allow the unit to be subjected to impact. Dropping the unit or otherwise subjecting it to impact can damage or degrade the sensor, and use of the unit may result in defective operation. Take care to ensure that the unit is never subjected to impact.

URL <http://www.koganei.co.jp>

E-mail: overseas@koganei.co.jp



KOGANEI CORPORATION

OVERSEAS DEPARTMENT
 3-11-28, Midori-cho, Koganei City, Tokyo 184-8533, Japan
 Tel: 042-383-7271 Fax: 042-383-7276

SHANGHAI KOGANEI INTERNATIONAL TRADING CORPORATION
 Room 2606-2607, Tongda Venture Building No.1, Lane 600, Tianshan Road,
 Shanghai, 200051, China
 Tel: 021-6145-7313 Fax: 021-6145-7323

KOGANEI-PORNCHAI CO., LTD.
 89/174 Moo 3, Vibhavadee Rangsit Road, Talad Bangkhen, Laksi, Bangkok, 10210,
 Thailand
 Tel: 02-551-4025 Fax: 02-551-4015