

KOGANEI

<http://www.koganei.co.jp>

Catalog No.BK-P048-②

NEW
Products

Static Electricity Removing Unit Ionizer

Air gun type

DTY-ELG21



□ Features

- The product has a 200g light weight body, and designed for easy holding.
20% reduction in weight (compared to our products)
- A high-frequency AC method provides high efficiency of electrostatic charge removal and outstanding ion balance.
- Highly flexible robot cable is used for connection.
- A separate controller is unnecessary because a valve and ion generator is built in.
- Pulsed air improves energy saving/dust removal efficiency by installing a pulse blow unit (sold separately).

□ Specification

Model		DTY-ELG21
Item	Model	DTY-ELG21
Input voltage	V	DC24 ± 5%
Consumption current	mA	Approx. 100
Output voltage	kV	Approx. 2.5 (high frequency type)
Display	Power	Power indicator LED (green)
	Alarm	Alarm indicator LED (red)
Outer dimensions	mm	164.6 (L) × 25 (W) × 135.8 (H) (not including protrusions)
Mass	g	200(without cables)
Ion balance *1	V	± 15
Ozone generation amount *2	ppm	0.04 or less
Medium *3		Air (clean air, water vapor and oil removed)
Operating air pressure range	MPa	0.05 ~ 0.6
Operating Environment		Indoors: 0 to 40°C/65% or less (non-condensation)
Material		Body: PBT, Nozzle: PPS
Accessories		AC Adapter, Instruction Manual

*1: Distance 100mm from nozzle port, pressure 0. 6MPa

*2: Distance 200mm from the nozzle port, Pressure 0. 2MPa

*3: Be sure to supply air when using.

Remark 1 : Ion balance is measured according to our measurement conditions.

2: Do not use other nozzles other than DTY-ZN1-G21.

Order codes

● Main unit

DTY-ELG21

Main unit



Cable length :3000 mm



AC adapter (accessory)
 Rating
 input : AC100~240V
 50/60Hz 0.58A
 Output : DC24V 1A
 Cable length: 300 mm

● Options (sold separately)

Replacement tungsten discharge needle (unit: 5 per set)

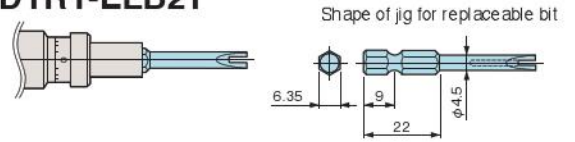
DTRY-ZEM-G11

NOTE : For ELG11/21 air gun type only

Special tool for replacing discharge needle

NOTE: Only bits are for sale.

DTRY-ELB21



Shape of jig for replaceable bit

AC Adapter (300mm)
DTRY-ZPS-G11



Replacement nozzle
DTY-ZN1-G21



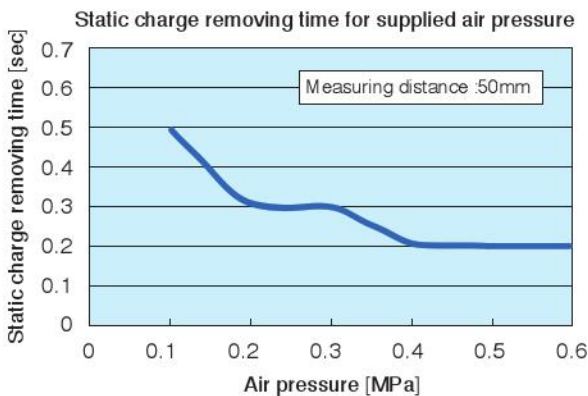
※ DReplacement nozzle only for DTY-ELG21

Replacement of discharge needle

When replacing the discharging needle, use the dedicated tool **DTRY-ELB21** in combination with a torque driver. The dedicated tool is designed not to damage the discharge needle or the threaded part of the main body. Replacing with another tool may cause damage to the discharge needle and main body, etc. The tightening torque for replacement should be 15 to 20N·cm. If the discharge needle is replaced without using the dedicated tool and the discharge needle, main body, etc. are damaged, the warranty will not cover.

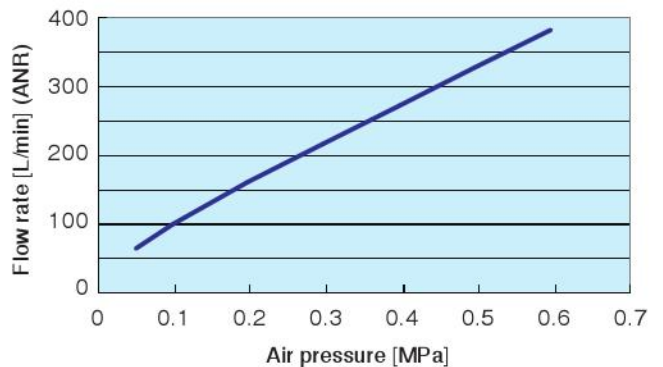
NOTE: When replacing the nozzle or take off the nozzle for the maintenance of the discharge needle, tighten the nozzle securely by hand without using a tool.

Static charge removal characteristics



Note 1 : Measured using a 150 mm, 20pF charged plate monitor.
 Note 2 : The static charge removing time is the decay time from ± 1000 V to ± 100 V.
 Note 3 : The above data are actual measurement valve and are not guaranteed.

Flow characteristics

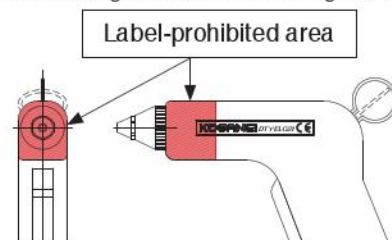


NOTE: The above data are actual measurements and are not guaranteed.

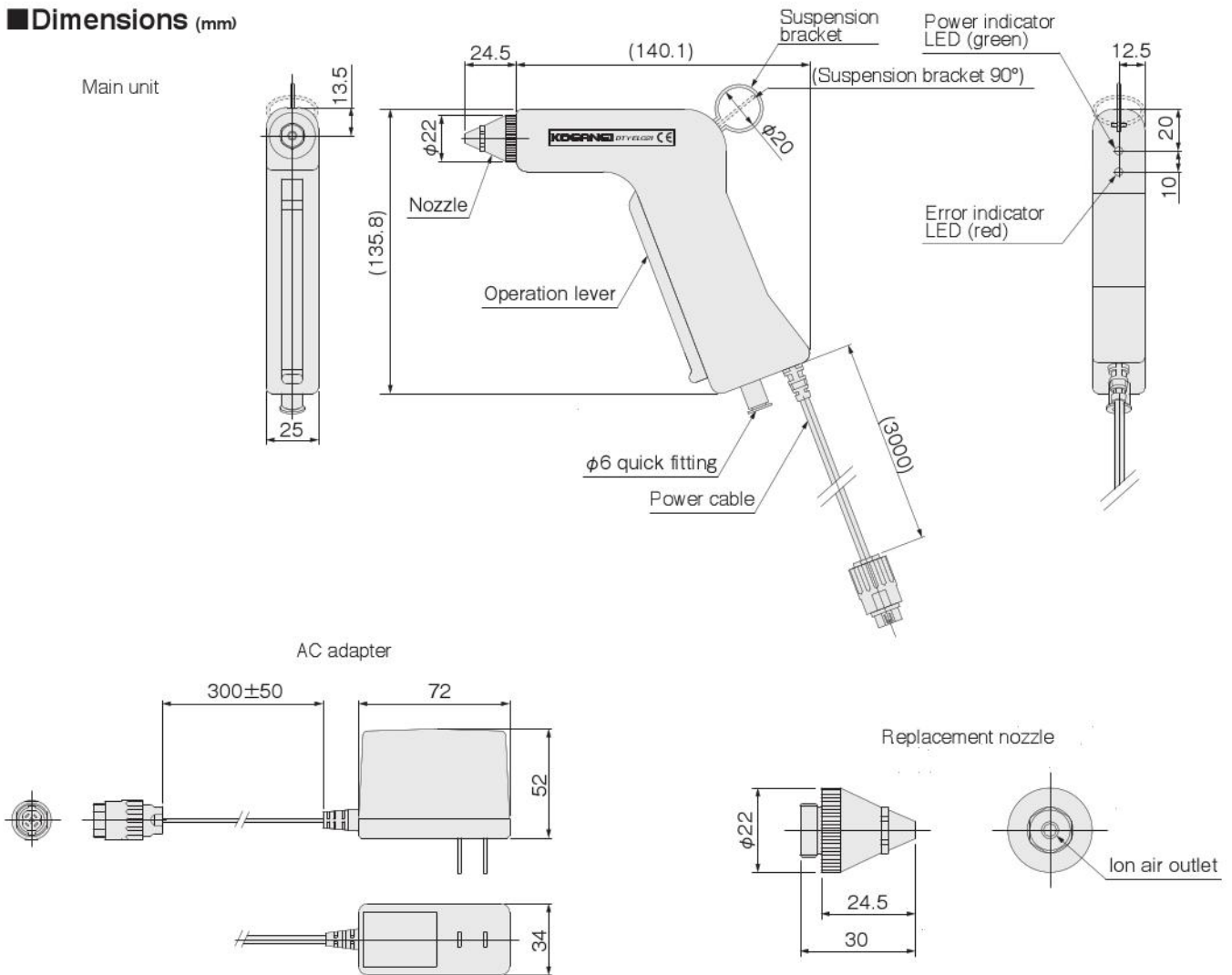
Warning

- Do not point the tip of the nozzle at a person.
- Use safety glasses and earplugs because blowing air could blow objects into people's eyes or cause hearing loss.
- ※ Be sure to read the safety precautions (common to the ionizers) and handling instructions and precautions (common precautions) on the website prior to using the product.

- Do not attach conductive or static-diffusing (Antistatic·Electrostatic countermeasure products) labels to the upper part of the main unit. The label may be charged by induction. Use insulating labels when attaching labels.



■ Dimensions (mm)



■ Pulse blow unit application example

Air gun ionizer can be used as a pulse blow gun simply by installing a pulse blow unit.



When a pulse blow unit is installed

- ※ 1: Contact our sales representative for DTY-ELG21 performance when a pulse blow unit is installed.
- ※ 2: Refer to the Pulse Blow Series CatalogNo: BK-P393 for detailed specifications of a pulse blow unit.
- ※ 3: Pulse blow unit Mass 66 g.

Pulse blow unit PAU-7W



- IN Port size : Rc1/4
- Jack size: $\phi 6$
- Non-oil specification (fluorine-based quick-drying lubricant is applied)
- Operating air pressure range: 0.35 to 0.7MPa

Pulse blow unit (low pressure type) PAU-8W



- IN Port size : Rc1/4
- Jack size: $\phi 6$
- Non-oil specification (fluorine-based quick-drying lubricant is applied)
- Operating air pressure range: 0.2 to 0.5MPa

Limited Warranty

KOGANEI CORP. warrants its products to be free from defects in material and workmanship subject to the following provisions.

Warranty Period The warranty period is **180** days from the date of delivery.

Koganei Responsibility If a defect in material or workmanship is found during the warranty period, KOGANEI CORP. will replace any part proved defective under normal use free of charge and will provide the service necessary to replace such a part.

Limitations

- This warranty is in lieu of all other warranties, expressed or implied, and is limited to the original cost of the product and shall not include any transportation fee, the cost of installation or any liability for direct, indirect or consequential damage or delay resulting from the defects.

- KOGANEI CORP. shall in no way be liable or responsible for injuries or damage to persons or property arising out of the use or operation of the manufacturer's product.

- This warranty shall be void if the engineered safety devices are removed, made inoperative or not periodically checked for proper functioning.

- Any operation beyond the rated capacity, any improper use or application, or any improper installation of the product, or any substitution upon it with parts not furnished or approved by KOGANEI CORP., shall void this warranty.

- This warranty covers only such items supplied by KOGANEI CORP. The products of other manufacturers are covered only by such warranties made by those original manufacturers, even though such items may have been included as the components.

The specifications are subject to change without notice.

URL <http://www.koganei.co.jp>

E-mail: overseas@koganei.co.jp



KOGANEI CORPORATION

OVERSEAS DEPARTMENT

3-11-28, Midori-cho, Koganei City, Tokyo 184-8533, Japan
Tel: 81-42-383-7271 Fax: 81-42-383-7276

KOGANEI INTERNATIONAL AMERICA, INC.

48860 Milmont Drive, suite 108C, Fremont, California 94538
Tel: 1-510-744-1626 Fax: 1-510-744-1676

SHANGHAI KOGANEI INTERNATIONAL TRADING CORPORATION

Room 2606-2607, Tongda Venture Building No.1, Lane 600, Tianshan Road,
Shanghai, 200051, China
Tel: 86-21-6145-7313 Fax: 86-21-6145-7323

TAIWAN KOGANEI TRADING CO., LTD.

Rm. 2, 13F., No88, Sec. 2, Zhongxiao E. Rd., Zhongzheng Dist., Taipei City 100,
Taiwan (ROC)
Tel: 886-2-2393-2717 Fax: 886-2-2393-2719

KOGANEI KOREA CO., LTD.

6F-601, Tower Bldg., 1005, Yeongdeog-dong, Giheung-gu, Yongin-si, Gyeonggi-do,
446-908, Korea
Tel: 82-31-246-0414 Fax: 82-31-246-0415

KOGANEI (THAILAND) CO., LTD.

3300/90, Tower B, Elephant Tower, 16th Fl., Phaholyothin Road, Chomphon,
Chatuchak, Bangkok 10900, Thailand
Tel: 66-2-937-4250 Fax: 66-2-937-4254

KOGANEI AUTOMATION (MALAYSIA) SDN.BHD.

Suite 29-2, Level 29, Menara 1MK, No.1, Jalan Kiara, Mont Kiara
50480, Kuala Lumpur, Malaysia
Tel: 60-12-537-7086

KOGANEI ASIA PTE. LTD.

69 Ubi Road 1, #05-18 Oxley Bizhub, Singapore 408731
Tel: 65-6293-4512 Fax: 65-6293-4513