

# CS3M□, 4M□, 5M□



## Reed Switch Type Sensor Switch

### Applicable cylinders

- Slim cylinders ● Twinport cylinders ● GA ● ORC ● ORCA ● ORGA ● ORK Note
- MRG ● RAK ● Swing cylinders ● Twist cylinders

Note: Excluding  $\phi 16$  [0.630in.].

### Specifications

Item	Model	CS3M□	CS4M□	CS5M□
Wiring type		2-lead wire		
Load voltage		DC10~30V	AC85~230V (r.m.s.)	DC10~30V
			AC85~115V (r.m.s.)	DC3~30V
				AC85~115V (r.m.s.)
Load current		10~50mA <sup>Note 1</sup>	10~50mA(AC85~115V) <sup>Note 1</sup> 5~15mA(AC115~230V) <sup>Note 1</sup>	5~25mA <sup>Note 1</sup>
				5~20mA <sup>Note 1</sup>
				0.1~60mA
				2~25mA
Internal voltage drop <sup>Note 2</sup>		2.5V MAX. (At 50mA load current)		2.2V MAX. (At 25mA load current)
Leakage current		0mA		
Response time		1ms MAX.		
Insulation resistance		100M $\Omega$ MIN. (At DC500V Megger, between case and lead wire end)		
Dielectric strength		AC2200V (50/60Hz) in 1 minute (Between case and lead wire end)	AC1500V (50/60Hz) in 1 minute (Between case and lead wire end)	
Shock resistance <sup>Note 3</sup>		294.2m/s <sup>2</sup> [30G] (Non-repeated shock)		
Vibration resistance <sup>Note 3</sup>		88.3m/s <sup>2</sup> [9G] (Total amplitude 1.5mm [0.06in.], 10~55Hz), Resonance frequency 5000 $\pm$ 400Hz		
Operation indicator		When ON: Red LED indicator lights up		—
Lead wire <sup>Note 4</sup>		PVC 0.2SQ $\times$ 2-lead $\times$ $\ell$		
Ambient temperature		0~60°C [32~140°F]		
Storage temperature range		-10~70°C [14~158°F]		
Contact protection		Required (See contact protection on p.1566.)		
Mass		20g [0.71oz.] (For lead wire length A: 1000mm)		

Notes: 1. Ta=37°C [98.6°F]

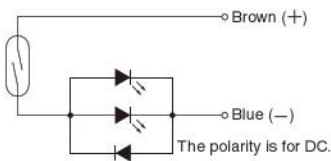
2. The internal voltage drop depends on load current.

3. Measured by Koganei test standard.

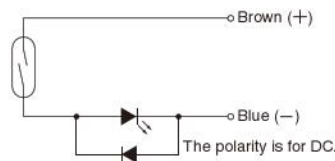
4. Lead wire length  $\ell$ : A; 1000mm [39in.], B; 3000mm [118in.]

### Internal Circuit

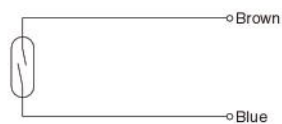
#### CS3M□



#### CS4M□

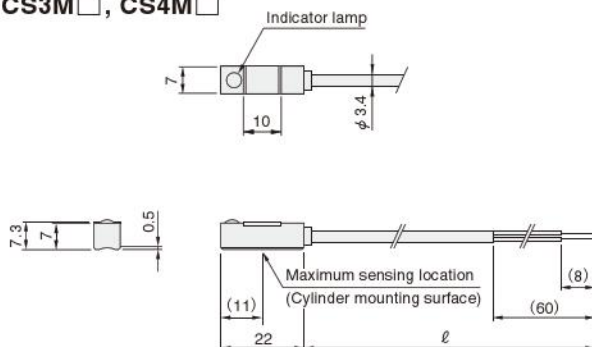


#### CS5M□



### Dimensions (mm)

#### CS3M□, CS4M□



#### CS5M□

