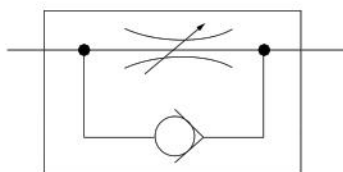


Symbol



Specifications

Type	Standard type	Mini type	Union straight type	Large flow type
Mounting type	Direct mounting on cylinder		_____	Direct mounting on cylinder
Media	Air (Cannot be used in vacuum systems)			
Operating pressure range	0~0.9MPa [0~131psi.]			
Operating temperature range	5~60°C [41~140°F]			
Recommended tube	Nylon tube, urethane tube			
Sales unit	1 pc.			

Cautions: The tube outer diameter accuracy should be, for nylon tubes, within $\pm 0.1\text{mm}$ [$\pm 0.004\text{in.}$] of the nominal dimensions, and for urethane tubes, within $\pm 0.15\text{mm}$ [$\pm 0.006\text{in.}$] of the nominal dimensions, while the ovalness (difference between long diameter and short diameter) should be within 0.2mm [0.008in.].

Cracking pressure

Mounting thread size	Cracking pressure
M5	0.1 [15]
01	0.1 [15]
02	0.06 [9]
03	0.07 [10]
04	0.08 [12]

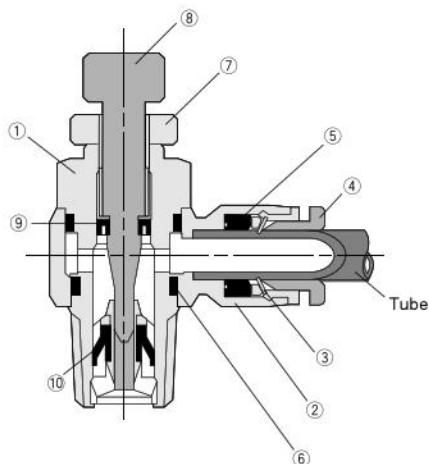
Tube size	Cracking pressure
$\phi 4$	0.1 [15]
$\phi 6$	0.1 [15]
$\phi 8$	0.06 [9]
$\phi 10$	0.06 [9]
$\phi 12$	0.06 [9]

Mounting thread size	Cracking pressure
M3	0.1 [15]
M5	0.1 [15]
01	0.1 [15]
02	0.06 [9]

Mounting thread size	Cracking pressure
01	0.07 [10]
02	0.05 [7]
03	0.05 [7]
04	0.05 [7]

Inner Construction, Major Parts and Materials

- Standard type
- Large flow type
- Mini type

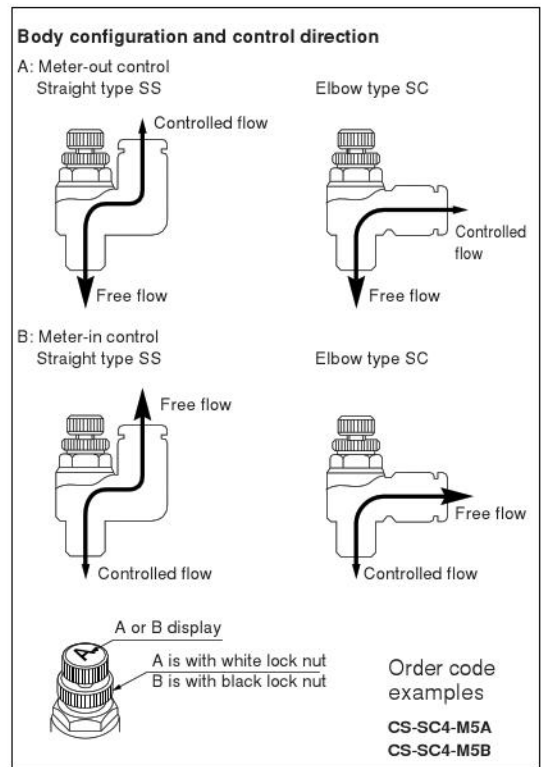
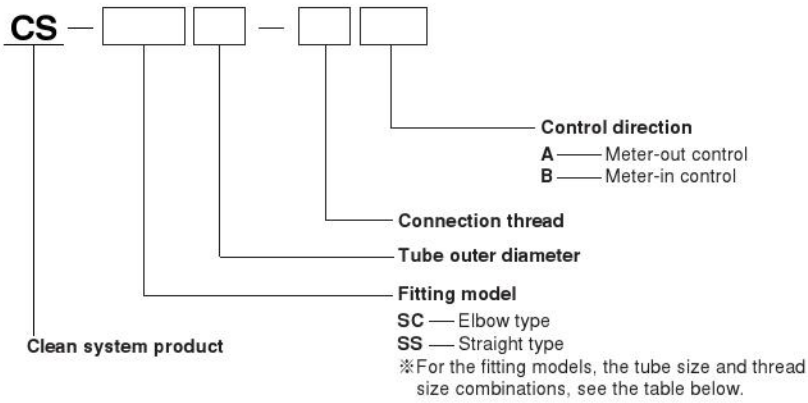


No.	Parts	Materials
①	Metal body	Brass (nickel plated ^{Note})
②	Plastic body	Polybutylene terephthalate
③	Lock claw	Stainless steel
④	Release ring	Polyacetal
⑤	Elastic sleeve	Synthetic rubber (NBR)
⑥	O-ring	Synthetic rubber (NBR)
⑦	Lock nut	Aluminum
⑧	Needle	Brass
⑨	V-seal	Synthetic rubber (NBR)
⑩	Diaphragm	Synthetic rubber (NBR)

Note: For Mini type only

Order Codes

● Standard type



● SC: Elbow



Tube size mm	Thread size				
	M5×0.8	R1/8	R1/4	R3/8	R1/2
4	M5	01	—	—	—
6	M5	01	02	03	—
8	—	01	02	03	04
10	—	—	02	03	04
12	—	—	—	03	04

● SS: Straight

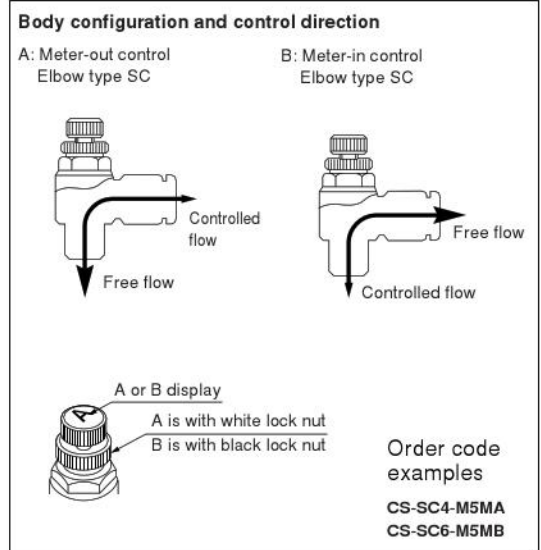
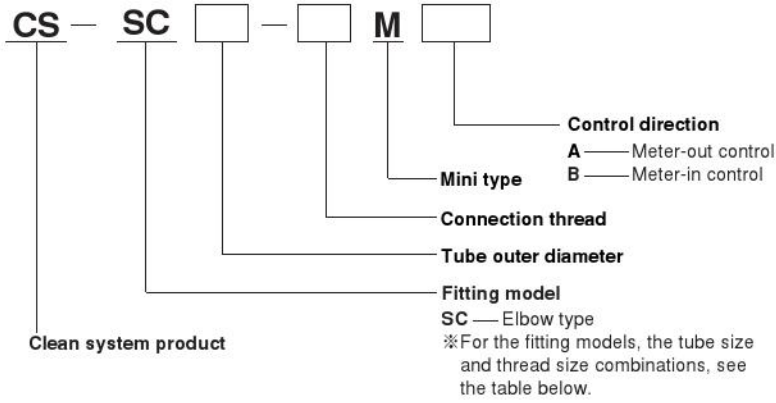


Tube size mm	Thread size				
	M5×0.8	R1/8	R1/4	R3/8	R1/2
4	M5	01	—	—	—
6	M5	01	02	—	—
8	—	01	02	03	—
10	—	—	02	03	—
12	—	—	—	03	04

Note: For details of the dimensions, see the General Catalog of Air Treatment, Auxiliary, Vacuum.

Order Codes

● Mini type



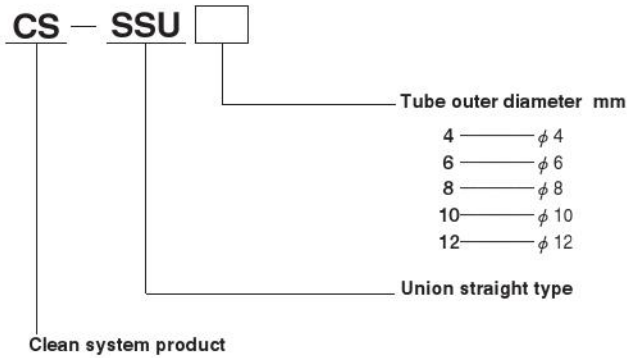
● SC: Elbow



Tube size mm	Thread size			
	M3×0.5	M5×0.8	R1/8	R1/4
3	M3	M5	—	—
4	M3	M5	01	—
6	—	M5	01	02

Note: For details of the dimensions, see the General Catalog of Air Treatment, Auxiliary, Vacuum.

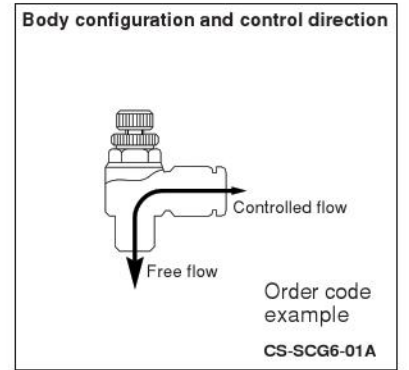
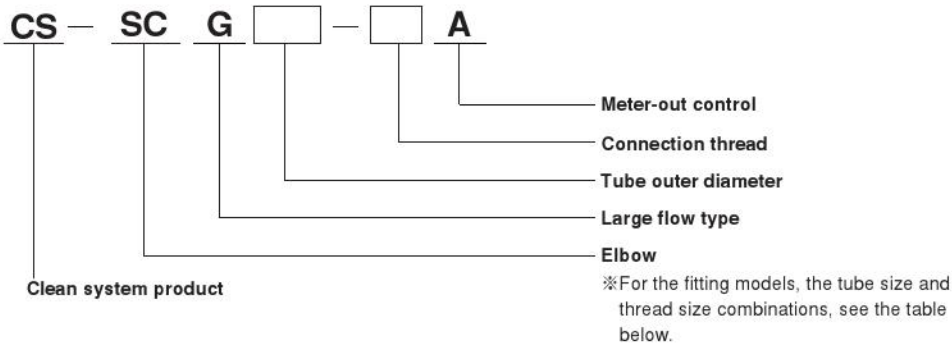
● Union straight type



- Notes: 1. For the union straight type, no order code is available for control direction.
To determine the mounting direction, check the speed controller's symbol mark on the side of the body.
2. For details of the dimensions, see the General Catalog of Air Treatment, Auxiliary, Vacuum.

Order Codes

● Large flow type



Caution: The large flow type can be identified by the AG mark on the needle head, and by the blue lock nut.

● SC: Elbow



Tube size mm	Thread size			
	R1/8	R1/4	R3/8	R1/2
6	01	02	—	—
8	01	02	03	—
10	—	02	03	—
12	—	—	03	04

Note: For details of the dimensions, see the General Catalog of Air Treatment, Auxiliary, Vacuum.