



# Smallest Lightest Compact Basic Cylinders

## BC Cylinders

**Possible to create all assembly processes with just BC cylinders**

*Wide range of variations from  $\phi 6$  to  $\phi 125$  [0.236 to 4.921]*

**NEW** Heat resistant specification, clean room specification, with locating pin hole, and more!



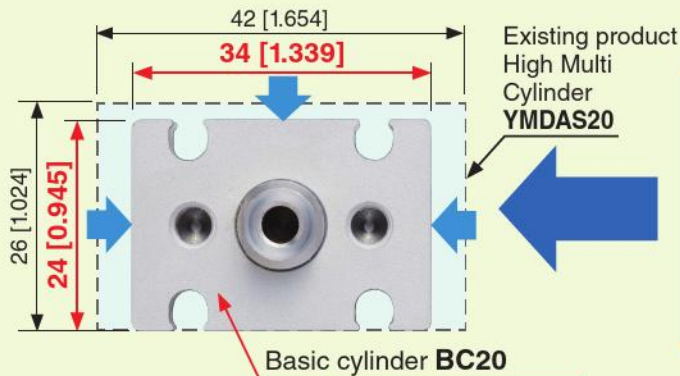
**NEW Variations!**

- Corrosion resistant, heat resistant, scraper specifications
- Clean system compatible cylinders
- With locating pin hole (option with guide)
- Double rod cylinders: Selectable thread type
- Piston rod end shape (order made)

# Basic Cylinders

## BASIC CYLINDERS

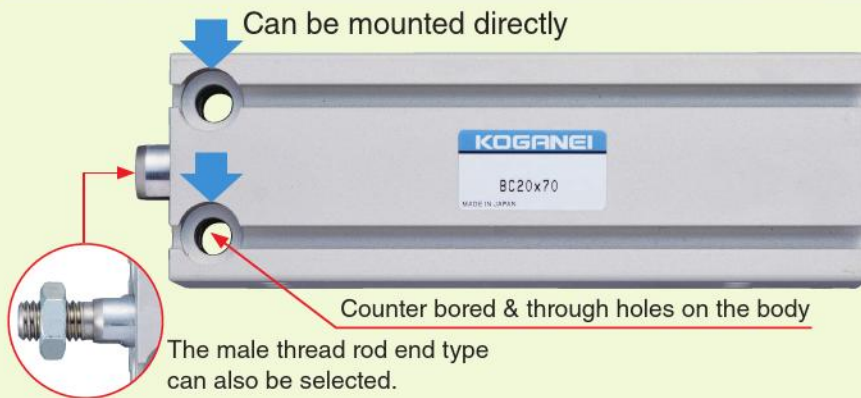
### Lightweight & Compact



Cross section is **25% smaller**  
Total length is **30% shorter**  
**40% less mass**

\* Comparison of 10 mm [0.394 in.] stroke

### Direct mounting



Bracket can be mounted on the head side of  $\phi 10$  to  $\phi 125$  [0.394 to 4.921] models. (except when guide is attached)

Bracket material  
 $\phi 10$  to  $\phi 32$  [0.394 to 1.260]: Stainless steel  
 $\phi 40$  to  $\phi 125$  [1.575 to 4.921]: Aluminum alloy

### Excellent series ranging from $\phi 6$ to $\phi 125$ [0.236 to 4.921] (Double acting type and double rod end cylinders)

**H1 grease compatibility as standard**

(Compliant with H1 grade food equipment specifications)

Uses NSF H1 grade grease.

**150°C [302°F] compatibility for heat resistant standard**



**CAUTION** Read the safety precautions on page 7 before using this product.

# Cylinder with guide

φ8 [0.315], φ12 [0.472], φ16 [0.630], φ20 [0.787], φ25 [0.984], φ32 [1.260], φ40 [1.575]

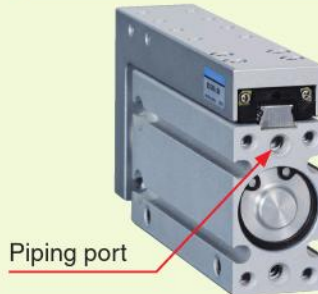
Linear guide is mounted to save space and for non-rotating accuracy



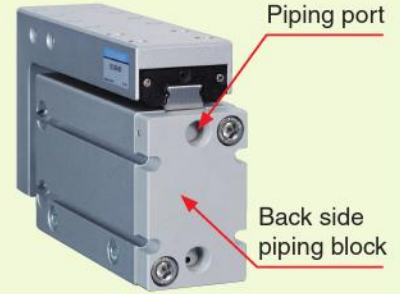
With locating pin hole (option)  
\* Main unit three sides, table two sides



## Back side piping is possible



Piping port



Piping port

Back side piping block

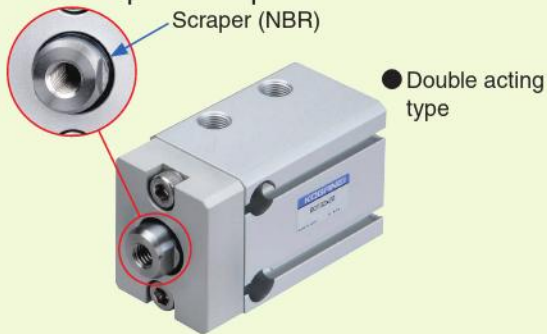
Back side piping is possible as standard for φ8 to φ25 [0.315 to 0.984] models.

Back side piping is possible for φ32 [1.260] and φ40 [1.575] models by selecting back side piping block.

Note: Linear guides use low dust grease.

## Scraper specification

Compatible with environments where dust and water droplets are present.



Scraper (NBR)

● Double acting type

## Clean system compatible cylinders

### Clean room rating

With dust collection port: Class 5 equivalent

Without dust collection port: Class 6 equivalent

● Double acting type



With dust collection port



● Cylinder with guide (Without dust collection port)



φ63  
[2.480]



φ80  
[3.150]



φ100  
[3.937]



φ125  
[4.921]

<b>INDEX</b> Features .....	1	Double rod end cylinders .....	54	Piston rod end shape pattern diagrams ...	91
Safety Precautions .....	7	Cylinder with guide .....	65	Additional Parts .....	92
Handling Instructions and Precautions ...	10	Clean system compatible cylinders ...	73	Sensor switches .....	94
Double acting type, single acting push type, single acting pull type ...	23	Bracket .....	89		

# Variations

## ■ Double acting type 23 Page

$\phi 6$  to  $\phi 125$  [0.236 to 4.921] ( $\phi 6$  [0.236],  $\phi 8$  [0.315],  $\phi 10$  [0.394],  $\phi 12$  [0.472],  $\phi 16$  [0.630],  $\phi 20$  [0.787],  $\phi 25$  [0.984],  $\phi 32$  [1.260],  $\phi 40$  [1.575],  $\phi 50$  [1.969],  $\phi 63$  [2.480],  $\phi 80$  [3.150],  $\phi 100$  [3.937],  $\phi 125$  [4.921])

\* Double acting type has excellent low-speed operation (range of speeds: 10 to 500 mm/s [0.394 to 19.685 in/sec]).



## ■ Single acting push type 23 Page

$\phi 6$  to  $\phi 50$  [0.236 to 1.969]  
( $\phi 6$  [0.236],  $\phi 8$  [0.315],  $\phi 10$  [0.394],  $\phi 12$  [0.472],  $\phi 16$  [0.630],  $\phi 20$  [0.787],  $\phi 25$  [0.984],  $\phi 32$  [1.260],  $\phi 40$  [1.575],  $\phi 50$  [1.969])



## ■ Single acting pull type 23 Page

$\phi 6$  to  $\phi 50$  [0.236 to 1.969]  
( $\phi 6$  [0.236],  $\phi 8$  [0.315],  $\phi 10$  [0.394],  $\phi 12$  [0.472],  $\phi 16$  [0.630],  $\phi 20$  [0.787],  $\phi 25$  [0.984],  $\phi 32$  [1.260],  $\phi 40$  [1.575],  $\phi 50$  [1.969])



## ■ Double rod end cylinders 54 Page

$\phi 6$  to  $\phi 125$  [0.236 to 4.921]  
( $\phi 6$  [0.236],  $\phi 8$  [0.315],  $\phi 10$  [0.394],  $\phi 12$  [0.472],  $\phi 16$  [0.630],  $\phi 20$  [0.787],  $\phi 25$  [0.984],  $\phi 32$  [1.260],  $\phi 40$  [1.575],  $\phi 50$  [1.969],  $\phi 63$  [2.480],  $\phi 80$  [3.150],  $\phi 100$  [3.937],  $\phi 125$  [4.921])



## ■ Cylinder with guides 65 Page

$\phi 8$  to  $\phi 40$  [0.315 to 1.575] ( $\phi 8$  [0.315],  $\phi 12$  [0.472],  $\phi 16$  [0.630],  $\phi 20$  [0.787],  $\phi 25$  [0.984],  $\phi 32$  [1.260],  $\phi 40$  [1.575])



## ◆ Corrosion resistant specification

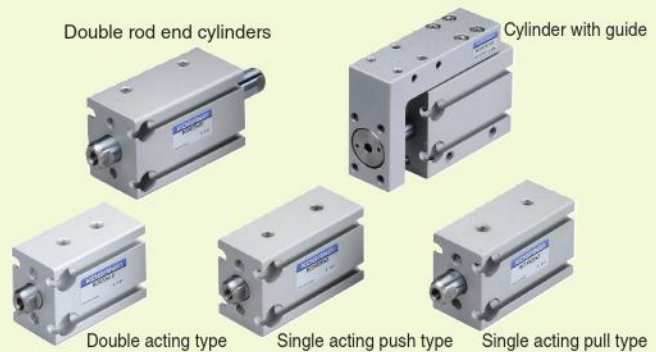
- Piston rod: Stainless steel
- Snap ring: Electroless nickel plated
- Guide: H1 grease • Packing: NBR

### Compatible cylinders

- Double acting type  $\phi 6$  to  $\phi 125$  [0.236 to 4.921] **23** Page
- Single acting push type, single acting pull type  $\phi 6$  to  $\phi 50$  [0.236 to 1.969] **23** Page
- Double rod end cylinders  $\phi 6$  to  $\phi 125$  [0.236 to 4.921] **54** Page
- Cylinder with guide  $\phi 8$  to  $\phi 40$  [0.315 to 1.575] **65** Page

Double rod end cylinders

Cylinder with guide



Double acting type

Single acting push type

Single acting pull type

## ◆ Heat resistant specification

Up to a maximum of 150°C [302°F].

- Packing: fluoro rubber
- Note: Sensor switch cannot be attached.

### Compatible cylinders

- Double acting type  $\phi 6$  to  $\phi 125$  [0.236 to 4.921] **23** Page
- Cylinder with guide  $\phi 8$  to  $\phi 40$  [0.315 to 1.575] **65** Page



Double acting type



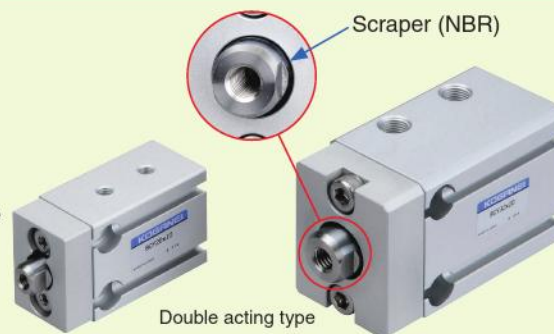
Cylinder with guide

## ◆ Scraper specification

Compatible with environments where dust and water droplets are present.

### Compatible cylinders

- Double acting type  $\phi 10$  to  $\phi 125$  [0.394 to 4.921] <Not available for  $\phi 6$  [0.236] or  $\phi 8$  [0.315]> **23** Page



Scraper (NBR)

Double acting type

## ◆ Clean system compatible cylinders

With dust collection port: Class 5 equivalent  
Without dust collection port: Class 6 equivalent

### Compatible cylinders

- Double acting type (Without dust collection port)  $\phi 6$  to  $\phi 63$  [0.236 to 2.480] **73** Page
- Double acting type (With dust collection port)  $\phi 10$  to  $\phi 63$  [0.394 to 2.480] **73** Page
- Cylinder with guide (Without dust collection port)  $\phi 8$  to  $\phi 40$  [0.315 to 1.575] **82** Page

Double acting type

Double acting type  
(With dust collection port)

Cylinder with guide



With dust collection port

## ◆ With locating pin hole (option)

Cylinder body: Pin holes in three sides  
Table: Pin holes in two sides

### Compatible cylinders

- Cylinder with guide  $\phi 8$  to  $\phi 40$  [0.315 to 1.575] **65** **82** Page



Bottom pin hole



Cylinder with guide



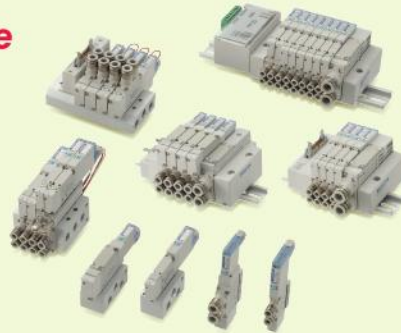
# Guide to recommended related products!

For details, see our homepage. <http://www.koganei.co.jp>

## F series solenoid valves (F10•F15•F18)

**Low-current type and single/double dual-use valves offer energy savings and a low price.**

- Switch the manual override button to select single solenoid valve or double solenoid valve functions on the 2-position valve of the F series.
- Different tube sizes for piping are possible with dual-use different size fittings.



## iB-Cyclone

**High-speed cyclone type water separator!**

- Half the volume ratio and 99% higher moisture separation rate when compared with equivalent equipment.
- No element used for maintenance-free operation.
- Auto drain function (NC and NO) available.
- Specifications for ozone resistance, NCU specifications (copper free) compatible as standard.



## Smaller size FRZB filter regulator

**Filter regulator with moisture and fluid removal function FRZB filter regulator!**

- Compact size with short face-to-face dimensions.
- With drain cock and easy to use moisture and fluid removal function.
- Auto drain function (NC and NO) available.
- Bowl guard available.



## FRZ Series Air filter • Oil mist filter • Micromist filter

**Downsized! Short face-to-face dimensions!  
Visible filter element!**

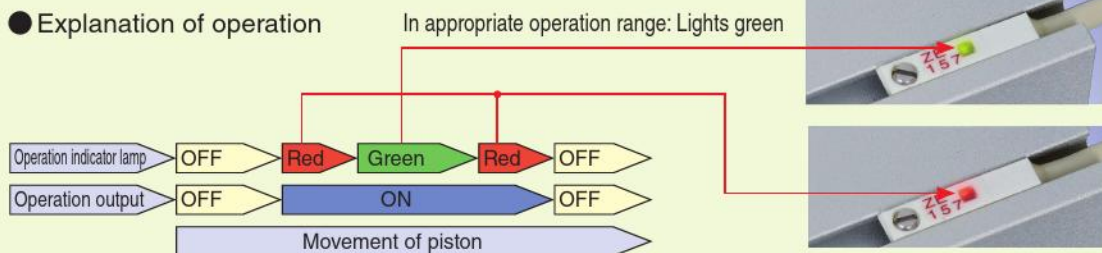
- Compact size with short face-to-face dimensions.
- It is easy to check the state of the filter element.
- Auto drain function (NC and NO) available.



## Two-color LED sensor switches

**Two-color LED sensor switches that can be easily positioned and adjusted. Appropriate operation range can be determined by the color of the LED indicator!**

● Explanation of operation



## MTV Series water removal valves

**Our answer to counteracting condensation! Prevent condensation from developing inside the piping to pneumatic grippers and small cylinders!**

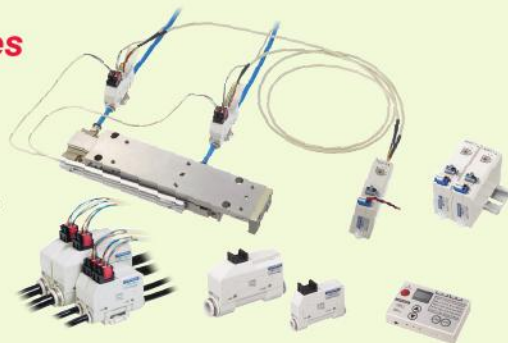
● Simply connect it in the pipes! Easy mounting!



## iB-Flow Digital flow controller

**Constantly monitors cylinder tact times and adjusts automatically!**

- Digitally set cylinder tact times (operation cycle times).
- Tact time controller is always monitoring and adjusting.
- Safety mechanism prevents needle from loosening.
- Numeric setting of needle opening (0 to 100%).



## Quick filling series

**Wide range of variations such as many types of quick fittings and speed controllers with quick fittings!**





- Standard types, mini types, and SUS specifications available.
- Diverse variations available such as quick fittings with stop valves, hand valves, check valves, throttle valves, and power reducers.



Before selecting and using the products, please read all the safety precautions carefully to ensure proper product use. The safety precautions described below are to help you use the product safely and correctly, and to prevent injury or damage to you, other people, and assets.

Always observe these safety precautions and the following safety regulations: ISO4414 (Pneumatic fluid power - General rules and safety requirements for systems and their components), JIS B 8370 (General Rules for Pneumatic Systems), and other safety rules.

The directions are ranked according to degree of potential danger or damage: "DANGER", "WARNING!", "CAUTION!", and "ATTENTION!".

 <b>DANGER</b>	Indicates situations that can be clearly predicted as dangerous. Death or serious injury may result if the situation is not avoided. It could also result in damage or destruction of assets.
 <b>WARNING</b>	Indicates situations that, while not immediately dangerous, could become dangerous. Death or serious injury may result if the situation is not avoided. It could also result in damage or destruction of assets.
 <b>CAUTION</b>	Indicates situations that, while not immediately dangerous, could become dangerous. Failure to avoid the situation creates the risk of minor or semi-serious injury. It could also result in damage or destruction of assets.
 <b>ATTENTION</b>	While there is no chance of injury, these points should be observed for appropriate use of the product.

**■ This product was designed and manufactured for use in general industrial machinery.**

- When selecting and handling equipment, the system designer or another person with sufficient knowledge and experience should always read the safety precautions, catalog and other literature before commencing operation. Improper handling is dangerous.
- After reading the catalog, and other documentation, always place them in a location that allows easy availability for reference to users of this product.
- Whenever transferring or lending the product to another person, always attach the catalog, and other information to the product where they are easily visible in order to ensure that the new user can use the product safely and properly.
- The danger, warning and caution items listed under these safety precautions do not cover all possible contingencies. Read the catalog carefully, and always keep safety first.

 **DANGER**

- Do not use the product for the purposes listed below:
  1. Medical equipment related to maintenance or management of human lives or bodies
  2. Machines or equipment designed for the purpose of moving or transporting people
  3. Critical safety components in mechanical devices
 This product has not been planned or designed for purposes that require high levels of safety. Using the product in any of the ways described above creates the risk of loss of human life.
- Do not use the product in locations with or near dangerous substances such as flammable or ignitable substances. This product is not explosion-proof. Doing so creates the risk of ignition and fire.
- When mounting the product and workpiece, always make sure they are firmly supported and secured in place. Falling, dropping, or abnormal operation of the product creates the risk of personal injury.
- People using pacemakers, etc., should not approach within 1 meter [3.280 ft] of the product. Getting too close to the product creates the risk of malfunction of a pacemaker due to the strong magnet built into the product.
- Never attempt to modify the product in any way. Doing so creates the risk of injury, electric shock, fire, etc. due to abnormal operations.
- Never attempt inappropriate disassembly, assembly or repair of the product relating to basic construction, or to its performance or to functions. Doing so creates the risk of injury, electric shock, fire, etc.
- Do not allow water to splash on the product. Water spraying on the product, washing the product, or using the product under water creates the risk of malfunction, leading to injury, electric shock, fire, etc.
- While the product is in operation, avoid touching it with your hands or otherwise approaching too close. Also, do not attempt to make any adjustments to internal or attached mechanisms (sensor switch mounting location, disconnection of piping tubes or plugs, etc.) while the product is in operation. This may cause an unintended cylinder movement resulting in injury.
- When operating the product, always install speed controllers, and gradually loosen the needle valve from a choked state to adjust the increase in speed. Failure to make this adjustment could result in the air supply causing sudden movements, which may put human lives at risk.

- Do not apply excess bending or buckling force to the piston rod. Doing so may cause abnormal wear or damage to the rod or tube and reduce the product's operating life.
- Always link the direction of motion of the load with the axis of the piston rod. If they are not the same, the undue force on the tube and piston rod may cause abnormal wear or damage.

 **WARNING**

- Do not use the product in excess of its specification ranges. Doing so creates the risk of product breakdown, loss of function, or damage. It could also drastically reduce the product's operating life.
- Before supplying air or electricity to the device and before starting operation, always conduct a safety check of the area where the machine is operating. Unintentional supply of air or electricity creates the risk of electric shock or injury due to contact with moving parts.
- Do not touch terminals or switches while power is turned on. Doing so creates the risk of electric shock and abnormal operation.
- Always check the catalog and other reference materials for correct product wiring and piping. Improper wiring and piping creates the risk of abnormal operation of the cylinder.
- Do not allow the product to be thrown into fire. Doing so creates the risk of explosion and the release of toxic gases.
- Do not sit on the product, place your foot on it, or place other objects on it. Doing so creates the risk of injury due to tripping or the product tipping over or falling, resulting in product damage, malfunction or runaway operation.
- Before conducting maintenance, inspection, repair, replacement, or any other similar procedure, always completely cut off all air supply and confirm that residual pressure inside the product or in piping connected to the product is zero. In particular, be aware that residual air will still be in the air compressor or storage tank. The cylinder may move abruptly, if residual air pressure remains inside the piping, causing injury.
- Do not use the cylinder as a device to absorb the shock or vibration of machinery. Doing so may create the risk of injury or the breakdown of the machinery.
- Do not allow lead wires of sensor switches or other cords to become damaged. Allowing a cord to become damaged, bent excessively, pulled, rolled up, placed under heavy objects, or squeezed between two objects creates the risk of current leaks or defective continuity that can lead to fire, electric shock, or abnormal operation.

- Do not apply external magnetic field to sensor switches while the cylinder is in operation. Unintended operations could damage equipment or cause injury.
- Use the product within the recommended load and operating speed specifications. Using the cylinder in excess of the recommended load and operating speed specifications could damage the cylinder causing damage to equipment or injury.
- Use safety circuits or design a system that prevents damage to machinery and personal injury when the machine is shut down due to an emergency stop or electrical power failure, etc.
- Install relief valves or other devices to ensure that the cylinder does not exceed its rated pressure when the pressure is increased by external forces on the cylinder. Excessive pressure could lead to a breakdown and damage.
- When the product has been idle for over 48 hours or has been in storage, it is possible that the sliding parts may have become stuck leading to operating delays or sudden movements. Before initial operations, always run a test to check that operating performance is normal.
- Do not use the product near the ocean, in direct sunlight, near mercury vapor lamps, or near equipment that generates ozone. Deterioration of rubber parts caused by ozone may reduce performance and functions or stop functions.
- Because Koganei products may be used under a wide variety of conditions, decisions concerning conformance with a particular system should be made upon the careful evaluation by the person in charge of system design. Assurances concerning expected system performance and safety are the responsibility of the designer who decides system conformity. Be sure to use the latest catalogs and technical materials to study and evaluate specification details, to consider the possibility of machine breakdown, and to configure a system that ensures fail-safe safety and reliability.
- Do not apply force to cylinder rods and tables outside the ranges of allowable lateral load, allowable kinetic energy, allowable moment, and other values shown in the catalog and other documentation. Doing so may cause wear or damage to the rod or tube and reduce the product's operating life.

### CAUTION

- Do not use the product in locations subject to direct sunlight (ultraviolet radiation), in locations with dust, salt, or iron particles, or in locations with media and/or ambient atmosphere that include organic solvents, phosphate ester type hydraulic oil, sulfur dioxide gas, chlorine gas, acids, etc. Such uses could lead to loss of functions within a short period, sudden degradation in performance, or reduced operating life. For details on materials used in the product, refer to the description of materials used in major parts.
- When mounting the product, leave room for adequate working space around it. Failure to do so will make it more difficult to conduct daily inspections or maintenance, which could eventually lead to system shutdown or damage to the product.
- When transporting or mounting a heavy product, firmly support the product using a lift or support, or use multiple people to ensure personal safety.
- Do not bring magnetic media or other magnetic materials within 1 meter [3.280 ft] of the product. Doing so creates the risk of damage to data on the magnetic media due to magnetism.
- Do not use the sensor switch in locations subject to large electrical currents or strong magnetic fields. It could result in erratic operation.  
Also avoid using magnetic material for any parts used for mounting. Doing so creates the risk of magnetism leakage that causes malfunctions.
- Do not bring the product too close to magnetic material. The sensor switch may malfunction or operate erratically if the product is located near a magnet or where a magnetic field is generated.
- Never use another companies' sensor switches with these products.  
Doing so may cause malfunctions or runaway operation.
- Do not scratch, dent, or deform the actuator by sitting or standing on the product, or by placing objects on it. Doing so creates the risk of damage to or breakage of the product, resulting in operational shutdown or degraded performance.

- Always post an "operations in progress" sign for installations, adjustments, or other operations, to avoid unintentional supplying of air or electrical power, etc. Unintended power or air supply can cause electric shock and sudden cylinder movement, creating the risk of personal injury.
- Do not subject any cords, such as the sensor switch lead wires attached to cylinders, to excessive loads by pulling on them, lifting the product by them, or placing heavy objects on them. Doing so may cause current leakage or defective continuity leading to fire, electric shock, or abnormal operation.
- Using extremely dry air with a dew point lower than -20°C [-4°F], may affect the quality of the lubricating oil used. This may cause loss of functions, shorter operating life, degraded performance or other problems.
- Be sure to wash your hands thoroughly after touching the heat resistant specification and clean room specification grease. Smoking a cigarette with hands soiled with grease creates the risk of emission of toxic gas when grease adhering to the cigarette burns. (The grease used is chemically very stable at normal temperature, but toxic gases will be generated when its temperature exceeds 260°C [500°F]).

### ATTENTION

- Whenever considering use of this product in situations or environments not specifically noted in the catalog, or in applications where safety is an important requirement such as in aircraft facilities, combustion equipment, leisure equipment, safety equipment, and other places where human life or assets may be greatly affected, take adequate safety precautions such as allowing plenty of margin for ratings and performance, or fail-safe measures.  
Be sure to contact Koganei before use in such applications.
- Moving parts of machinery should be isolated with protective covers so as not to come into direct contact with human bodies.
- Do not configure controls that would allow workpieces to fall if power fails.  
Configure the control system to prevent workpieces or tables from falling if the machinery stops during an emergency stop or power outage.
- When handling the product, wear protective gloves, safety glasses, safety shoes, and other protective clothing whenever necessary.
- When the product can no longer be used or is no longer necessary, dispose of it appropriately as industrial waste.
- Pneumatic equipment can exhibit degraded performance and function over its operating life. Always conduct daily inspections of the pneumatic equipment, and confirm that all requisite system functions are satisfied, to prevent accidents from happening.
- For inquiries about the product, consult your nearest Koganei sales office or Koganei Overseas Department. The addresses and telephone numbers are shown on the back cover of this catalog.

### Other

- Always observe the following items.
  1. When using this product in pneumatic systems, always use genuine Koganei parts or compatible parts (recommended parts).  
When conducting maintenance and repairs, always use genuine Koganei parts or compatible parts (recommended parts).  
Always observe the prescribed methods and procedures.
  2. Never attempt inappropriate disassembly or assembly of the product in relation to its basic construction, performance, or functions.

Koganei cannot be held responsible for any problems that occur as a result of these safety precautions not being properly observed.



Design and selection

**WARNING**

**1. Check the specifications.**

Read the specifications carefully to ensure correct use within the product's specified voltage, current, temperature, and shock ranges, failure to do so could result in a breakdown or defective operation.

**2. Be careful when mounting cylinders in close proximity to each other.**

Refer to page 99 if you are mounting two or more cylinders with sensor switches in parallel. The magnetic field interference may cause the sensor switches to malfunction.

**3. Be careful of how long the sensor switch is on when detecting the position in mid-stroke.**

Be aware that, when the sensor switch is mounted at an intermediate point of the cylinder stroke to detect the passing of the piston, if the piston is moving too fast, the length of time the sensor switch operates is too short to delete the piston passing (so loads such as programmable controllers are not operated). The highest detectable cylinder speed is

$$V[\text{mm/s}] = \frac{\text{Sensor switch operating range mm [in]}}{\text{Time required for load operation [ms]}} \times 1000$$

**4. Keep wiring as short as possible.**

Lead wires for solid state sensor switches should be within 30 m [98.400 ft] as stipulated by EN standards. For reed sensor switches, longer wiring (10 m [32.800 ft] or longer) will lead to a larger capacitive surge, which reduces the operating life of sensor switches. When longer wiring cannot be avoided, provide the protective circuit described in the catalog. For details, see page 98.

If the load is inductive or capacitive, provide the appropriate protective circuit as described in the catalog. For details, see page 98.

**5. Avoid repeated bending or excessive pulling of lead wires.**

Applying repeated bending stress or tension force on the lead wires could break them.

**6. Check for leakage current.**

With 2-lead wire solid state sensor switches, current (leakage current) flows to the load to activate the internal circuit even when turned off. Ensure that the circuit satisfies the following inequality.

Input off current of programmable controller > Leakage current  
If the above inequality cannot be satisfied, select a 3-lead wire solid state sensor switch. And, if n sensor switches are connected in parallel, the leakage current increases by n times.

**7. Do not use reed sensor switches at low speeds below 30 mm/s [1.181 in/sec]. Doing so may cause erratic operation or loss of functions.**

**CAUTION**

**1. Check for internal voltage drop of sensor switches.**

Connecting reed sensor switches with indicator lamps, or 2-lead wire solid state sensor switches, in series causes increasing internal voltage drop and the load may fail to activate. Connecting n switches will drop the internal voltage by n times as much.

Ensure that the circuit satisfies the following inequality:

$$\text{Supply voltage} - \text{Internal voltage drop} \times n > \text{Minimum operating voltage of the load}$$

For relays with a rated voltage lower than 24 VDC, ensure that the above inequality is satisfied even when n = 1. If the above inequality cannot be satisfied, select a reed sensor switch without an indicator lamp.

**2. Do not use Koganei sensor switches with other companies' cylinders.**

The sensor switches are designed for use with Koganei cylinders only. They may not function correctly if used with other companies' cylinders.



Installation and adjustment

**WARNING**

**1. Do not apply an external magnetic field to the sensor switch while the cylinder is in operation.**

This may cause unintended operation, thereby damaging the device or causing injury.

**CAUTION**

**1. Be aware of the environment in which you install the sensors and cylinders.**

Do not use the sensor switch in locations subject to large electrical currents or strong magnetic fields. It could result in erratic operation.

Also avoid using magnetic material for any parts used for mounting. It could result in erratic operation.

**2. Install sensor switches in the center of their operating range.**

Adjust the mounting position of a sensor switch so that the piston stops in the center of its operating range (the range while the sensor is ON). Operations will be unstable if mounted at the end of the operating range (at the boundary near on and off). Also be aware that the operating range will vary with changes in temperature.

**3. Follow the tightening torque guidelines for mounting sensor switches.**

Over-tightening beyond the allowed tightening torque may damage the mounting threads, mounting brackets, sensor switches and other components. However, insufficient tightening torque may cause the sensor switch position to change, resulting in unstable operation. Follow the instructions on page 11 concerning the tightening torque.

**4. Do not carry the cylinder by its mounted sensor switch's lead wires.**

After mounting a sensor switch on the cylinder, do not carry the cylinder by grabbing the lead wires. Never do this, as it may damage not only the lead wires but may also apply stress to the inside of the sensor switch that may damage internal elements.

**5. Do not drop the sensor switches or bump them against other objects.**

Do not apply excessive impact (294.2 m/s<sup>2</sup> [30 G] or more) by hitting, dropping, or colliding with the sensor switch during handling.

In the case of reed sensor switches, such behavior may cause the contact to malfunction, thereby giving a signal output or turning off the signal instantaneously. And, this may change the contact interval, thereby deteriorating the sensor switch's sensitivity. As such, this may cause the device to malfunction. Even if the sensor switch case is not damaged, the inside of the sensor switch may be damaged, causing erratic operation.

## Safety Precautions (Sensor Switches)



### Wiring

#### DANGER

##### 1. Prevent nearby moving objects from coming into contact with sensor switches.

When cylinders equipped with sensor switches are moving or when moving objects are nearby, do not let them come into contact with each other. In particular, lead wires may become worn or damaged causing unstable operation of the sensor switch. In the worst case, this may result in current leaks or electrical shock.

##### 2. Always turn off the power before doing wiring work.

Doing wiring work while the power is on may result in electric shock. Also, incorrect wiring could damage the sensor switch in an instant. Turn on the power only after the wiring work is complete.

#### WARNING

##### 1. Check the catalog and other materials to ensure that the sensor switch is wired correctly.

Incorrect wiring may result in abnormal operation.

##### 2. Do not share wiring with power or high voltage lines.

Avoid wiring in parallel to or in the same conduit with power lines and high-voltage lines. Noise from such wiring could cause the sensor switch and control circuit to operate erratically.

##### 3. Avoid repeated bending or excessive pulling of lead wires.

Applying repeated bending stress or tension force on the lead wires could break them.

##### 4. Check the wiring polarity.

Be sure that the wiring connections are correct for sensor switches that specify polarity (+, -, output). Incorrect polarity could result in damage to sensor switches.

#### CAUTION

##### 1. Avoid short circuiting loads.

Turning on the sensor switch while the load is short-circuited causes overcurrent, which will damage the sensor switch in an instant.

Example of short-circuit load: Sensor switch's output lead wire is directly connected to the power supply.

##### 2. Position sensor switches in the center of their operating range.

Operating output may be unstable, depending on the operating environment, if positioned at the edge of the operating range.

##### 3. Solid state sensor switches that are compliant with the EMC standards (EN61000-6-2 and EN60947-5-2) are not resistant to surges from lightning. Use countermeasures on the machine to protect them from lightning surges.

##### 4. Use an internal element to absorb surges for direct activation of loads that generate surges.

## Handling Instructions and Precautions



### General precautions

#### Piping

Before installing piping to the cylinder, thoroughly flush the inside of the pipes (with compressed air). Machining chips, sealing tape, rust and other debris remaining from the piping work may result in air leaks and malfunctions.

#### Air supply

1. Use air as the medium. For the use of any other medium, consult your nearest Koganei sales office.
2. Air used for the cylinder should be clean air that contains no degraded compressor oil, etc. Install an air filter (filtration of 40  $\mu\text{m}$  or less) near the cylinder or valve to remove dust and accumulated liquid. Also drain the air filter periodically. If liquid or dust gets into the cylinder, it may cause defective operation.

#### Lubrication

The cylinder can be used without lubrication, however, if lubrication, such as a lubricator, is used, use turbine oil type 1 (ISO VG32) or an equivalent. Avoid using spindle oil or machine oil.

#### Environment

1. Cover the unit when using it in locations where it might be subject to excessive dust, dripping water, dripping oil, etc.
2. Do not use the cylinder in environments which may be corrosive. Using the cylinder in these types of environments may result in damage or defective operation.
3. Do not use it in excessively dry conditions.
4. Do not use the cylinder if the ambient temperature is over 60°C [140°F], doing so may result in damage or defective operation. Also, consider anti-freezing measures if the temperature is less than 5°C [41°F], because moisture may freeze and result in damage or defective operation.

#### Handling

1. Do not place your hands in the way of the cylinder when it is operating.
2. Be careful that no part of your body is pinched between the end plate and the cylinder body when the cylinder is retracting.
3. Confirm that there is no pressurized air in the cylinder before starting maintenance work.
4. Use the cylinder within its operating speed range. Even if the speed is within the allowable range, install an external stopper to prevent directly impacting the cylinder, if the load is large or the allowable kinetic energy is exceeded.
5. Use a separate cushioning device, such as a shock absorber, if noise or vibration is an issue.

#### Warranty and General Disclaimer

##### 1. Warranty Period

The warranty period for Koganei products is 12 months from the date of delivery.

##### 2. Scope of Warranty and General Disclaimer

- (1) The Koganei product warranty covers individual products. When a product purchased from Koganei or from an authorized Koganei distributor malfunctions during the warranty period in a way that is attributable to Koganei responsibility, Koganei will repair or replace the product free of charge. Even if a product is still within the warranty period, its durability is determined by its operation cycles and other factors. Contact your nearest Koganei sales office or the Koganei Overseas Department for details.
- (2) Koganei shall not be held responsible for any losses or for any damage to other machinery caused by breakdown, loss of function, or loss of performance of Koganei products.
- (3) Koganei shall not be held responsible for any losses due to use or storage of the product in a way that is outside of the product specifications prescribed in Koganei catalogs and instruction manuals, and/or due to actions that violate the mounting, installation, adjustment, maintenance or other safety precautions.
- (4) Koganei shall not be held responsible for any losses caused by breakdown of the product due to factors outside the responsibility of Koganei, including but not limited to fire, natural disaster, the actions of third parties, and intentional actions or errors by you.

# Handling Instructions and Precautions



## General precautions

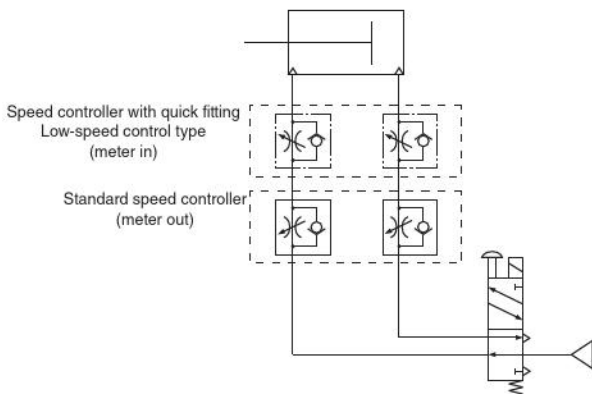
### Other

The piston of the single acting type may not retract (return) even when the air is exhausted if air is continuously supplied to the piping port so that its spring is left compressed for a long period (more than 48 hours). Use a double acting cylinder if it will be left unused for long periods such as this.

### About the circuit to prevent rod pop-out

Rod pop-out prevention circuit

Using the cylinder in combination with the speed controller shown in the following diagram is effective for controlling speed and preventing rod pop-out.



Note: Install the speed controller as close as possible to the cylinder.



## Mounting

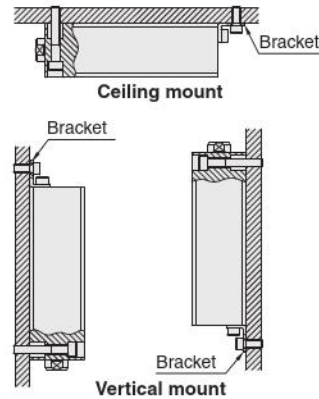
### Mounting

1. The cylinder can be mounted in any orientation, but the mounting surface must be flat. If the cylinder twists or bends when mounted, not only will it be inaccurate, but there may be air leaks and defective operation.
2. Note that a mounting surface that is scratched or dented can adversely affect flatness.
3. If the cylinder is subject to large impacts, use a support structure, such as brackets, to hold the cylinder body in addition to the mounting bolts.
4. Be sure that the cylinder body and the mounting bolts are of sufficient strength.
5. In cases where loosening of bolts due to impact and/or vibration may be a factor, consider looseness prevention measures.
6. Do not scratch or dent the sliding parts of the piston rod. Doing so could damage the packing and cause air leaks.
7. The piston rod and linear guides are coated with grease, do not wipe it off. Doing so may cause defective operation. If you cannot see the lubricant, apply some grease. The grease to be used depends on the specification. Contact Koganei for details.
8. Note that you cannot use the tapped holes on the front-surface (rod side) of the cylinder if you mount it using the counterbored holes on the cylinder body.  
(Double acting type, single acting push type, single acting pull type, double acting double rod end type from  $\phi 10$  to  $\phi 32$  [0.394 to 1.260])
9. If you are using a combination of a cylinder and guide, use cylinder joints for flexible connections.

### Mounting with brackets

We recommend using brackets for mounting if you are using the cylinder in the following conditions. (BCZ-BK□ or -BK)

- Stroke : If using a cylinder with a longer than standard stroke.
- Mounting: If using a vertical or ceiling mount for a cylinder with a long stroke (guideline: Products with bore of  $\phi 20$  [0.787] or greater and stroke of 50 mm [1.969 in.] or longer).
- Process : If using a cylinder for large static loads, such as for pressing processes.
- Other : If using a cylinder in a location subject to extreme vibrations.



### Tightening torque lists

#### ● Fittings

Thread size	Tightening torque
M3 × 0.5	0.7 [0.516]
M5 × 0.8	1.0 to 1.5 [0.738 to 1.106]
R1/8	4.5 to 6.5 [3.319 to 4.794]
R1/4	7 to 9 [5.163 to 6.638]
R3/8	12.5 to 14.5 [9.220 to 10.695]

#### ● Workpiece mounting (Cylinder with guide)

Thread size	Tightening torque
M3 × 0.5	0.63 [0.465]
M4 × 0.7	1.5 [1.106]
M5 × 0.8	3.0 [2.213]
M6 × 1	5.2 [3.836]

#### ● Plugs (Cylinder with guide)

Thread size	Tightening torque
M3 × 0.5	0.3 [2.655]
M5 × 0.8	0.4 [3.540]

#### ● Cylinder & bracket mounting

Thread size	Tightening torque	
	Cylinder	Bracket
M3 × 0.5	1.2 [0.885]	
M4 × 0.7	2.7 [1.992]	
M5 × 0.8	5.4 [3.983]	
M6 × 1	9.2 [6.786]	
M8 × 1.25	22 [16.227]	
M10 × 1.5	44 [32.454]	
M12 × 1.75	76 [56.058]	
M16 × 2	190 [140.1]	
M20 × 2.5	370 [272.9]	

\* For both mounting to cylinder or to a mating surface.

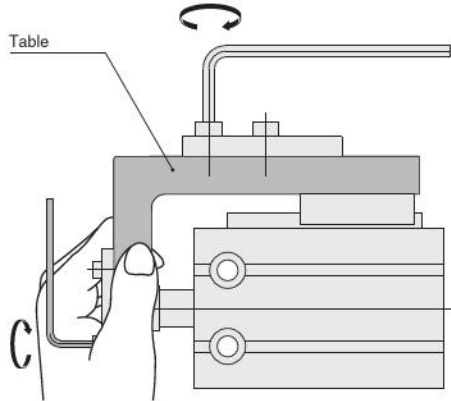
#### ● Sensor switch mounting

Tightening torque for the set screw: 0.1 to 0.2 N·m [0.885 to 1.770 in·lbf]

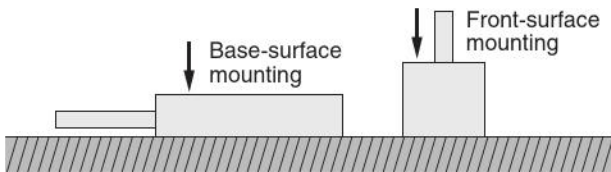
# Handling Instructions and Precautions

## Mounting workpiece to cylinder with guide

1. The table is supported by the linear guide, so be careful to avoid strong impact and excess moment when mounting workpieces.
2. Hold the table when securing the workpiece to the table with bolts. If you hold the body when tightening the bolts, it reduces the precision by applying too large moment on the guide.



## List of recommended mounting bolts



### Base-surface mounting

- Double acting type ● Single acting type (push, pull) ● Double rod ● With guide

Cylinder bore mm [in.]	Recommended mounting bolts
6 [0.236]	M3 × 12
8 [0.315]	M3 × 12
10 [0.394]	M3 × 16
12 [0.472]	M4 × 16
16 [0.630]	M4 × 20
20 [0.787]	M5 × 25
25 [0.984]	M5 × 30
32 [1.260]	M6 × 35
40 [1.575]	M8 × 45
50 [1.969]	M10 × 55
63 [2.480]	M12 × 65
80 [3.150]	M12 × 80
100 [3.937]	M16 × 110
125 [4.921]	M20 × 130

Use bolts longer than those in the table above when fastening the cylinder.

### Front-surface mounting

- Double acting type ● Single acting type (push, pull) ● Double rod

Cylinder bore mm [in.]	Recommended mounting bolts		
	Double acting type	Single acting type	Double rod
50 [1.969]	M6 × 35 + stroke	M6 × 55 + stroke	M6 × 45 + stroke
63 [2.480]	M8 × 40 + stroke	–	M8 × 50 + stroke
80 [3.150]	M10 × 45 + stroke	–	M10 × 55 + stroke
100 [3.937]	M10 × 55 + stroke	–	M10 × 55 + stroke
125 [4.921]	M12 × 55 + stroke	–	M12 × 55 + stroke

Use bolts longer than those in the table above when fastening the cylinder.

## Allowable kinetic energy (except cylinder with guide)

Use less kinetic energy on the cylinder than indicated in the table below.

Cylinder bore mm [in.]	Allowable kinetic energy (J [ft·lbf])	
	Double acting, double rod	Single acting (push & pull)
6 [0.236]	0.008 [0.006]	0.004 [0.003]
8 [0.315]	0.014 [0.010]	0.007 [0.005]
10 [0.394]	0.022 [0.016]	0.012 [0.009]
12 [0.472]	0.032 [0.024]	0.017 [0.013]
16 [0.630]	0.057 [0.042]	0.03 [0.022]
20 [0.787]	0.09 [0.066]	0.05 [0.037]
25 [0.984]	0.14 [0.103]	0.08 [0.059]
32 [1.260]	0.23 [0.170]	0.13 [0.096]
40 [1.575]	0.36 [0.266]	0.21 [0.155]
50 [1.969]	0.56 [0.413]	0.32 [0.236]
63 [2.480]	0.89 [0.656]	–
80 [3.150]	1.4 [1.033]	–
100 [3.937]	2.2 [1.623]	–
125 [4.921]	3.5 [2.582]	–

- Use the following equation to calculate the kinetic energy of loads.

$$Ex = \frac{m}{2} v^2$$

Ex: Kinetic energy (J)

m: Mass of load (kg)

v: Piston speed (m/s)

## Allowable lateral load (except cylinder with guides)

Apply the maximum allowable lateral load or less to the cylinder than indicated in the table below.

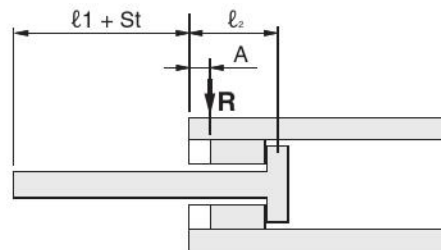
Equation

- $\phi 6$  to  $\phi 12$  [0.236 to 0.472],  $\phi 50$  to  $\phi 125$  [1.969 to 4.921]

$$\text{Maximum allowable lateral load } W \leq \frac{l_2 - A}{l_1 + l_2 + St} \cdot R$$

- $\phi 16$  to  $\phi 40$  [0.630 to 1.575]

$$\text{Maximum allowable lateral load } W \leq \frac{l_2}{l_1 + l_2 + St} \cdot R$$



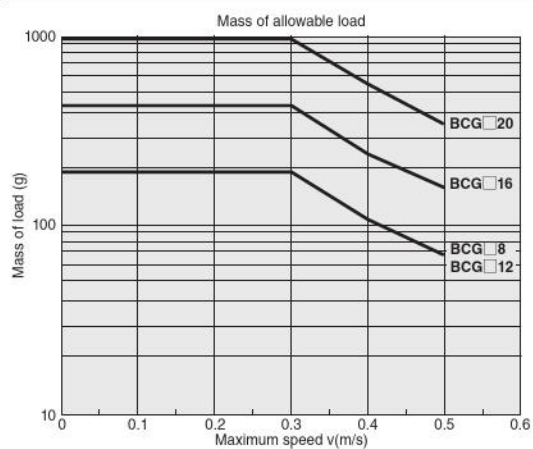
Cylinder bore mm [in.]	Allowable lateral load R N [lbf]	$l_1$ mm [in.]	$l_2$ mm [in.]	A mm [in.]
6 [0.236]	1.0 [0.225]	4.0 [0.157]	13.8 [0.543]	3.8 [0.150]
8 [0.315]	1.8 [0.405]	4.0 [0.157]	14.3 [0.563]	4.3 [0.169]
10 [0.394]	2.7 [0.607]	4.0 [0.157]	14.4 [0.567]	4.3 [0.169]
12 [0.472]	4.0 [0.899]	5.0 [0.197]	14.0 [0.551]	3.5 [0.138]
16 [0.630]	7.0 [1.574]	5.0 [0.197]	15.0 [0.591]	–
20 [0.787]	11.0 [2.473]	6.0 [0.236]	17.5 [0.689]	–
25 [0.984]	17.2 [3.867]	6.0 [0.236]	18.0 [0.709]	–
32 [1.260]	28.1 [6.317]	7.0 [0.276]	18.5 [0.728]	–
40 [1.575]	44.0 [9.891]	7.0 [0.276]	23.0 [0.906]	–
50 [1.969]	68.7 [15.444]	8.0 [0.315]	27.3 [1.075]	8.0 [0.315]
63 [2.480]	109.1 [24.526]	8.0 [0.315]	33.0 [1.299]	8.0 [0.315]
80 [3.150]	175.9 [39.542]	10.0 [0.394]	32.5 [1.280]	8.0 [0.315]
100 [3.937]	274.9 [61.798]	12.0 [0.472]	44.5 [1.752]	9.0 [0.354]
125 [4.921]	429.5 [96.552]	16.0 [0.630]	50.0 [1.969]	9.0 [0.354]

# Handling Instructions and Precautions

## Cylinder with guide, allowable kinetic energy

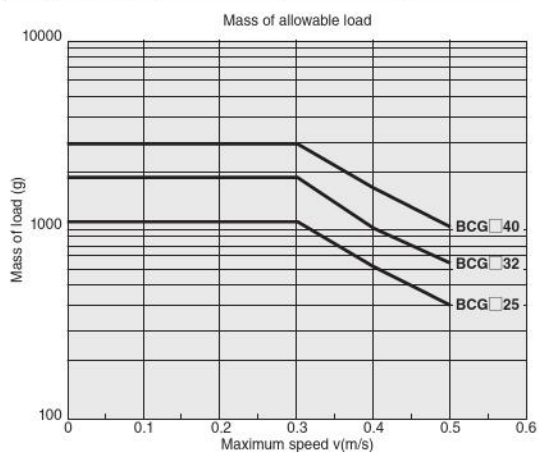
①  $\phi 8$  to  $\phi 20$  [0.315 to 0.787]

Model	BCG□8	BCG□12	BCG□16	BCG□20
Allowable kinetic energy J [ft·lbf]	0.0084 [0.006]	0.0084 [0.006]	0.020 [0.015]	0.044 [0.032]



②  $\phi 25$  to  $\phi 40$  [0.984 to 1.575]

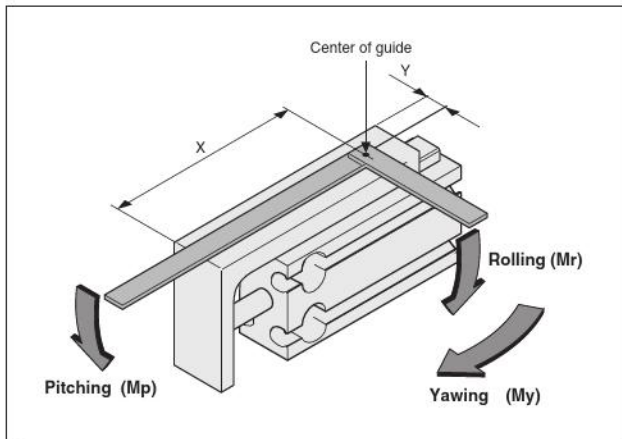
Model	BCG□25	BCG□32	BCG□40
Allowable kinetic energy J [ft·lbf]	0.051 [0.038]	0.082 [0.060]	0.134 [0.099]



# Handling Instructions and Precautions

## Allowable bending moment for cylinder with guide

Applying more than the allowable bending moment causes the guide to rattle, reduces precision, and has a bad effect on operating life.



● Use the center of the guide as shown in the diagram as the reference for the center of moment.

● Dimensions of center of guide mm [in.]

Model	Stroke	X	Y
BCG□6	5	31.5	6 [0.236]
	10	[1.240]	
	15	41.5	
	20	[1.634]	
	25	51.5	
	30	[2.028]	
	35	61.5	
	40	[2.421]	
	45	71.5	
	50	[2.815]	
BCG□12	10	32.5	18 [0.709]
	15	42.5	
	20	[1.673]	
	25	52.5	
	30	[2.067]	
	35	62.5	
	40	[2.461]	
	45	72.5	
	50	[2.854]	
	55	82.5	
60	[3.248]		
BCG□16	5	37.5	9.5 [0.374]
	10	[1.476]	
	15	47.5	
	20	[1.870]	
	25	57.5	
	30	[2.264]	
	35	67.5	
	40	[2.657]	
	45	77.5	
	50	[3.051]	
55	87.5		
60	[3.445]		
BCG□20	5	44	11.5 [0.453]
	10	[1.732]	
	15	54	
	20	[2.126]	
	25	64	
	30	[2.520]	
	35	74	
	40	[2.913]	
	45	84	
	50	[3.307]	
55	94		
60	[3.701]		

mm [in.]

Model	Stroke	X	Y
BCG□25	5	47.5	14.5 [0.571]
	10	[1.870]	
	15	57.5	
	20	[2.264]	
	25	67.5	
	30	[2.657]	
	35	77.5	
	40	[3.051]	
	45	87.5	
	50	[3.445]	
BCG□32	10	57	18 [0.709]
	15	67	
	20	[2.638]	
	25	77	
	30	[3.031]	
	35	87	
	40	[3.425]	
	45	97	
	50	[3.819]	
	55	107	
60	[4.213]		
BCG□40	10	70.5	23 [0.906]
	15	[2.776]	
	20	80.5	
	25	[3.169]	
	30	90.5	
	35	[3.563]	
	40	100.5	
	45	[3.957]	
	50	110.5	
	55	[4.350]	
60			

## Allowable bending moment

N·m [ft·lbf]

Model	Mp (pitching)	Mr (rolling)	My (yawing)
BCG□8, BCG□12	0.12 [0.089]	0.12 [0.089]	0.21 [0.155]
BCG□16	0.4 [0.295]	0.4 [0.295]	0.68 [0.502]
BCG□20	1.5 [1.106]	1.8 [1.328]	2.2 [1.623]
BCG□25	2.18 [1.608]	2.18 [1.608]	4.18 [3.083]
BCG□32	4.46 [3.290]	4.46 [3.290]	7.31 [5.392]
BCG□40	6.7 [4.942]	8 [5.901]	13.7 [10.105]

## Heat resistant specification

N·m [ft·lbf]

Model	Mp (pitching)	Mr (rolling)	My (yawing)
BCGF8, BCGF12	0.11 [0.081]	0.11 [0.081]	0.18 [0.133]
BCGF16	0.35 [0.258]	0.35 [0.258]	0.60 [0.443]
BCGF20	0.88 [0.649]	0.88 [0.649]	1.25 [0.922]
BCGF25	1.37 [1.011]	1.21 [0.892]	2.30 [1.696]
BCGF32	3.56 [2.626]	2.99 [2.205]	6.00 [4.426]
BCGF40	6.32 [4.662]	5.30 [3.909]	11.04 [8.143]

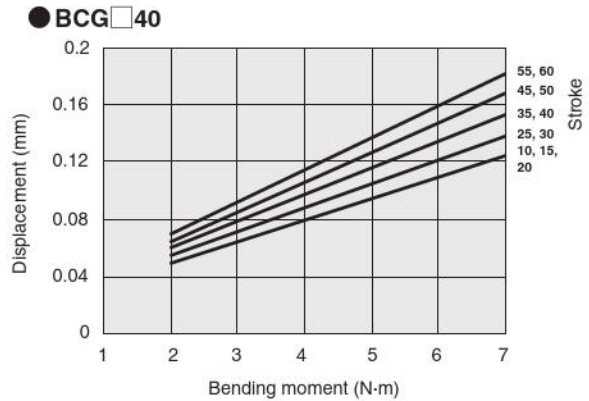
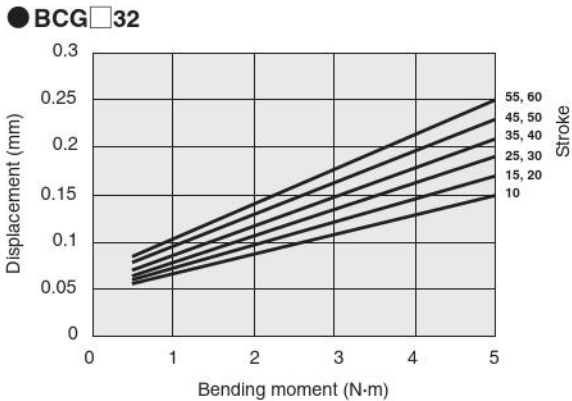
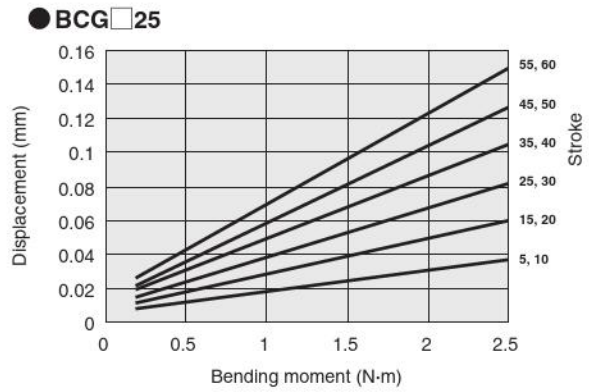
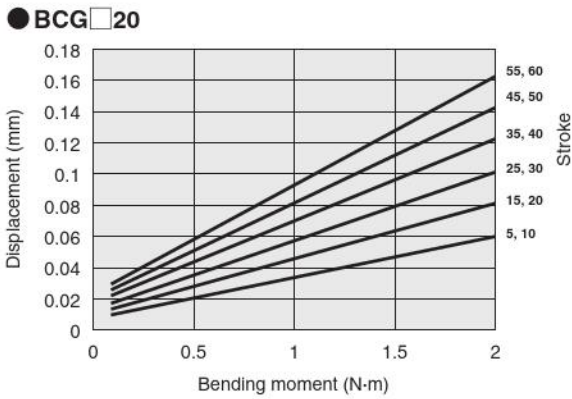
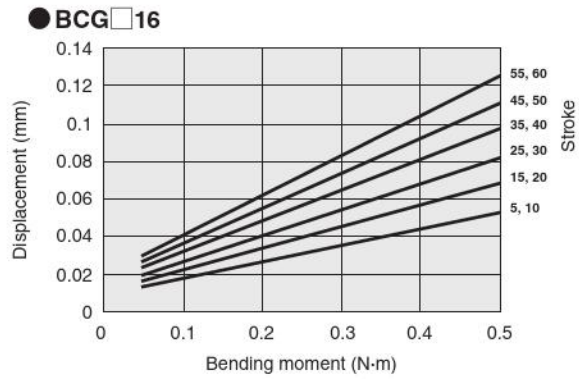
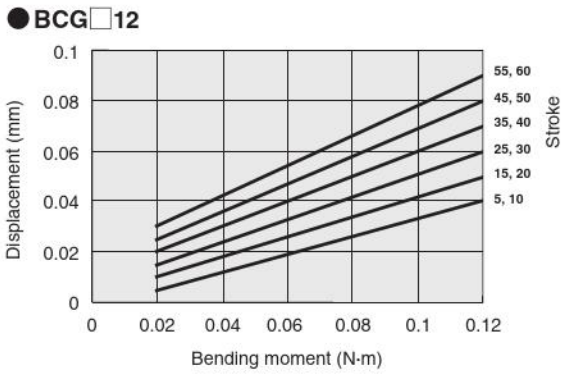
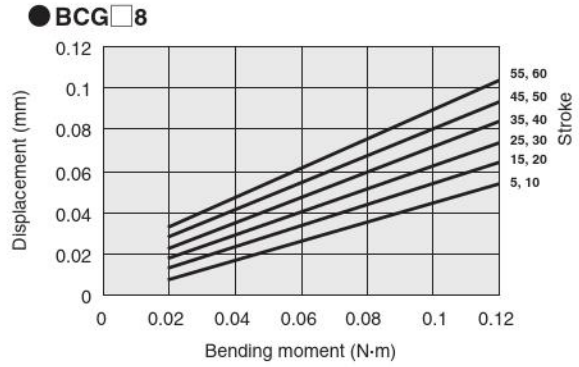
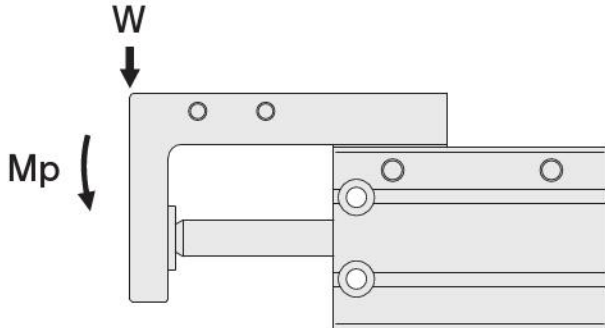
# Handling Instructions and Precautions

**Displacement of table due to bending moment for cylinder with guide** (reference values) For heat resistant specification graphs, refer to page 10.

## ● Pitching (Mp)

Displacement of edge of table (arrow) when load **W** is applied at arrow

(Precaution: There may be a large increase in the displacement after a large impact load is applied to the table)



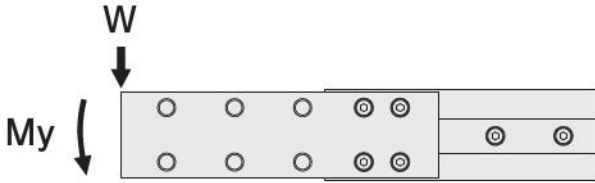
# Handling Instructions and Precautions

**Displacement of table due to bending moment for cylinder with guide** (reference values) For heat resistant specification graphs, refer to page 19.

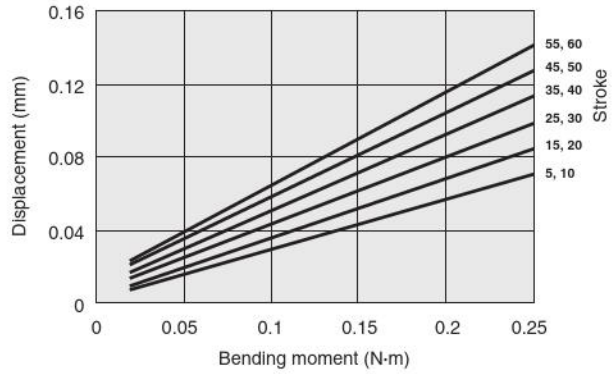
## ● Yawing (My)

Displacement of edge of table (arrow) when load **W** is applied at arrow

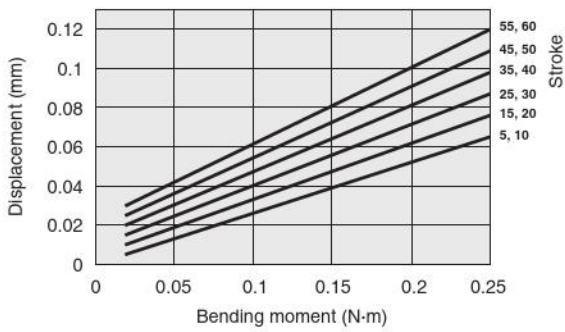
(Precaution: There may be a large increase in the displacement after a large impact load is applied to the table)



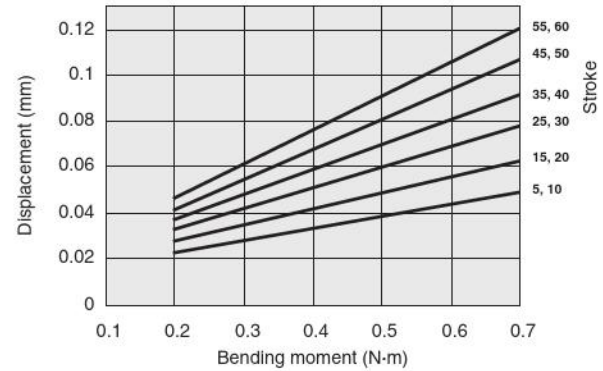
### ● BCG 8



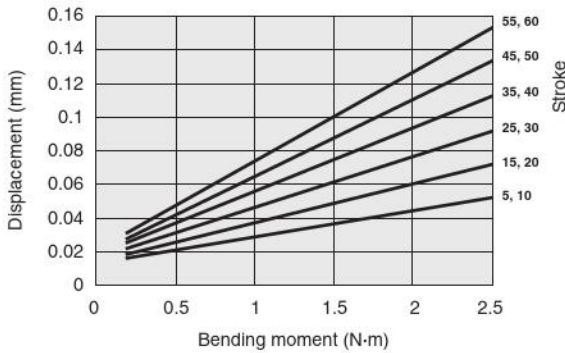
### ● BCG 12



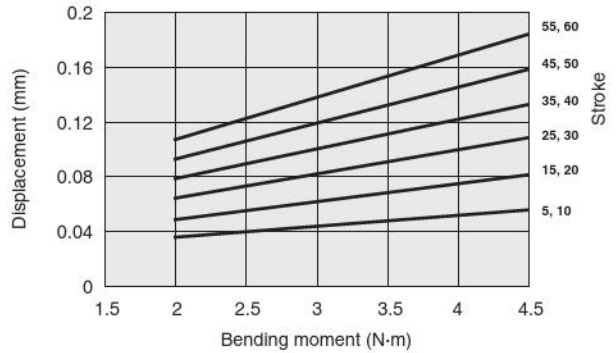
### ● BCG 16



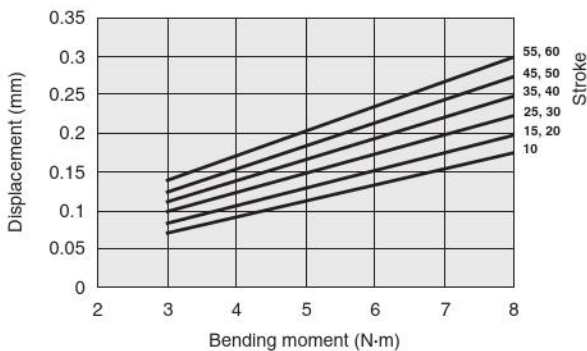
### ● BCG 20



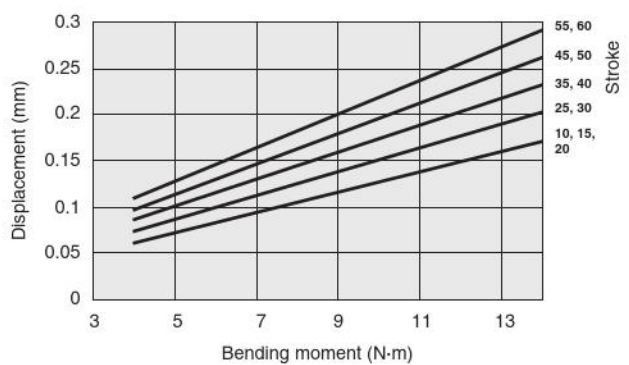
### ● BCG 25



### ● BCG 32



### ● BCG 40



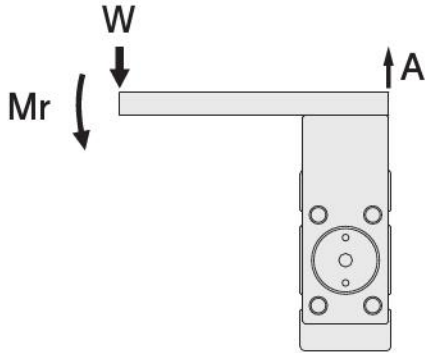
# Handling Instructions and Precautions

**Displacement of table due to bending moment for cylinder with guide** (reference values) For heat resistant specification graphs, refer to page 20.

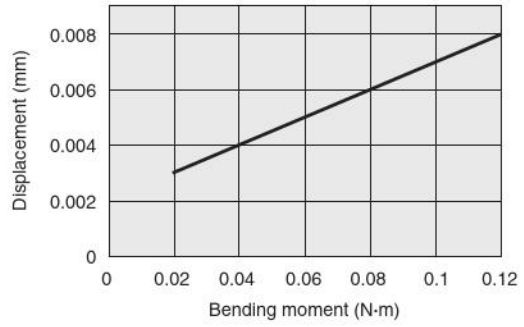
## ● Rolling (Mr)

Displacement of edge of table (arrow A) when load W is applied at arrow

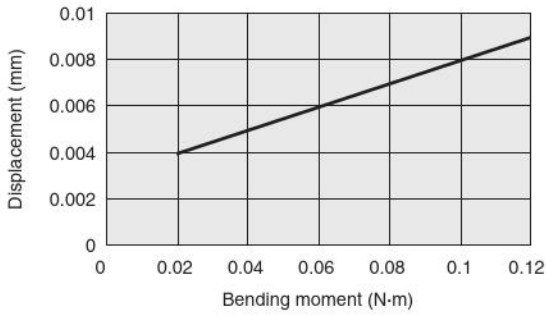
(Precaution: There may be a large increase in the displacement after a large impact load is applied to the table)



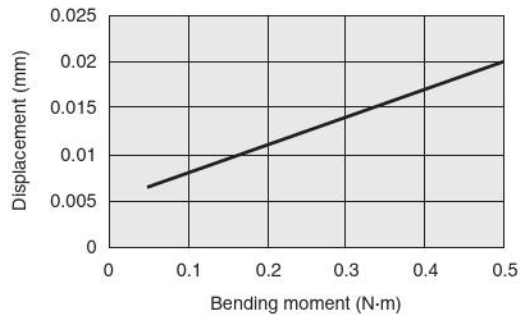
### ● BCG□8



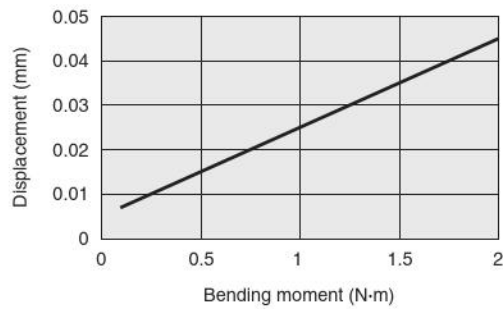
### ● BCG□12



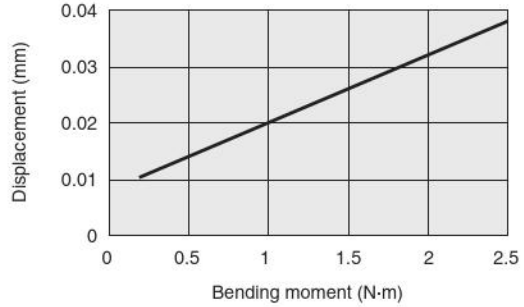
### ● BCG□16



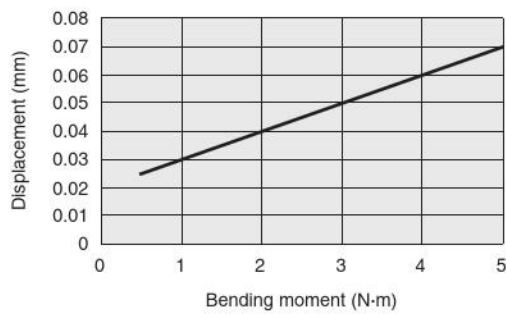
### ● BCG□20



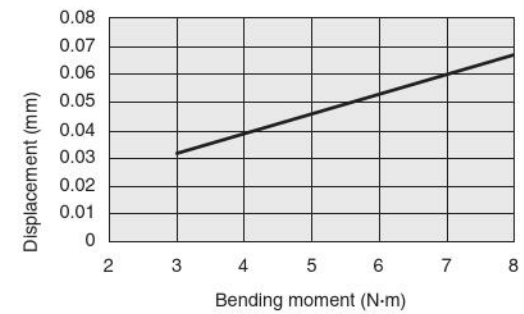
### ● BCG□25



### ● BCG□32



### ● BCG□40



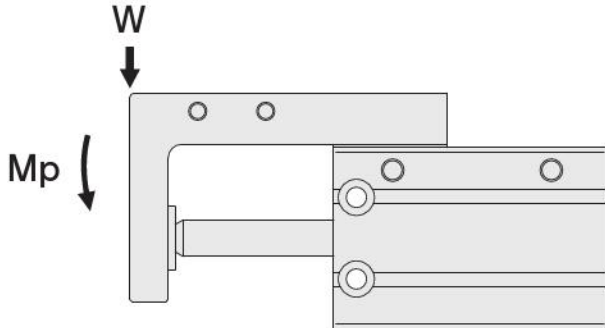
# Handling Instructions and Precautions

## Displacement of table due to bending moment for heat resistant specification cylinder with guide (reference values)

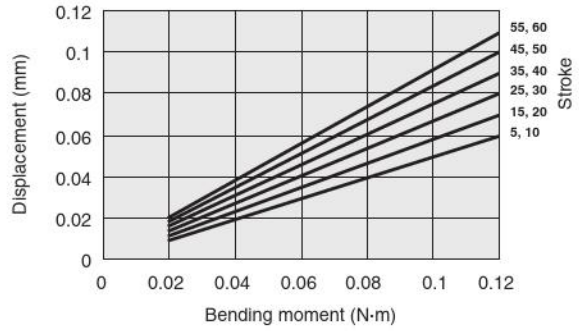
### ● Pitching (Mp)

Displacement of edge of table (arrow) when load  $W$  is applied at arrow

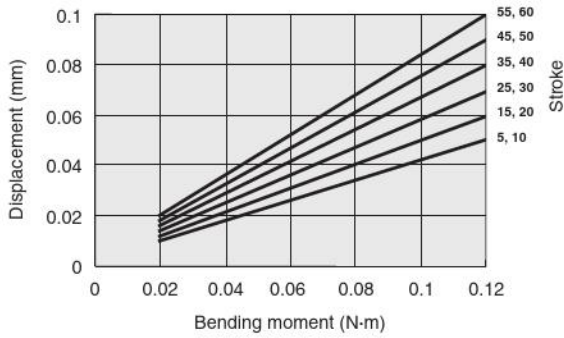
(Precaution: There may be a large increase in the displacement after a large impact load is applied to the table)



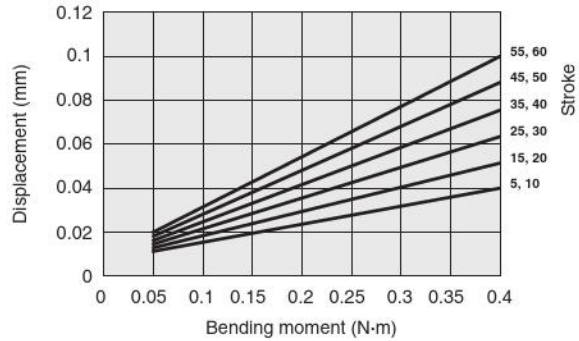
### ● BCGF8



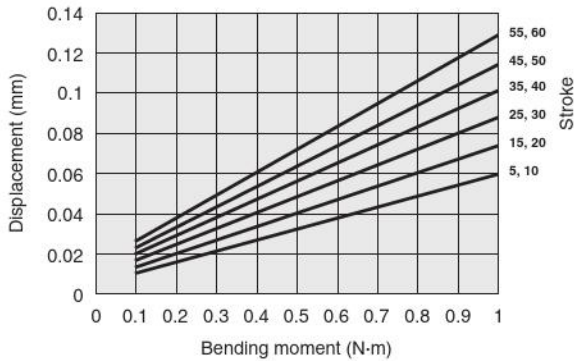
### ● BCGF12



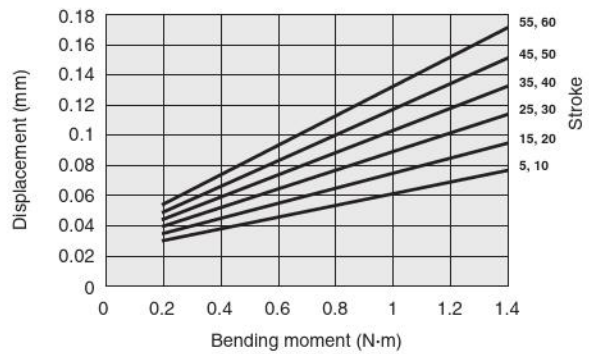
### ● BCGF16



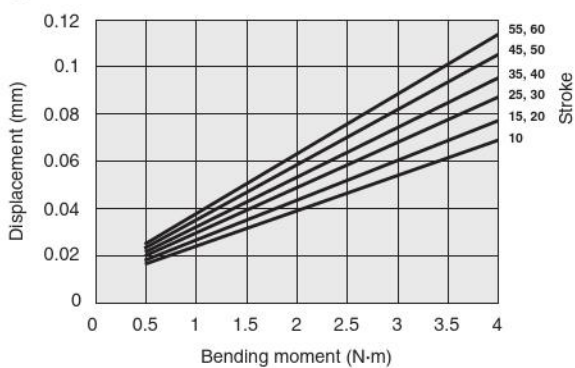
### ● BCGF20



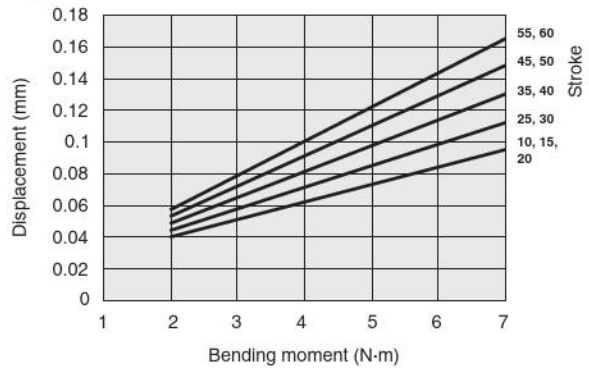
### ● BCGF25



### ● BCGF32



### ● BCGF40



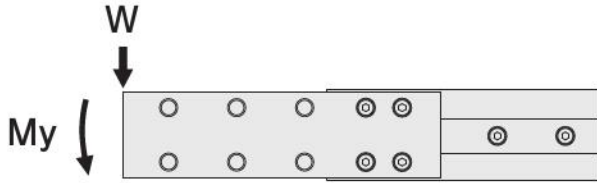
# Handling Instructions and Precautions

## Displacement of table due to bending moment for heat resistant specification cylinder with guide (reference values)

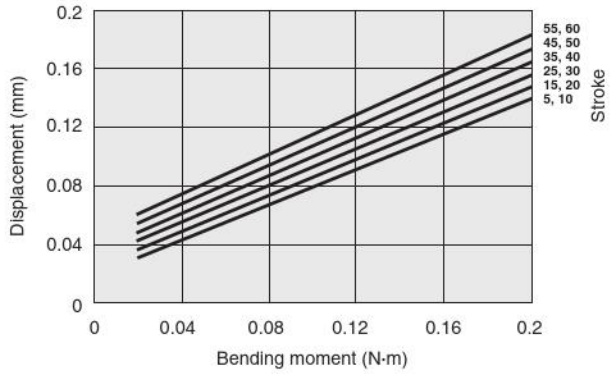
### ● Yawing (My)

Displacement of edge of table (arrow) when load  $W$  is applied at arrow

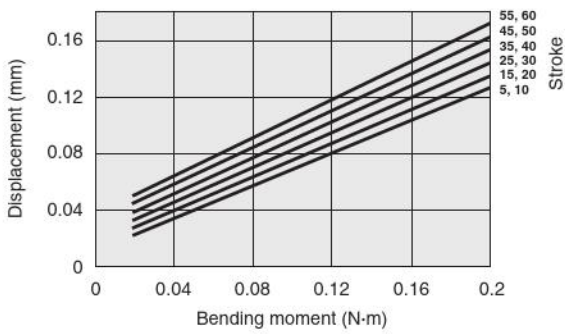
(Precaution: There may be a large increase in the displacement after a large impact load is applied to the table)



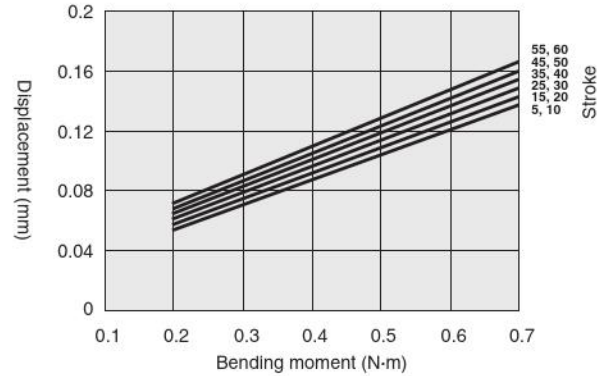
### ● BCGF8



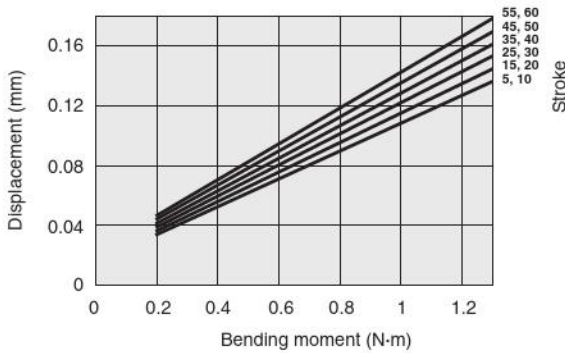
### ● BCGF12



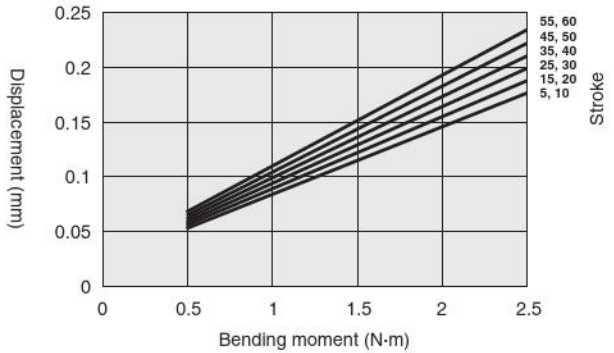
### ● BCGF16



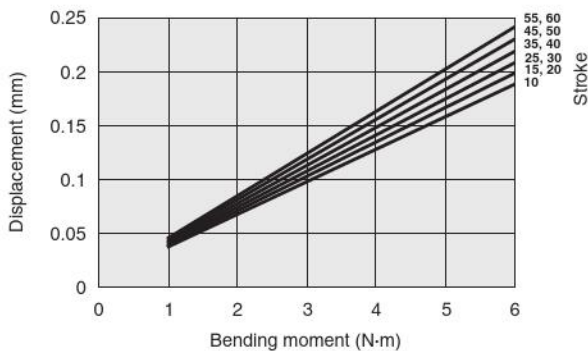
### ● BCGF20



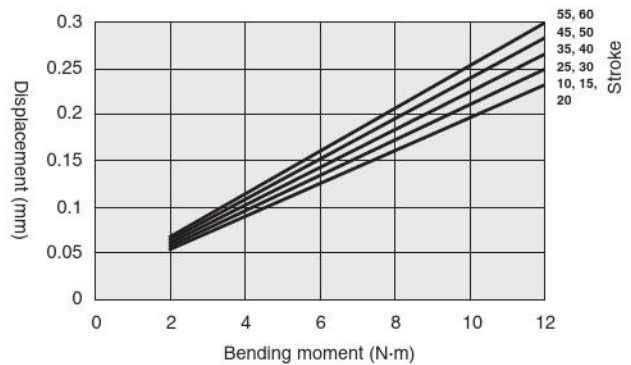
### ● BCGF25



### ● BCGF32



### ● BCGF40



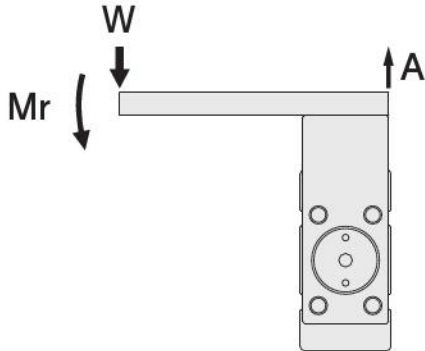
# Handling Instructions and Precautions

## Displacement of table due to bending moment for heat resistant specification cylinder with guide (reference values)

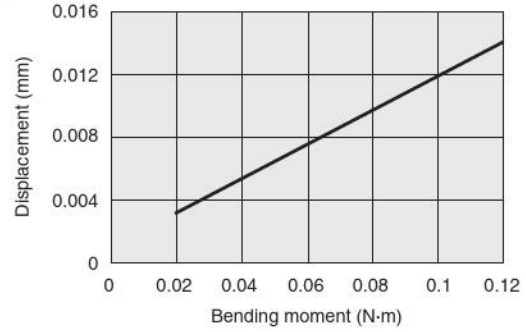
### ● Rolling (Mr)

Displacement of edge of table (arrow A) when load W is applied at arrow

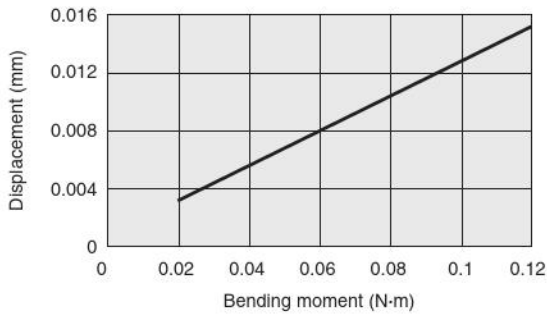
(Precaution: There may be a large increase in the displacement after a large impact load is applied to the table)



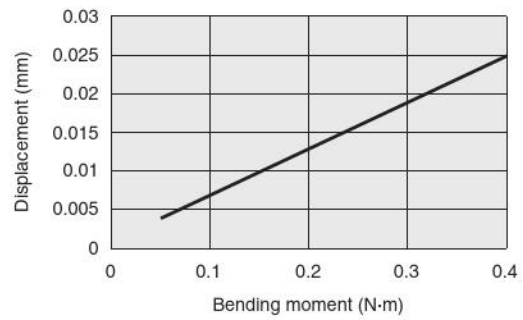
### ● BCGF8



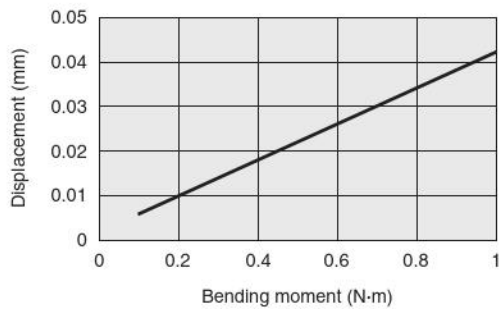
### ● BCGF12



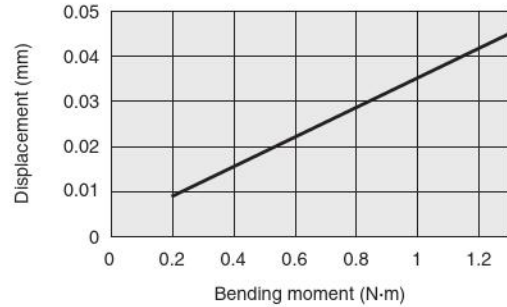
### ● BCGF16



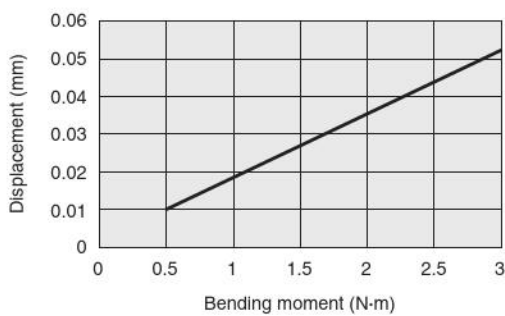
### ● BCGF20



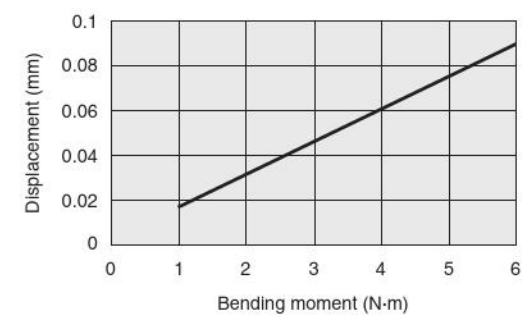
### ● BCGF25



### ● BCGF32



### ● BCGF40



# Handling Instructions and Precautions

## Thrust

### ● Double acting type

N

Cylinder bore mm	Piston rod diameter mm	Operation	Pressure area mm <sup>2</sup>	Air pressure MPa						
				0.1	0.2	0.3	0.4	0.5	0.6	0.7
6	4	Push side	28.3	2.8	5.7	8.5	11.3	14.2	17.0	19.8
		Pull side	15.7	1.6	3.1	4.7	6.3	7.9	9.4	11.0
8	5	Push side	50.3	5.0	10.1	15.1	20.1	25.2	30.2	35.2
		Pull side	30.6	3.1	6.1	9.2	12.2	15.3	18.4	21.4
10	5	Push side	78.5	7.9	15.7	23.6	31.4	39.3	47.1	55.0
		Pull side	58.9	5.9	11.8	17.7	23.6	29.5	35.3	41.2
12	6	Push side	113.0	11.3	22.6	33.9	45.2	56.5	67.8	79.1
		Pull side	84.8	8.5	17.0	25.4	33.9	42.4	50.9	59.4
16	8	Push side	201.0	20.1	40.2	60.3	80.4	100.5	120.6	140.7
		Pull side	150.0	15.0	30.0	45.0	60.0	75.0	90.0	105.0
20	10	Push side	314.0	31.4	62.8	94.2	125.6	157.0	188.4	219.8
		Pull side	235.5	23.6	47.1	70.7	94.2	117.8	141.3	164.9
25	12	Push side	490.6	49.1	98.1	147.2	196.2	245.3	294.4	343.4
		Pull side	377.6	37.8	75.5	113.3	151.0	188.8	226.6	264.3
32	16	Push side	803.8	80.4	160.8	241.1	321.5	401.9	482.3	562.7
		Pull side	602.9	60.3	120.6	180.9	241.2	301.5	361.7	422.0
40	16	Push side	1256.0	125.6	251.2	376.8	502.4	628.0	753.6	879.2
		Pull side	1055.0	105.5	211.0	316.5	422.0	527.5	633.0	738.5
50	20	Push side	1962.5	196.3	392.5	588.8	785.0	981.3	1177.5	1373.8
		Pull side	1648.5	164.9	329.7	494.6	659.4	824.3	989.1	1154.0
63	20	Push side	3115.7	311.6	623.1	934.7	1246.3	1557.9	1869.4	2181.0
		Pull side	2801.7	280.2	560.3	840.5	1120.7	1400.9	1681.0	1961.2
80	25	Push side	5024.0	502.4	1004.8	1507.2	2009.6	2512.0	3014.4	3516.8
		Pull side	4533.4	453.3	906.7	1360.0	1813.4	2266.7	2720.0	3173.4
100	30	Push side	7850.0	785.0	1570.0	2355.0	3140.0	3925.0	4710.0	5495.0
		Pull side	7143.5	714.4	1428.7	2143.1	2857.4	3571.8	4286.1	5000.5
125	35	Push side	12265.6	1226.6	2453.1	3679.7	4906.3	6132.8	7359.4	8585.9
		Pull side	11304.0	1130.4	2260.8	3391.2	4521.6	5652.0	6782.4	7912.8

### ● Single acting type

N

Operating type	Cylinder bore mm	Piston rod diameter mm	Pressure area mm <sup>2</sup>	Air pressure MPa						Spring return force (END)
				0.2	0.3	0.4	0.5	0.6	0.7	
Push Single acting type	6	4	28.3	2.5	5.3	8.1	11.0	13.8	16.6	3.16
	8	5	50.3	3.6	8.6	13.6	18.7	23.7	28.7	6.5
	10	5	78.5	8.5	16.4	24.2	32.1	39.9	47.8	7.17
	12	6	113.0	12.7	24.0	35.3	46.6	57.9	69.2	9.9
	16	8	201.0	23.8	43.9	64.0	84.1	104.2	124.3	16.4
	20	10	314.0	46.4	77.8	109.2	140.6	172.0	203.4	16.4
	25	12	490.6	77.8	126.9	175.9	225.0	274.1	323.1	20.3
	32	16	803.8	127.8	208.1	288.5	368.9	449.3	529.7	33
	40	16	1256.0	211.7	337.3	462.9	588.5	714.1	839.7	39.5
Pull Single acting type	6	4	15.7	–	1.3	2.8	4.4	6.0	7.5	3.45
	8	5	30.6	–	2.0	5.1	8.1	11.2	14.3	7.17
	10	5	58.9	4.6	10.5	16.4	22.3	35.3	34.2	7.17
	12	6	84.8	7.1	15.5	24.0	32.5	41.0	49.5	9.9
	16	8	150.0	13.6	28.6	43.6	58.6	73.6	88.6	16.4
	20	10	235.5	30.7	54.3	77.8	101.4	124.9	148.5	16.4
	25	12	377.6	55.2	93.0	130.7	168.5	206.3	244.0	20.3
	32	16	602.9	87.6	147.9	208.2	268.5	328.7	389.0	33
	40	16	1055.0	171.5	277.0	382.5	488.0	593.5	699.0	39.5
50	20	1648.5	276.0	440.9	605.7	770.6	935.4	1100.3	53.7	

# Handling Instructions and Precautions

## Thrust

### ● Double acting type

lbf

Cylinder bore in.	Piston rod diameter in.	Operation	Pressure area in <sup>2</sup>	Air pressure psi						
				15	29	44	58	73	87	102
0.236	0.157	Push side	0.044	0.629	1.281	1.911	2.540	3.192	3.822	4.451
		Pull side	0.024	0.360	0.697	1.057	1.416	1.776	2.113	2.473
0.315	0.197	Push side	0.078	1.124	2.271	3.395	4.519	5.665	6.789	7.913
		Pull side	0.047	0.697	1.371	2.068	2.743	3.440	4.136	4.811
0.394	0.197	Push side	0.122	1.776	3.530	5.305	7.059	8.835	10.589	12.364
		Pull side	0.091	1.326	2.653	3.979	5.305	6.632	7.936	9.262
0.472	0.236	Push side	0.175	2.540	5.081	7.621	10.161	12.702	15.242	17.782
		Pull side	0.131	1.911	3.822	5.710	7.621	9.532	11.443	13.354
0.630	0.315	Push side	0.312	4.519	9.037	13.556	18.075	22.593	27.112	31.631
		Pull side	0.233	3.372	6.744	10.116	13.489	16.861	20.233	23.605
0.787	0.394	Push side	0.487	7.059	14.118	21.177	28.236	35.295	42.354	49.413
		Pull side	0.365	5.305	10.589	15.894	21.177	26.482	31.766	37.071
0.984	0.472	Push side	0.760	11.038	22.054	33.092	44.108	55.146	66.184	77.199
		Pull side	0.585	8.498	16.973	25.471	33.946	42.444	50.942	59.417
1.260	0.630	Push side	1.246	18.075	36.149	54.201	72.276	90.351	108.4	126.5
		Pull side	0.934	13.556	27.112	40.668	54.224	67.780	81.313	94.869
1.575	0.630	Push side	1.947	28.236	56.472	84.708	112.9	141.2	169.4	197.7
		Pull side	1.635	23.717	47.435	71.152	94.869	118.6	142.3	166.0
1.969	0.787	Push side	3.042	44.130	88.238	132.4	176.5	220.6	264.7	308.8
		Pull side	2.555	37.071	74.120	111.2	148.2	185.3	222.4	259.4
2.480	0.787	Push side	4.829	70.050	140.1	210.1	280.2	350.2	420.3	490.3
		Pull side	4.343	62.991	126.0	189.0	251.9	314.9	377.9	440.9
3.150	0.984	Push side	7.787	112.9	225.9	338.8	451.8	564.7	677.7	790.6
		Pull side	7.027	101.9	203.8	305.7	407.7	509.6	611.5	713.4
3.937	1.181	Push side	12.168	176.5	353.0	529.4	705.9	882.4	1059	1235
		Pull side	11.072	160.6	321.2	481.8	642.4	803.0	963.6	1124
4.921	1.378	Push side	19.012	275.8	551.5	827.2	1103	1379	1654	1930
		Pull side	17.521	254.1	508.2	762.4	1016	1271	1525	1779

### ● Single acting type

lbf

Operating type	Cylinder bore in.	Piston rod diameter in.	Pressure area in <sup>2</sup>	Air pressure psi						Spring return force (END)
				29	44	58	73	87	102	
Push Single acting type	0.236	0.157	0.044	0.562	1.191	1.821	2.473	3.102	3.732	0.710
	0.315	0.197	0.078	0.809	1.933	3.057	4.204	5.328	6.452	1.461
	0.394	0.197	0.122	1.911	3.687	5.440	7.216	8.970	10.746	1.612
	0.472	0.236	0.175	2.855	5.395	7.936	10.476	13.016	15.557	2.226
	0.630	0.315	0.312	5.350	9.869	14.388	18.906	23.425	27.944	3.687
	0.787	0.394	0.487	10.431	17.490	24.549	31.608	38.667	45.726	3.687
	0.984	0.472	0.760	17.490	28.528	39.544	50.582	61.620	72.636	4.564
	1.260	0.630	1.246	28.731	46.783	64.857	82.932	101.0	119.1	7.419
	1.575	0.630	1.947	47.592	75.828	104.1	132.3	160.5	188.8	8.880
1.969	0.787	3.042	76.165	120.3	164.4	208.5	252.6	296.8	12.072	
Pull Single acting type	0.236	0.157	0.024	–	0.292	0.629	0.989	1.349	1.686	0.776
	0.315	0.197	0.047	–	0.450	1.147	1.821	2.518	3.215	1.612
	0.394	0.197	0.091	1.034	2.360	3.687	5.013	6.340	7.668	1.612
	0.472	0.236	0.131	1.596	3.485	5.395	7.306	9.217	11.128	2.226
	0.630	0.315	0.233	3.057	6.430	9.802	13.174	16.546	19.918	3.687
	0.787	0.394	0.365	6.902	12.207	17.490	22.796	28.079	33.384	3.687
	0.984	0.472	0.585	12.409	20.907	29.383	37.880	46.378	54.853	4.564
	1.260	0.630	0.934	19.693	33.249	46.805	60.361	73.895	87.451	7.419
	1.575	0.630	1.635	38.555	62.272	85.989	109.7	133.4	157.1	8.880
1.969	0.787	2.555	62.047	99.118	136.2	173.2	210.3	247.4	12.072	

# Basic Cylinders

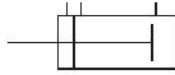
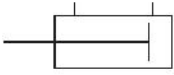
Clean system compatible cylinders  
Double acting type (single rod)



## Symbol

### ● Double acting type

Without dust collection port      With dust collection port



## Specifications

### ● Double acting type (clean room specification)

Item	Cylinder bore	6 [0.236] <sup>Note 1</sup>	8 [0.315] <sup>Note 1</sup>	10 [0.394]	12 [0.472]	16 [0.630]	20 [0.787]	25 [0.984]	32 [1.260]	40 [1.575]	50 [1.969]	63 [2.480]	
Operating type	Double acting type												
Medium	Air												
Operating pressure range	MPa [psi]	0.12 to 0.7 [17 to 102]		0.06 to 0.7 [9 to 102]				0.05 to 0.7 [7 to 102]					
Proof pressure	MPa [psi]	1.05 [152]											
Operating temperature range	°C [°F]	0 to 60 [32 to 140]											
Operating speed range	mm/s [in/sec]	10 to 300 [0.394 to 11.811]											
Cushion	Rubber bumper												
Lubrication	No												
Port size		M3×0.5			M5×0.8				Rc1/8		Rc1/4		
Clean room rating <sup>Note 2</sup>	With dust collection port	-		Class 5 equivalent (FED-STD Class 1000 equivalent) <sup>Note 3</sup>									
	Without dust collection port	Class 6 equivalent (FED-STD Class 1000 equivalent) <sup>Note 3</sup>											

Note 1: Cylinders with dust collection ports not available for cylinder bores  $\phi 6$  [0.236] and  $\phi 8$  [0.315].

2: Koganei standard. For "with dust collection port," in the case of vacuum suction from dust collection port.

3: FED-STD was abolished as of November 2001, and it is designed here for reference purpose.

## Cylinder bore and stroke

### ● Double acting type

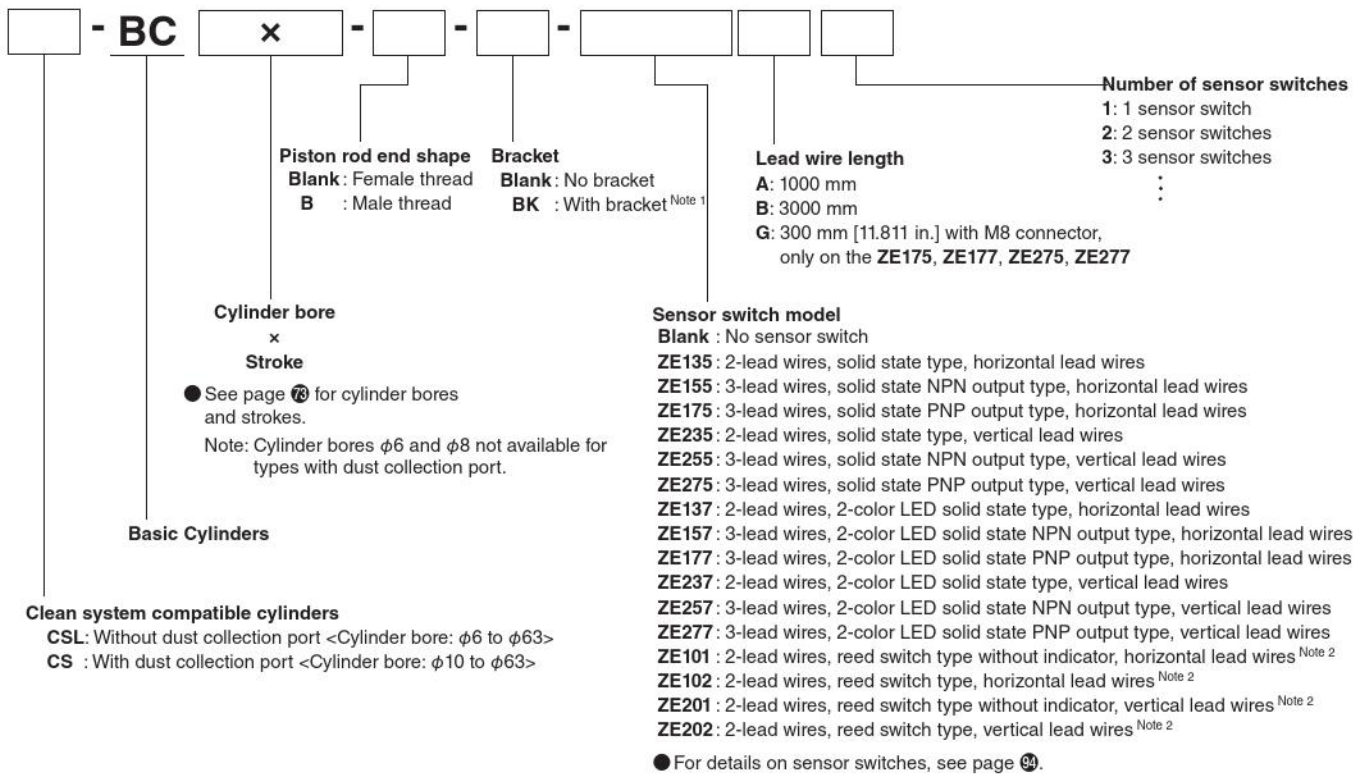
Cylinder bore	Standard stroke	Maximum available stroke
6 [0.236] <sup>Note 1</sup> , 8 [0.315] <sup>Note 1</sup> , 10 [0.394]	5, 10, 15, 20, 25, 30	50
12 [0.472], 16 [0.630]	5, 10, 15, 20, 25, 30, 35, 40, 45, 50	100
20 [0.787], 25 [0.984]	5 <sup>Note 2</sup> , 10, 15, 20, 25, 30, 35, 40, 45, 50, 55, 60, 70, 75, 80, 90, 100	125
32 [1.260], 40 [1.575]	10, 15, 20, 25, 30, 35, 40, 45, 50, 55, 60, 70, 75, 80, 90, 100	200
50 [1.969], 63 [2.480]	10, 15, 20, 25, 30, 35, 40, 45, 50, 55, 60, 70, 75, 80, 90, 100	200

Note 1: Cylinders with dust collection ports not available for cylinder bores  $\phi 6$  [0.236] and  $\phi 8$  [0.315].

2: This stroke is available with collar insertion.

## Order Codes (Clean system compatible cylinders)

### Double acting type (single rod)



- Note 1: Brackets cannot be attached to cylinders that have  $\phi 6$  and  $\phi 8$  cylinder bores.  
 2: Reed type sensor switches cannot be attached to cylinders that have  $\phi 6$ ,  $\phi 8$ ,  $\phi 10$ , or  $\phi 12$  cylinder bores.  
 3: When using reed switch type sensor switches, operates at cylinder speed of 30 mm/s or higher.

## Mass

### Double acting type (clean room specification, without dust collection port)

Model	Stroke																
	5	10	15	20	25	30	35	40	45	50	55	60	70	75	80	90	100
CSL-BC6	13 (15)	16 (18)	20 (22)	23 (25)	27 (29)	30 (32)	-	-	-	-	-	-	-	-	-	-	-
CSL-BC8	19 (21)	21 (23)	24 (26)	27 (29)	31 (32)	32 (34)	-	-	-	-	-	-	-	-	-	-	-
CSL-BC10	21 (23)	23 (25)	26 (28)	29 (31)	32 (34)	34 (36)	-	-	-	-	-	-	-	-	-	-	-
CSL-BC12	29 (32)	33 (36)	38 (41)	42 (45)	46 (49)	50 (53)	55 (58)	59 (62)	63 (66)	67 (70)	-	-	-	-	-	-	-
CSL-BC16	44 (49)	49 (54)	55 (60)	61 (66)	67 (72)	72 (77)	78 (83)	84 (89)	90 (95)	95 (100)	-	-	-	-	-	-	-
CSL-BC20	86 (96)	84 (94)	93 (103)	102 (112)	111 (121)	120 (130)	129 (139)	137 (147)	146 (156)	155 (165)	164 (174)	173 (183)	190 (200)	199 (209)	208 (218)	226 (236)	243 (253)
CSL-BC25	126 (142)	122 (138)	134 (150)	146 (162)	159 (175)	171 (187)	183 (199)	195 (211)	207 (223)	219 (235)	231 (247)	243 (259)	267 (283)	280 (296)	292 (308)	316 (332)	340 (356)
CSL-BC32	-	222 (262)	242 (282)	262 (302)	283 (323)	303 (343)	323 (363)	343 (383)	363 (403)	383 (423)	403 (443)	423 (463)	464 (504)	484 (524)	504 (544)	544 (584)	584 (624)
CSL-BC40	-	316 (356)	339 (379)	362 (402)	386 (426)	409 (449)	433 (473)	456 (496)	479 (519)	502 (542)	526 (566)	549 (589)	596 (636)	619 (659)	642 (682)	689 (729)	735 (775)
CSL-BC50	-	545 (640)	580 (675)	614 (709)	649 (744)	683 (778)	718 (813)	752 (847)	786 (881)	820 (915)	855 (950)	889 (984)	958 (1053)	993 (1088)	1027 (1122)	1096 (1191)	1164 (1259)
CSL-BC63	-	832 (927)	872 (967)	912 (1007)	952 (1047)	991 (1086)	1031 (1126)	1071 (1166)	1111 (1206)	1150 (1245)	1190 (1285)	1230 (1325)	1310 (1405)	1350 (1445)	1389 (1484)	1469 (1564)	1548 (1643)

Values in ( ) parentheses are masses for male thread specifications

### Double acting type (clean room specification, with dust collection port)

Model	Stroke																
	5	10	15	20	25	30	35	40	45	50	55	60	70	75	80	90	100
CS-BC10	29 (31)	31 (33)	34 (36)	37 (39)	40 (42)	42 (44)	-	-	-	-	-	-	-	-	-	-	-
CS-BC12	43 (46)	47 (50)	52 (55)	56 (59)	60 (63)	64 (67)	69 (72)	73 (76)	77 (80)	81 (84)	-	-	-	-	-	-	-
CS-BC16	61 (66)	66 (71)	72 (77)	78 (83)	84 (89)	89 (94)	95 (100)	101 (106)	107 (112)	112 (117)	-	-	-	-	-	-	-
CS-BC20	111 (121)	109 (119)	118 (128)	127 (137)	136 (146)	145 (155)	154 (164)	162 (172)	171 (181)	180 (190)	189 (199)	198 (208)	215 (225)	224 (234)	233 (243)	251 (261)	268 (278)
CS-BC25	162 (178)	158 (174)	170 (186)	182 (198)	195 (211)	207 (223)	219 (235)	231 (247)	243 (259)	255 (271)	267 (283)	279 (295)	303 (319)	316 (332)	328 (344)	352 (368)	376 (392)
CS-BC32	-	306 (346)	326 (366)	346 (386)	367 (407)	387 (427)	407 (447)	427 (467)	447 (487)	467 (507)	487 (527)	507 (547)	548 (588)	568 (608)	588 (628)	628 (668)	668 (708)
CS-BC40	-	437 (477)	460 (500)	483 (523)	507 (547)	530 (570)	554 (594)	577 (617)	600 (640)	623 (663)	647 (687)	670 (710)	717 (757)	740 (780)	763 (803)	810 (850)	856 (896)
CS-BC50	-	740 (835)	775 (870)	809 (904)	844 (939)	878 (973)	913 (1008)	947 (1042)	981 (1076)	1015 (1110)	1050 (1145)	1084 (1179)	1153 (1248)	1188 (1283)	1222 (1317)	1291 (1386)	1359 (1454)
CS-BC63	-	1174 (1269)	1214 (1309)	1254 (1349)	1294 (1389)	1333 (1428)	1373 (1468)	1413 (1508)	1453 (1548)	1492 (1587)	1532 (1627)	1572 (1667)	1652 (1747)	1692 (1787)	1731 (1826)	1811 (1906)	1890 (1985)

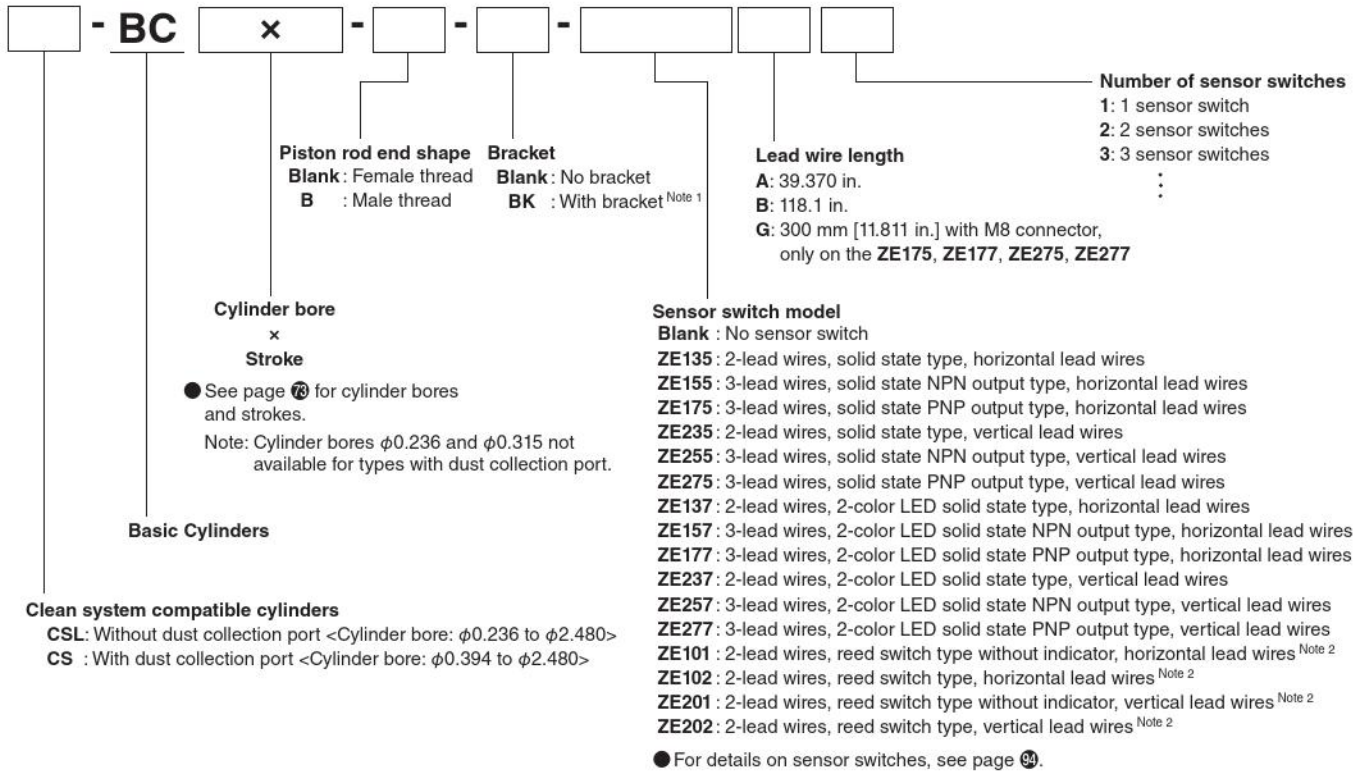
Values in ( ) parentheses are masses for male thread specifications

### Additional mass of sensor switches

ZE□□□A, ZE□□□G: 15g      ZE□□□B: 35g

**Order Codes (Clean system compatible cylinders)**

**Double acting type (single rod)**



Note 1: Brackets cannot be attached to cylinders that have φ0.236 and φ0.315 cylinder bores.  
 2: Reed type sensor switches cannot be attached to cylinders that have φ0.236, φ0.315, φ0.394, or φ0.472 cylinder bores.  
 3: When using reed switch type sensor switches, operates at cylinder speed of 1.181 in/sec or higher.

**Mass**

**Double acting type (clean room specification, without dust collection port)**

oz

Model	Stroke																
	5	10	15	20	25	30	35	40	45	50	55	60	70	75	80	90	100
CSL-BC6	0.46 (0.53)	0.56 (0.63)	0.71 (0.78)	0.81 (0.88)	0.95 (1.02)	1.06 (1.13)	-	-	-	-	-	-	-	-	-	-	-
CSL-BC8	0.67 (0.74)	0.74 (0.81)	0.85 (0.92)	0.95 (1.02)	1.09 (1.13)	1.13 (1.20)	-	-	-	-	-	-	-	-	-	-	-
CSL-BC10	0.74 (0.81)	0.81 (0.88)	0.92 (0.99)	1.02 (1.09)	1.13 (1.20)	1.20 (1.27)	-	-	-	-	-	-	-	-	-	-	-
CSL-BC12	1.02 (1.13)	1.16 (1.27)	1.34 (1.45)	1.48 (1.59)	1.62 (1.73)	1.76 (1.87)	1.94 (2.05)	2.08 (2.19)	2.22 (2.33)	2.36 (2.47)	-	-	-	-	-	-	-
CSL-BC16	1.55 (1.73)	1.73 (1.90)	1.94 (2.12)	2.15 (2.33)	2.36 (2.54)	2.54 (2.72)	2.75 (2.93)	2.96 (3.14)	3.17 (3.35)	3.35 (3.53)	-	-	-	-	-	-	-
CSL-BC20	3.03 (3.39)	2.96 (3.32)	3.28 (3.63)	3.60 (3.95)	3.92 (4.27)	4.23 (4.59)	4.55 (4.90)	4.83 (5.19)	5.15 (5.50)	5.47 (5.82)	5.78 (6.14)	6.10 (6.46)	6.70 (7.05)	7.02 (7.37)	7.34 (7.69)	7.97 (8.32)	8.57 (8.92)
CSL-BC25	4.44 (5.01)	4.30 (4.87)	4.73 (5.29)	5.15 (5.71)	5.61 (6.17)	6.03 (6.60)	6.46 (7.02)	6.88 (7.44)	7.30 (7.87)	7.72 (8.29)	8.15 (8.71)	8.57 (9.14)	9.42 (9.98)	9.88 (10.44)	10.30 (10.86)	11.15 (11.71)	11.99 (12.56)
CSL-BC32	-	7.83 (9.24)	8.54 (9.95)	9.24 (10.65)	9.98 (11.39)	10.69 (12.10)	11.39 (12.80)	12.10 (13.51)	12.80 (14.22)	13.51 (14.92)	14.22 (15.63)	14.92 (16.33)	16.37 (17.78)	17.07 (18.48)	17.78 (19.19)	19.19 (20.60)	20.60 (22.01)
CSL-BC40	-	11.15 (12.56)	11.96 (13.37)	12.77 (14.18)	13.62 (15.03)	14.43 (15.84)	15.27 (16.68)	16.08 (17.50)	16.90 (18.31)	17.71 (19.12)	18.55 (19.96)	19.37 (20.78)	21.02 (22.43)	21.83 (23.25)	22.65 (24.06)	24.30 (25.71)	25.93 (27.34)
CSL-BC50	-	19.22 (22.57)	20.46 (23.81)	21.66 (25.01)	22.89 (26.24)	24.09 (27.44)	25.33 (28.68)	26.53 (29.88)	27.72 (31.08)	28.92 (32.28)	30.16 (33.51)	31.36 (34.71)	33.79 (37.14)	35.03 (38.38)	36.23 (39.58)	38.66 (42.01)	41.06 (44.41)
CSL-BC63	-	29.35 (32.70)	30.76 (34.11)	32.17 (35.52)	33.58 (36.93)	34.96 (38.31)	36.37 (39.72)	37.78 (41.13)	39.19 (42.54)	40.56 (43.92)	41.98 (45.33)	43.39 (46.74)	46.21 (49.56)	47.62 (50.97)	48.99 (52.35)	51.82 (55.17)	54.60 (57.95)

Values in ( ) parentheses are masses for male thread specifications

**Double acting type (clean room specification, with dust collection port)**

oz

Model	Stroke																
	5	10	15	20	25	30	35	40	45	50	55	60	70	75	80	90	100
CS-BC10	1.02 (1.09)	1.09 (1.16)	1.20 (1.27)	1.31 (1.38)	1.41 (1.48)	1.48 (1.55)	-	-	-	-	-	-	-	-	-	-	-
CS-BC12	1.52 (1.62)	1.66 (1.76)	1.83 (1.94)	1.98 (2.08)	2.12 (2.22)	2.26 (2.36)	2.43 (2.54)	2.57 (2.68)	2.72 (2.82)	2.86 (2.96)	-	-	-	-	-	-	-
CS-BC16	2.15 (2.33)	2.33 (2.50)	2.54 (2.72)	2.75 (2.93)	2.96 (3.14)	3.14 (3.32)	3.35 (3.53)	3.56 (3.74)	3.77 (3.95)	3.95 (4.13)	-	-	-	-	-	-	-
CS-BC20	3.92 (4.27)	3.84 (4.20)	4.16 (4.51)	4.48 (4.83)	4.80 (5.15)	5.11 (5.47)	5.43 (5.78)	5.71 (6.07)	6.03 (6.38)	6.35 (6.70)	6.67 (7.02)	6.98 (7.34)	7.58 (7.94)	7.90 (8.25)	8.22 (8.57)	8.85 (9.21)	9.45 (9.81)
CS-BC25	5.71 (6.28)	5.57 (6.14)	6.00 (6.56)	6.42 (6.98)	6.88 (7.44)	7.30 (7.87)	7.72 (8.29)	8.15 (8.71)	8.57 (9.14)	8.99 (9.56)	9.42 (9.98)	9.84 (10.41)	10.69 (11.25)	11.15 (11.71)	11.57 (12.13)	12.42 (12.98)	13.26 (13.83)
CS-BC32	-	10.79 (12.20)	11.50 (12.91)	12.20 (13.62)	12.95 (14.36)	13.65 (15.06)	14.36 (15.77)	15.06 (16.47)	15.77 (17.18)	16.47 (17.88)	17.18 (18.59)	17.88 (19.29)	19.33 (20.74)	20.04 (21.45)	20.74 (22.15)	22.15 (23.56)	23.56 (24.97)
CS-BC40	-	15.41 (16.83)	16.23 (17.64)	17.04 (18.45)	17.88 (19.29)	18.69 (20.11)	19.54 (20.95)	20.35 (21.76)	21.16 (22.57)	21.98 (23.39)	22.82 (24.23)	23.63 (25.04)	25.29 (26.70)	26.10 (27.51)	26.91 (28.32)	28.57 (29.98)	30.19 (31.60)
CS-BC50	-	26.10 (29.45)	27.34 (30.69)	28.54 (31.89)	29.77 (33.12)	30.97 (34.32)	32.20 (35.56)	33.40 (36.75)	34.60 (37.95)	35.80 (39.32)	37.04 (40.39)	38.24 (41.59)	40.67 (44.02)	41.90 (45.26)	43.10 (46.46)	45.54 (48.89)	47.94 (51.29)
CS-BC63	-	41.41 (44.76)	42.82 (46.17)	44.23 (47.58)	45.64 (48.99)	47.02 (50.37)	48.43 (51.78)	49.84 (53.19)	51.25 (54.60)	52.63 (55.98)	54.04 (57.39)	55.45 (58.80)	58.27 (61.62)	59.68 (63.03)	61.06 (64.41)	63.88 (67.23)	66.67 (70.02)

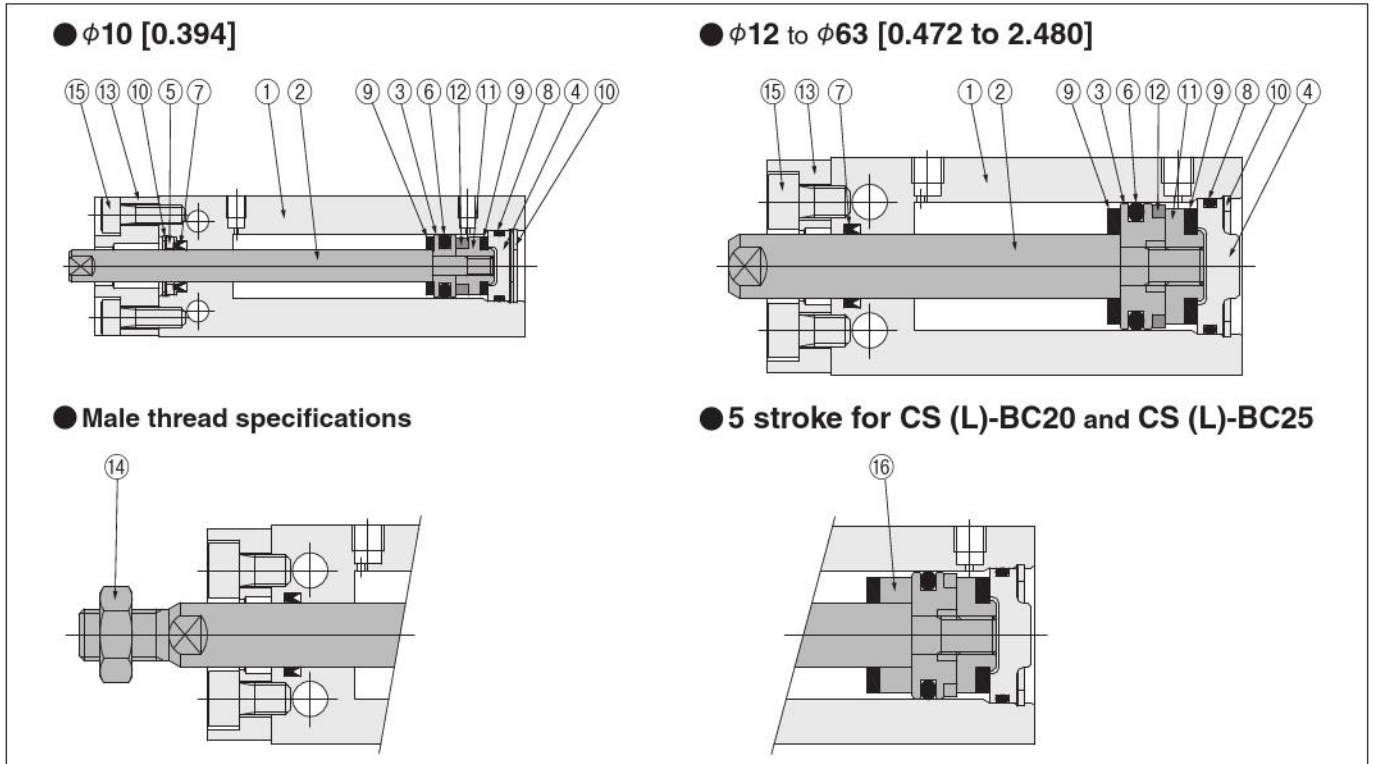
Values in ( ) parentheses are masses for male thread specifications

**Additional mass of sensor switches**

ZE□□□A, ZE□□□G: 0.53 oz      ZE□□□B: 1.23 oz

## Inner construction

### Double acting type (clean room specification)



### Major parts and materials (clean room specification)

No	Name	φ6 [0.236] <sup>Note 1</sup>	φ8 [0.315] <sup>Note 1</sup>	φ10 [0.394]	φ12 [0.472]	φ16 [0.630]	φ20 [0.787]	φ25 [0.984]	φ32 [1.260]	φ40 [1.575]	φ50 [1.969]	φ63 [2.480]	
①	Cylinder body	Aluminum alloy (special anti-abrasion treated)											
②	Piston rod	Stainless steel											
③	Piston	Stainless steel					Aluminum alloy (anodized)						
④	Head cover	Aluminum alloy (anodized)											
⑤	Packing holder	Aluminum alloy (anodized)	-	-	-	-	-	-	-	-	-	-	
⑥	★Piston packing	Synthetic rubber (NBR)											
⑦	★Rod packing	Synthetic rubber (NBR)											
⑧	★O-ring	Synthetic rubber (NBR)											
⑨	Bumper	Synthetic rubber (NBR)											
⑩	★Retaining ring	Stainless steel <sup>Note 2</sup>			Steel (electroless nickel plated)								
⑪	Support	Stainless steel	Aluminum alloy (anodized)										
⑫	Magnet	Neodymium magnet								Plastic magnet			
⑬	Rod cover (with dust collection port) <sup>Note 4</sup>	-	-	Aluminum alloy (anodized)									
⑭	Rod end nut	Stainless steel											
⑮	Bolt	Stainless steel											
⑯	Collar <sup>Note 3</sup>	-	-	-	-	-	Aluminum alloy (anodized)	-	-	-	-		

Items indicated by a ★ are available as additional parts or in packing sets. For order codes, see page 22.

Note 1: Cylinders with dust collection ports not available for cylinder bores φ6 [0.236] and φ8 [0.315].

2: φ6 [0.236], φ8 [0.315], and φ10 [0.394] head cover side is steel. (electroless nickel plated).

3: Only 5-stroke models are attached with a collar.

4: Models without dust collection ports and models with dust collection ports are available for φ10 to φ63 [0.394 to 2.480]. For information about the internal structure (shape) of without dust collection port, see the double acting type diagrams on page 23.

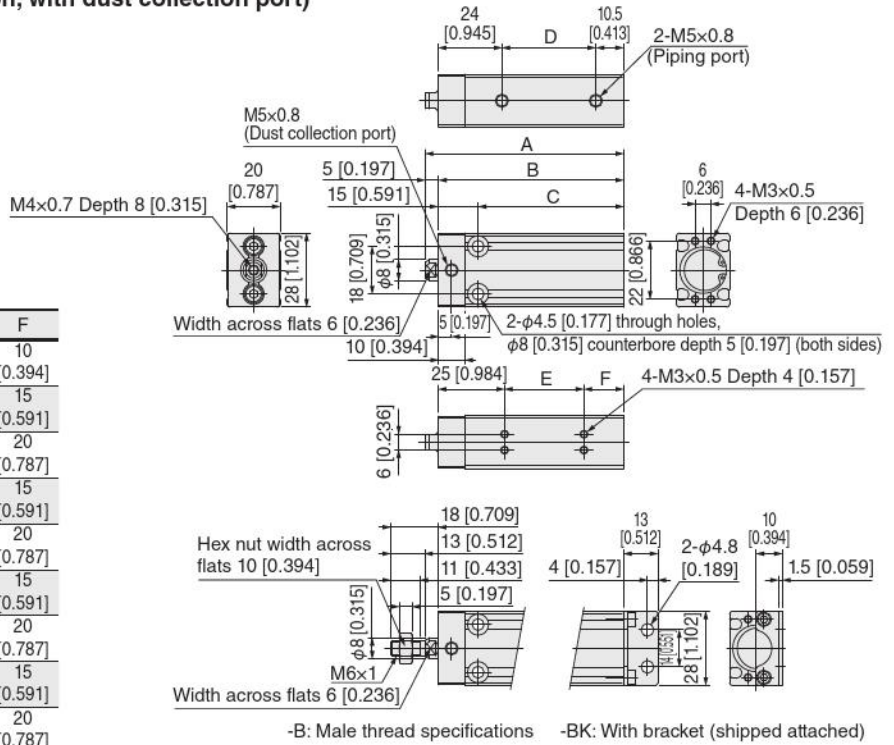


# Double acting clean system compatible cylinder dimensions (mm [in.])

Dimensions of without dust collection port types are the same as those for the standard specification. Refer to page 33.

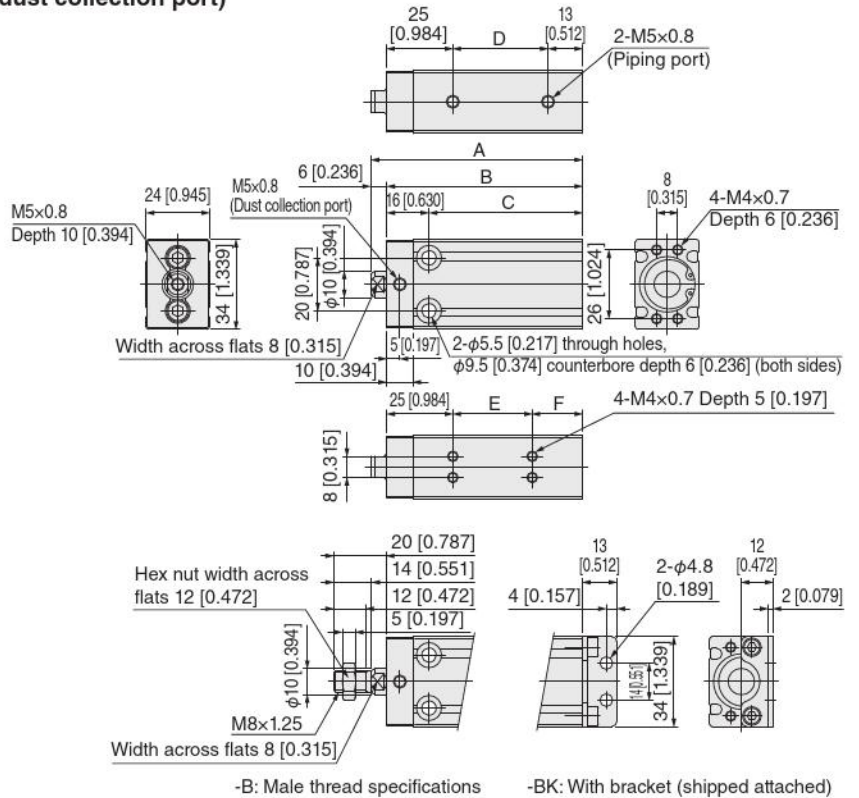
## ● CS-BC16 (clean room specification, with dust collection port)

Stroke	A	B	C	D	E	F
5	50 [1.969]	45 [1.772]	30 [1.181]	10.5 [0.413]	10 [0.394]	10 [0.394]
10	55 [2.165]	50 [1.969]	35 [1.378]	15.5 [0.610]	10 [0.394]	15 [0.591]
15	60 [2.362]	55 [2.165]	40 [1.575]	20.5 [0.807]	10 [0.394]	20 [0.787]
20	65 [2.559]	60 [2.362]	45 [1.772]	25.5 [1.004]	20 [0.787]	15 [0.591]
25	70 [2.756]	65 [2.559]	50 [1.969]	30.5 [1.201]	20 [0.787]	20 [0.787]
30	75 [2.953]	70 [2.756]	55 [2.165]	35.5 [1.398]	30 [1.181]	15 [0.591]
35	80 [3.150]	75 [2.953]	60 [2.362]	40.5 [1.594]	30 [1.181]	20 [0.787]
40	85 [3.346]	80 [3.150]	65 [2.559]	45.5 [1.791]	40 [1.575]	15 [0.591]
45	90 [3.543]	85 [3.346]	70 [2.756]	50.5 [1.988]	40 [1.575]	20 [0.787]
50	95 [3.740]	90 [3.543]	75 [2.953]	55.5 [2.185]	50 [1.969]	15 [0.591]



## ● CS-BC20 (clean room specification, with dust collection port)

Stroke	A	B	C	D	E	F
5	60 [2.362]	54 [2.126]	38 [1.496]	16 [0.630]	10 [0.394]	19 [0.748]
10	65 [2.559]	59 [2.323]	43 [1.693]	21 [0.827]	10 [0.394]	24 [0.945]
15	70 [2.756]	64 [2.520]	48 [1.890]	26 [1.024]	10 [0.394]	19 [0.748]
20	75 [2.953]	69 [2.717]	53 [2.087]	31 [1.220]	10 [0.394]	24 [0.945]
25	80 [3.150]	74 [2.913]	58 [2.283]	36 [1.417]	10 [0.394]	19 [0.748]
30	85 [3.346]	79 [3.110]	63 [2.480]	41 [1.614]	10 [0.394]	24 [0.945]
35	90 [3.543]	84 [3.307]	68 [2.677]	46 [1.811]	10 [0.394]	19 [0.748]
40	95 [3.740]	89 [3.504]	73 [2.874]	51 [2.008]	10 [0.394]	24 [0.945]
50	100 [3.937]	94 [3.701]	78 [3.071]	56 [2.205]	10 [0.394]	19 [0.748]
55	105 [4.134]	99 [3.898]	83 [3.268]	61 [2.402]	10 [0.394]	24 [0.945]
60	110 [4.331]	104 [4.094]	88 [3.465]	66 [2.598]	10 [0.394]	29 [1.142]
70	120 [4.724]	114 [4.488]	98 [3.858]	76 [2.992]	10 [0.394]	19 [0.748]
75	125 [4.921]	119 [4.685]	103 [4.055]	81 [3.189]	10 [0.394]	24 [0.945]
80	130 [5.118]	124 [4.882]	108 [4.252]	86 [3.386]	10 [0.394]	29 [1.142]
90	140 [5.512]	134 [5.276]	118 [4.646]	96 [3.780]	10 [0.394]	19 [0.748]
100	150 [5.906]	144 [5.669]	128 [5.039]	106 [4.173]	10 [0.394]	29 [1.142]



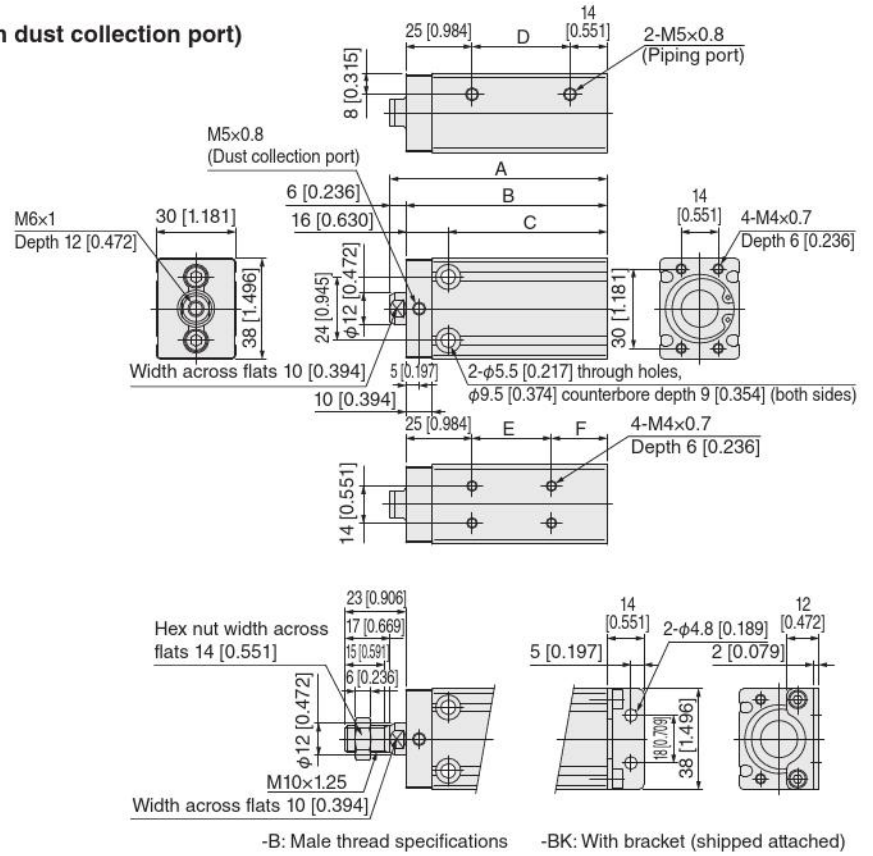
Note: 5-stroke models are available with collar insertion.

# Double acting clean system compatible cylinder dimensions (mm [in.])

Dimensions of without dust collection port types are the same as those for the standard specification. Refer to page 34.

## CS-BC25 (clean room specification, with dust collection port)

Stroke	A	B	C	D	E	F
5	62	56	40	17	10	21
10	[2.441]	[2.205]	[1.575]	[0.669]	[0.394]	[0.827]
15	67	61	45	22	10	26
20	[2.638]	[2.402]	[1.772]	[0.866]	[0.394]	[1.024]
25	72	66	50	27	20	21
30	[2.835]	[2.598]	[1.969]	[1.063]	[0.787]	[0.827]
35	77	71	55	32	20	26
40	[3.031]	[2.795]	[2.165]	[1.260]	[0.787]	[1.024]
45	82	76	60	37	30	21
50	[3.228]	[2.992]	[2.362]	[1.457]	[1.181]	[0.827]
55	87	81	65	42	30	26
60	[3.425]	[3.189]	[2.559]	[1.654]	[1.181]	[1.024]
65	92	86	70	47	40	21
70	[3.622]	[3.386]	[2.756]	[1.850]	[1.575]	[0.827]
75	97	91	75	52	40	26
80	[3.819]	[3.583]	[2.953]	[2.047]	[1.575]	[1.024]
85	102	96	80	57	50	21
90	[4.016]	[3.780]	[3.150]	[2.244]	[1.969]	[0.827]
95	107	101	85	62	50	26
100	[4.213]	[3.976]	[3.346]	[2.441]	[1.969]	[1.024]

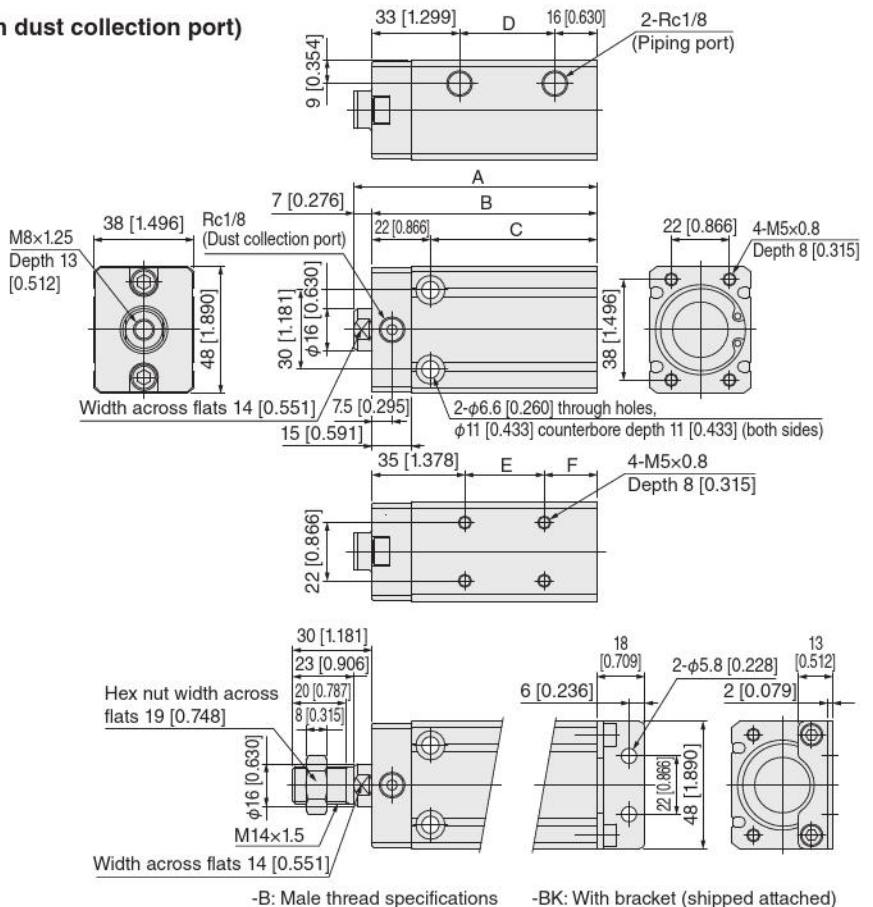


-B: Male thread specifications -BK: With bracket (shipped attached)

Note: 5-stroke models are available with collar insertion.

## CS-BC32 (clean room specification, with dust collection port)

Stroke	A	B	C	D	E	F
10	72	65	43	16	10	20
15	[2.835]	[2.559]	[1.693]	[0.630]	[0.394]	[0.787]
20	77	70	48	21	10	25
25	[3.031]	[2.756]	[1.890]	[0.827]	[0.394]	[0.984]
30	82	75	53	26	20	20
35	[3.228]	[2.953]	[2.087]	[1.024]	[0.787]	[0.787]
40	87	80	58	31	20	25
45	[3.425]	[3.150]	[2.283]	[1.220]	[0.787]	[0.984]
50	92	85	63	36	30	20
55	[3.622]	[3.346]	[2.480]	[1.417]	[1.181]	[0.787]
60	97	90	68	41	30	25
65	[3.819]	[3.543]	[2.677]	[1.614]	[1.181]	[0.984]
70	102	95	73	46	40	20
75	[4.016]	[3.740]	[2.874]	[1.811]	[1.575]	[0.787]
80	107	100	78	51	40	25
85	[4.213]	[3.937]	[3.071]	[2.008]	[1.575]	[0.984]
90	112	105	83	56	50	20
95	[4.409]	[4.134]	[3.268]	[2.205]	[1.969]	[0.787]
100	117	110	88	61	50	25
105	[4.606]	[4.331]	[3.465]	[2.402]	[1.969]	[0.984]
110	122	115	93	66	50	30
115	[4.803]	[4.528]	[3.661]	[2.598]	[1.969]	[1.181]
120	132	125	103	76	70	20
125	[5.197]	[4.921]	[4.055]	[2.992]	[2.756]	[0.787]
130	137	130	108	81	70	25
135	[5.394]	[5.118]	[4.252]	[3.189]	[2.756]	[0.984]
140	142	135	113	86	80	20
145	[5.591]	[5.315]	[4.449]	[3.386]	[3.150]	[0.787]
150	152	145	123	96	80	30
155	[5.984]	[5.709]	[4.843]	[3.780]	[3.150]	[1.181]
160	162	155	133	106	100	20
165	[6.378]	[6.102]	[5.236]	[4.173]	[3.937]	[0.787]



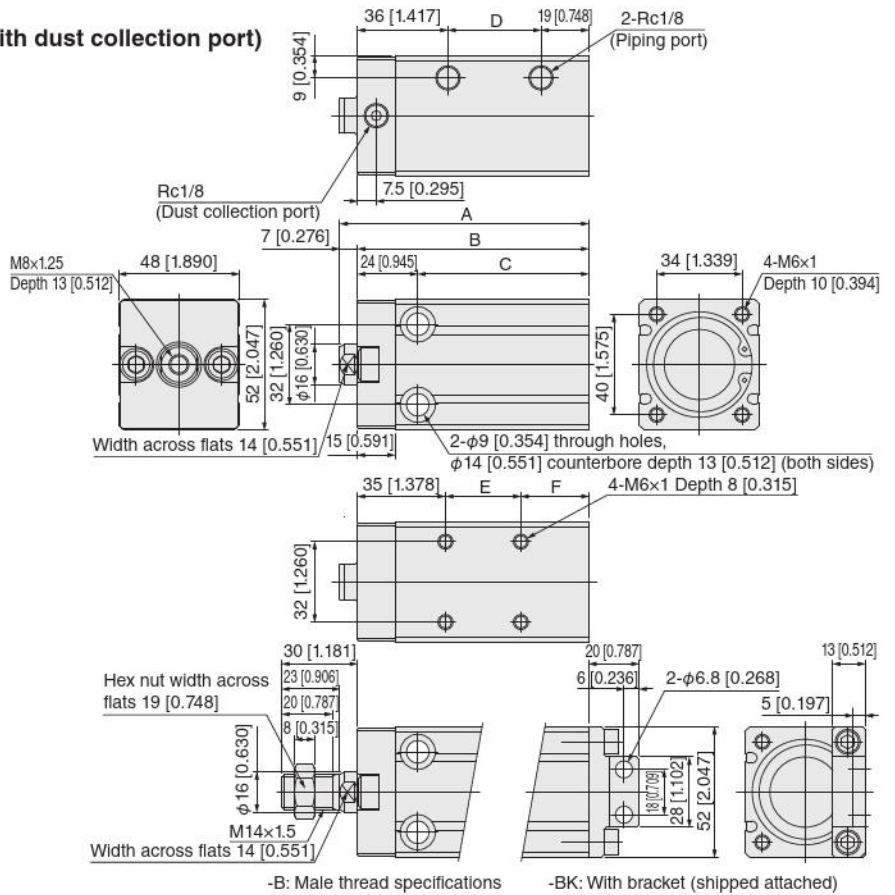
-B: Male thread specifications -BK: With bracket (shipped attached)

# Double acting clean system compatible cylinder dimensions (mm [in.])

Dimensions of without dust collection port types are the same as those for the standard specification. Refer to page 35.

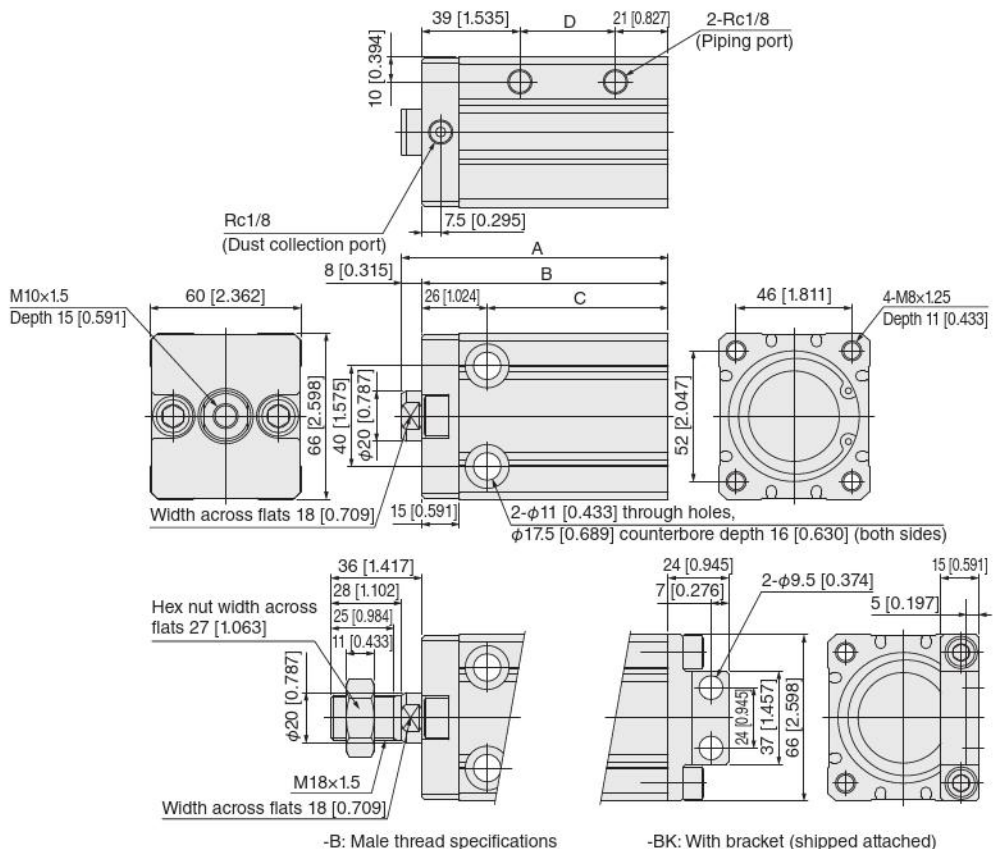
## CS-BC40 (clean room specification, with dust collection port)

Stroke	A	B	C	D	E	F
10	79 [3.110]	72 [2.835]	48 [1.890]	17 [0.669]	15 [0.591]	27 [1.063]
15	84 [3.307]	77 [3.031]	53 [2.087]	22 [0.866]	15 [0.591]	32 [1.260]
20	89 [3.504]	82 [3.228]	58 [2.283]	27 [1.063]	20 [0.787]	37 [1.457]
25	94 [3.701]	87 [3.425]	63 [2.480]	32 [1.260]	20 [0.787]	42 [1.654]
30	99 [3.898]	92 [3.622]	68 [2.677]	37 [1.457]	30 [1.181]	47 [1.850]
35	104 [4.094]	97 [3.819]	73 [2.874]	42 [1.654]	30 [1.181]	52 [2.047]
40	109 [4.291]	102 [4.016]	78 [3.071]	47 [1.850]	40 [1.575]	57 [2.244]
45	114 [4.488]	107 [4.213]	83 [3.268]	52 [2.047]	40 [1.575]	62 [2.441]
50	119 [4.685]	112 [4.409]	88 [3.465]	57 [2.244]	50 [1.969]	67 [2.638]
55	124 [4.882]	117 [4.606]	93 [3.661]	62 [2.441]	50 [1.969]	72 [2.835]
60	129 [5.079]	122 [4.803]	98 [3.858]	67 [2.638]	60 [2.362]	77 [3.031]
70	139 [5.472]	132 [5.197]	108 [4.252]	77 [3.031]	70 [2.756]	87 [3.425]
75	144 [5.669]	137 [5.394]	113 [4.449]	82 [3.228]	70 [2.756]	92 [3.622]
80	149 [5.866]	142 [5.591]	118 [4.646]	87 [3.425]	80 [3.150]	97 [3.819]
90	159 [6.260]	152 [5.984]	128 [5.039]	97 [3.819]	80 [3.150]	107 [4.213]
100	169 [6.654]	162 [6.378]	138 [5.433]	107 [4.213]	100 [3.937]	117 [4.606]



## CS-BC50 (clean room specification, with dust collection port)

Stroke	A	B	C	D
10	86 [3.386]	78 [3.071]	52 [2.047]	18 [0.709]
15	91 [3.583]	83 [3.268]	57 [2.244]	23 [0.906]
20	96 [3.780]	88 [3.465]	62 [2.441]	28 [1.102]
25	101 [3.976]	93 [3.661]	67 [2.638]	33 [1.299]
30	106 [4.173]	98 [3.858]	72 [2.835]	38 [1.496]
35	111 [4.370]	103 [4.055]	77 [3.031]	43 [1.693]
40	116 [4.567]	108 [4.252]	82 [3.228]	48 [1.890]
45	121 [4.764]	113 [4.449]	87 [3.425]	53 [2.087]
50	126 [4.961]	118 [4.646]	92 [3.622]	58 [2.283]
55	131 [5.157]	123 [4.843]	97 [3.819]	63 [2.480]
60	136 [5.354]	128 [5.039]	102 [4.016]	68 [2.677]
70	146 [5.748]	138 [5.433]	112 [4.409]	78 [3.071]
75	151 [5.945]	143 [5.630]	117 [4.606]	83 [3.268]
80	156 [6.142]	148 [5.827]	122 [4.803]	88 [3.465]
90	166 [6.535]	158 [6.220]	132 [5.197]	98 [3.858]
100	176 [6.929]	168 [6.614]	142 [5.591]	108 [4.252]

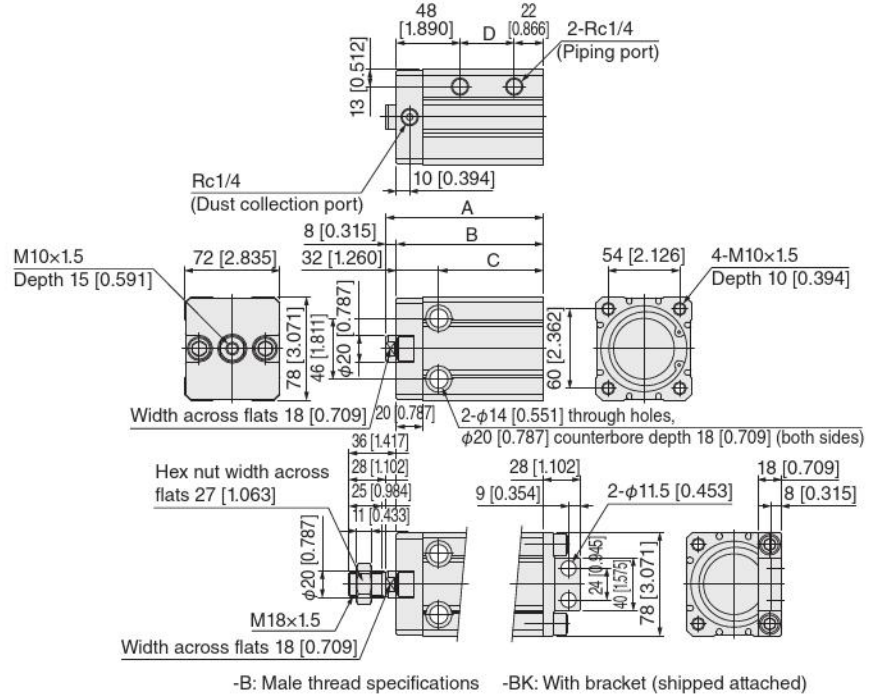


## Double acting clean system compatible cylinder dimensions (mm [in.])

Dimensions of without dust collection port types are the same as those for the standard specification. Refer to page 36.

### ● CS-BC63 (clean room specification, with dust collection port)

Stroke	A	B	C	D
10	99 [3.898]	91 [3.583]	59 [2.323]	21 [0.827]
15	104 [4.094]	96 [3.780]	64 [2.520]	26 [1.024]
20	109 [4.291]	101 [3.976]	69 [2.717]	31 [1.220]
25	114 [4.488]	106 [4.173]	74 [2.913]	36 [1.417]
30	119 [4.685]	111 [4.370]	79 [3.110]	41 [1.614]
35	124 [4.882]	116 [4.567]	84 [3.307]	46 [1.811]
40	129 [5.079]	121 [4.764]	89 [3.504]	51 [2.008]
45	134 [5.276]	126 [4.961]	94 [3.701]	56 [2.205]
50	139 [5.472]	131 [5.157]	99 [3.898]	61 [2.402]
55	144 [5.669]	136 [5.354]	104 [4.094]	66 [2.598]
60	149 [5.866]	141 [5.551]	109 [4.291]	71 [2.795]
70	159 [6.260]	151 [5.945]	119 [4.685]	81 [3.189]
75	164 [6.457]	156 [6.142]	124 [4.882]	86 [3.386]
80	169 [6.654]	161 [6.339]	129 [5.079]	91 [3.583]
90	179 [7.047]	171 [6.732]	139 [5.472]	101 [3.976]
100	189 [7.441]	181 [7.126]	149 [5.866]	111 [4.370]



# Bracket

## Order codes for brackets only

**BCZ-BK**

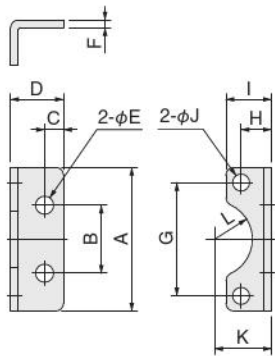
**Cylinder bore**

10: For  $\phi 10$     40: For  $\phi 40$   
 12: For  $\phi 12$     50: For  $\phi 50$   
 16: For  $\phi 16$     63: For  $\phi 63$   
 20: For  $\phi 20$     80: For  $\phi 80$   
 25: For  $\phi 25$     100: For  $\phi 100$   
 32: For  $\phi 32$     125: For  $\phi 125$

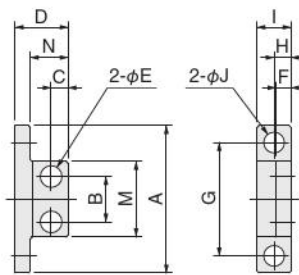
Note: Cannot be mounted on cylinders with guides (BCG□).

## Bracket dimensions (mm)

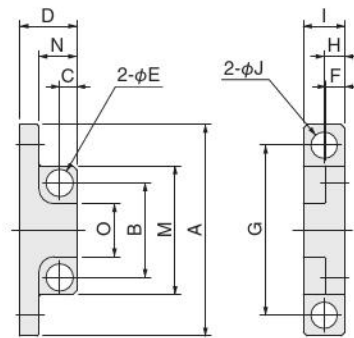
### ● $\phi 10$ to $\phi 32$



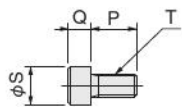
### ● $\phi 40$ to $\phi 80$



### ● $\phi 100$ to $\phi 125$



### ● Mounting bolt (2)



Material: Stainless steel (only M16 is steel)

Bore	Symbol	A	B	C	D	E	F	G	H	I	J	K	L	M	N	O	P	Q	S	T	Materials	Mass (g)
10		22	16	3	10	3.8	1	16	7	9.3	3.4	8	R5	-	-	-	5	3	4.5	M3x0.5	Stainless steel	4
12		26	14	4	13	4.8	1	19	8	11	4.5	8	R5	-	-	-	4	4	5.5	M4x0.7	Stainless steel	6
16		28	14	4	13	4.8	1.5	22	7	10	3.5	11	R7	-	-	-	5	3	5.5	M3x0.5	Stainless steel	7
20		34	14	4	13	4.8	2	26	8	12	4.5	13	R8	-	-	-	8	4	7	M4x0.7	Stainless steel	12
25		38	18	5	14	4.8	2	30	8	12	4.5	15	R10	-	-	-	8	4	7	M4x0.7	Stainless steel	14
32		48	22	6	18	5.8	2	38	8	13	5.5	19	R12	-	-	-	8	5	8.5	M5x0.8	Stainless steel	24
40		52	18	6	20	6.8	5	40	7	13	6.5	-	-	28	14	-	12	6	10	M6x1	Aluminum alloy	25
50		66	24	7	24	9.5	5	52	7	15	9	-	-	37	18	-	12	8	13	M8x1.25	Aluminum alloy	45
63		78	24	9	28	11.5	8	60	9	18	11	-	-	40	20	-	16	10	16	M10x1.5	Aluminum alloy	80
80		90	30	10	36	14.5	8	70	10	20	14	-	-	48	28	-	20	12	18	M12x1.75	Aluminum alloy	128
100		112	50	9	30	14.5	10	90	11	22	14	-	-	68	20	28	20	12	18	M12x1.75	Aluminum alloy	167
125		140	58	14	42	18.5	14	110	15	30	18	-	-	82	30	30	35	16	24	M16x2	Aluminum alloy	410

Note: Mass includes mass of 2 supplied bolts

# Bracket

## Order codes for brackets only

BCZ-BK

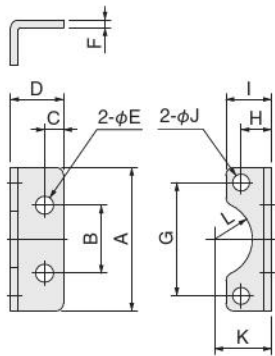
**Cylinder bore**

10: For  $\phi 0.394$     40: For  $\phi 1.575$   
 12: For  $\phi 0.472$     50: For  $\phi 1.969$   
 16: For  $\phi 0.630$     63: For  $\phi 2.480$   
 10: For  $\phi 0.394$     40: For  $\phi 1.575$   
 25: For  $\phi 0.984$     100: For  $\phi 3.937$   
 32: For  $\phi 1.260$     125: For  $\phi 4.921$

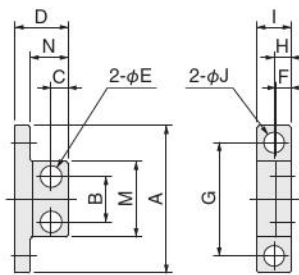
Note: Cannot be mounted on cylinders with guides (BCG□).

## Bracket dimensions (in.)

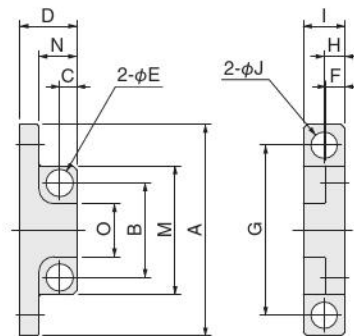
●  $\phi 0.394$  to  $\phi 1.260$



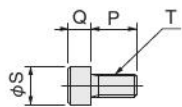
●  $\phi 1.575$  to  $\phi 3.150$



●  $\phi 3.937$  to  $\phi 4.921$



● Mounting bolt (2)



Material: Stainless steel (only M16 is steel)

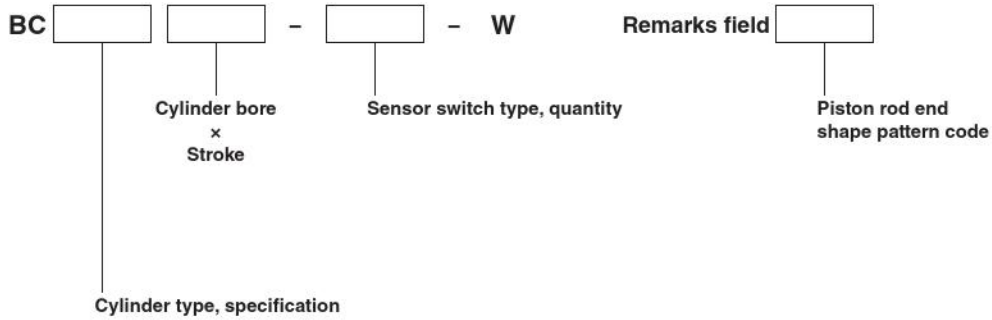
Bore	Symbol	A	B	C	D	E	F	G	H	I	J	K	L	M	N	O	P	Q	S	T	Materials	Mass (oz)
10		0.866	0.630	0.118	0.394	0.150	0.039	0.630	0.276	0.366	0.134	0.315	R0.197	-	-	-	0.197	0.118	0.177	M3×0.5	Stainless steel	0.14
12		1.024	0.551	0.157	0.512	0.189	0.039	0.748	0.315	0.433	0.177	0.315	R0.197	-	-	-	0.157	0.157	0.217	M4×0.7	Stainless steel	0.21
16		1.102	0.551	0.157	0.512	0.189	0.059	0.866	0.276	0.394	0.138	0.433	R0.276	-	-	-	0.197	0.118	0.217	M3×0.5	Stainless steel	0.25
20		1.339	0.551	0.157	0.512	0.189	0.079	1.024	0.315	0.472	0.177	0.512	R0.315	-	-	-	0.315	0.157	0.276	M4×0.7	Stainless steel	0.42
25		1.496	0.709	0.197	0.551	0.189	0.079	1.181	0.315	0.472	0.177	0.591	R0.394	-	-	-	0.315	0.157	0.276	M4×0.7	Stainless steel	0.49
32		1.890	0.866	0.236	0.709	0.228	0.079	1.496	0.315	0.512	0.217	0.748	R0.472	-	-	-	0.315	0.197	0.335	M5×0.8	Stainless steel	0.85
40		2.047	0.709	0.236	0.787	0.268	0.197	1.575	0.276	0.512	0.256	-	-	1.102	0.551	-	0.472	0.236	0.394	M6×1	Aluminum alloy	0.88
50		2.598	0.945	0.276	0.945	0.374	0.197	2.047	0.276	0.591	0.354	-	-	1.457	0.709	-	0.472	0.315	0.512	M8×1.25	Aluminum alloy	1.59
63		3.071	0.945	0.354	1.102	0.453	0.315	2.362	0.354	0.709	0.433	-	-	1.575	0.787	-	0.630	0.394	0.630	M10×1.5	Aluminum alloy	2.82
80		3.543	1.181	0.394	1.417	0.571	0.315	2.756	0.394	0.787	0.551	-	-	1.890	1.102	-	0.787	0.472	0.709	M12×1.75	Aluminum alloy	4.51
100		4.409	1.969	0.354	1.181	0.571	0.394	3.543	0.433	0.866	0.551	-	-	2.677	0.787	1.102	0.787	0.472	0.709	M12×1.75	Aluminum alloy	5.89
125		5.512	2.283	0.551	1.654	0.728	0.551	4.331	0.591	1.181	0.709	-	-	3.228	1.181	1.181	1.378	0.630	0.945	M16×2	Aluminum alloy	14.46

Note: Mass includes mass of 2 supplied bolts

# Piston rod end shape pattern diagrams

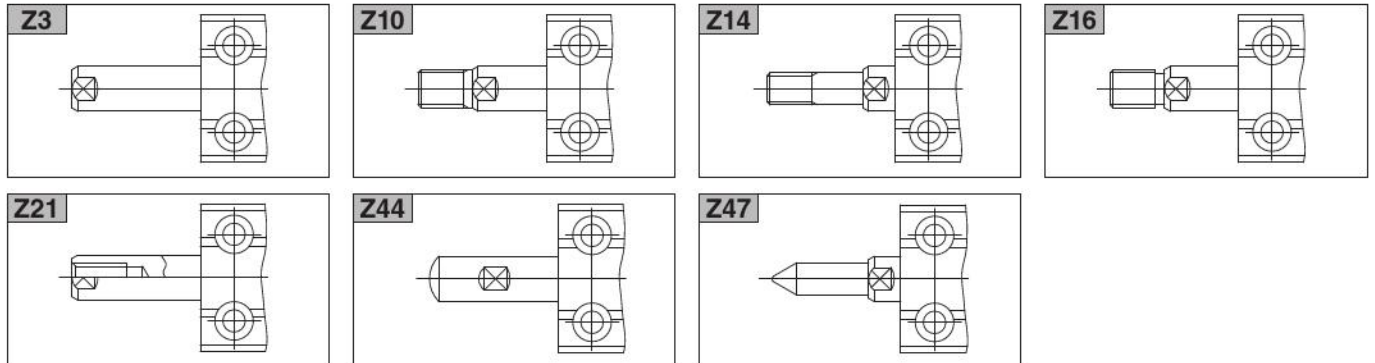
There are seven patternized piston rod end shapes. A non-standard end shaped cylinder can be order made by simply filling in the items on the order that has the required shape drawn on it. This applies to all types of basic cylinders. Contact Koganei for order forms with pattern shaped drawn on them.

## Order code example



Note: For clean room specifications, **CS-** or **CSL-** is appended before **BC**. For details, see the pages for the corresponding order codes.

## Piston rod end shape pattern diagrams (7 types)



# Additional Parts

Note 1:  $\phi 6$  [0.236],  $\phi 8$  [0.315], and  $\phi 10$  [0.394] cannot be disassembled.

2: Be careful that the steel balls do not fall out from the linear guide when doing maintenance on cylinders with guides.

## ● Packing set for double acting type (including models with guides)

**BCZ-PK-**  (For standard specification)

### Cylinder bore

**12:** For BC12, BCG(N)12  
**16:** For BC16, BCG(N)16  
**20:** For BC20, BCG(N)20  
**25:** For BC25, BCG(N)25  
**32:** For BC32, BCG(N)32  
**40:** For BC40, BCG(N)40  
**50:** For BC50  
**63:** For BC63  
**80:** For BC80  
**100:** For BC100  
**125:** For BC125

\* 1 rod packing, 1 piston packing, 1 o-ring, and 1 retaining ring

**BCZ-PK-R-**  (For corrosion resistant, clean room specifications)

### Cylinder bore

**12:** For BCR12, CS(L)-BC12, BCG(N)R12, CSL-BCG(N)12  
**16:** For BCR16, CS(L)-BC16, BCG(N)R16, CSL-BCG(N)16  
**20:** For BCR20, CS(L)-BC20, BCG(N)R20, CSL-BCG(N)20  
**25:** For BCR25, CS(L)-BC25, BCG(N)R25, CSL-BCG(N)25  
**32:** For BCR32, CS(L)-BC32, BCG(N)R32, CSL-BCG(N)32  
**40:** For BCR40, CS(L)-BC40, BCG(N)R40, CSL-BCG(N)40  
**50:** For BCR50, CS(L)-BC50  
**63:** For BCR63, CS(L)-BC63  
**80:** For BCR80  
**100:** For BCR100  
**125:** For BCR125

\* 1 rod packing, 1 piston packing, 1 o-ring, and 1 retaining ring

**BCZ-PK-F-**  (For heat resistant specification)

### Cylinder bore

**12:** For BCF12, BCG(N)F12  
**16:** For BCF16, BCG(N)F16  
**20:** For BCF20, BCG(N)F20  
**25:** For BCF25, BCG(N)F25  
**32:** For BCF32, BCG(N)F32  
**40:** For BCF40, BCG(N)F40  
**50:** For BCF50  
**63:** For BCF63  
**80:** For BCF80  
**100:** For BCF100  
**125:** For BCF125

\* 1 rod packing, 1 piston packing, 1 o-ring, and 1 retaining ring

**BCZ-PK-Y-**  (For scraper specification)

### Cylinder bore

**12:** For BCY12  
**16:** For BCY16  
**20:** For BCY20  
**25:** For BCY25  
**32:** For BCY32  
**40:** For BCY40  
**50:** For BCY50  
**63:** For BCY63  
**80:** For BCY80  
**100:** For BCY100  
**125:** For BCY125

\* 1 rod packing, 1 piston packing, 1 o-ring, 1 scraper, and 1 retaining ring

## ● Grease (30 g [1.06 oz])

**GR-HA-030** (For standard, corrosion resistant, scraper specifications) (H1-compatible grease)

**GR-FA-030** (For clean room specification) (H1-compatible grease)

**GR-FB-030** (For heat resistant specification)

\* 30 g [1.06 oz] of NSF H1-certified grease contained

Note: If you purchase a packing set and perform disassembly and reassembly, use this grease.

\* Guideline for the amount of grease to use (for a single 30-stroke model)

BC20: 2 g [0.07 oz]

BC63: 4 g [0.14 oz]

BC125: 10 g [0.35 oz]



Products that have been disassembled and reassembled are not covered by the warranty.

# Additional Parts

Note:  $\phi 6$  [0.236],  $\phi 8$  [0.315], and  $\phi 10$  [0.394] cannot be disassembled.

## ● Packing set for double acting double rod end type

**BCZ-PK-D**  (For standard specification)    **BCZ-PK-R-D**  (For corrosion resistant specification)

**Cylinder bore**  
 12: For BCD12  
 16: For BCD16  
 20: For BCD20  
 25: For BCD25  
 32: For BCD32  
 40: For BCD40  
 50: For BCD50  
 63: For BCD63  
 80: For BCD80  
 100: For BCD100  
 125: For BCD125

**Cylinder bore**  
 12: For BCDR12  
 16: For BCDR16  
 20: For BCDR20  
 25: For BCDR25  
 32: For BCDR32  
 40: For BCDR40  
 50: For BCDR50  
 63: For BCDR63  
 80: For BCDR80  
 100: For BCDR100  
 125: For BCDR125

\* 2 rod packings, 1 piston packing, 1 o-ring, and 1 retaining ring

## ● Packing set for single acting pull and pull type

**BCZ-PK-S**  (For standard specification)    **BCZ-PK-R-S**  (For corrosion resistant specification)

**Cylinder bore**  
 12: For BCSA12, BCTA12  
 16: For BCSA16, BCTA16  
 20: For BCSA20, BCTA20  
 25: For BCSA25, BCTA25  
 32: For BCSA32, BCTA32  
 40: For BCSA40, BCTA40  
 50: For BCSA50, BCTA50

**Cylinder bore**  
 12: For BCSAR12, BCTAR12  
 16: For BCSAR16, BCTAR16  
 20: For BCSAR20, BCTAR20  
 25: For BCSAR25, BCTAR25  
 32: For BCSAR32, BCTAR32  
 40: For BCSAR40, BCTAR40  
 50: For BCSAR50, BCTAR50

\* 1 rod packing, 1 piston packing, 1 o-ring, 1 retaining ring, and 1 spring

## ● Piping port plugs for cylinders with guides

**BCZ-PM**  (For standard, corrosion resistant, clean room specifications)

**Thread size**  
 3: For M3 (For BCG(N)8, BCG(N)R8, CSL-BCG(N)8)  
 5: For M5 (For BCG(N)12, BCG(N)R12, CSL-BCG(N)12, BCG(N)16, BCG(N)R16, CSL-BCG(N)16, BCG(N)20, BCG(N)R20, CSL-BCG(N)20, BCG(N)25, BCG(N)R25, CSL-BCG(N)25)



\* 4 plugs assembled with o-rings in each bag

**BCZ-F-PM**  (For heat resistant specification)

**Thread size**  
 3: For M3 (For BCG(N)F8)  
 5: For M5 (For BCG(N)F12, BCG(N)F16, BCG(N)F20, BCG(N)F25)

## ● Back side piping block for cylinders with guides

**BCZ-BP**  (For standard specification)    **BCZ-R-BP**  (For corrosion resistant, clean room specifications)

**Cylinder bore**  
 32: For BCG(N)32  
 40: For BCG(N)40

**Cylinder bore**  
 32: For BCG(N)R32, CSL-BCG(N)32  
 40: For BCG(N)R40, CSL-BCG(N)40



\* 1 back side piping block with press fitted steel balls  
 1 each of two types of o-rings,  
 2 mounting bolts

**BCZ-F-BP**  (For heat resistant specification)

**Cylinder bore**  
 32: For BCG(N)F32  
 40: For BCG(N)F40

Products that have been disassembled and reassembled are not covered by the warranty.

# Sensor switches

## Solid state type, reed switch type

### ● Robot cable is standard equipment

Lead wire flexibility is excellent because the conductor used is the same as for robot cables.

## Specifications

### ● Solid State Type

Item	Model	ZE135□	ZE155□	ZE175□	ZE235□	ZE255□	ZE275□
Wiring method		2-lead wire	3-lead wire with NPN output	3-lead wire with PNP output	2-lead wire	3-lead wire with NPN output	3-lead wire with PNP output
Lead wire direction		Horizontal			Vertical		
Power supply voltage		–	4.5 to 28 VDC		–	4.5 to 28 VDC	
Load voltage		10 to 28 VDC	4.5 to 28 VDC		10 to 28 VDC	4.5 to 28 VDC	
Load current		2.5 to 20 mA (at 25°C [77°F], and 10 mA at 60°C [140°F])	40mA MAX.		2.5 to 20 mA (at 25°C [77°F], and 10 mA at 60°C [140°F])	40mA MAX.	
Consumption current		–	8mA MAX. (DC24V)	10mA MAX. (DC24V)	–	8mA MAX. (DC24V)	10mA MAX. (DC24V)
Internal voltage drop <sup>Note 1</sup>		4V MAX.	2V max. (0.8 V max if load is less than 10 mA)		4V MAX.	2V max. (0.8 V max if load is less than 10 mA)	
Leakage current		0.7mA MAX. (DC24V,25°C [77°F])	50 μA MAX. (24 VDC)		0.7mA MAX. (DC24V,25°C [77°F])	50 μA MAX. (24 VDC)	
Response time		1ms MAX.					
Insulation resistance		100 MΩ min. (at 500 VDC megger, between case and lead wire terminal)					
Dielectric strength		500 VAC (50/60 Hz) 1 minute (between case and lead wire terminal)					
Shock resistance <sup>Note 2</sup>		294.2 m/s <sup>2</sup> [30 G] (non-repeated)					
Vibration resistance <sup>Note 2</sup>		88.3 m/s <sup>2</sup> [9 G] (total amplitude of 1.5 mm [0.059 in.], 10 to 55 Hz)					
Protection from environment		IP67 (IEC standard), JIS C0920 (watertight type)					
Operation indicators		Red LED indicator lit when on					
Lead wires		PCCV0.2SQ x 2-lead (brown and blue) x ℓ <sup>Note 3</sup>	PCCV0.15SQ x 3-lead (brown, blue, and black) x ℓ <sup>Note 3</sup>		PCCV0.2SQ x 2-lead (brown and blue) x ℓ <sup>Note 3</sup>	PCCV0.15SQ x 3-lead (brown, blue, and black) x ℓ <sup>Note 3</sup>	
Ambient temperature		0° to 60°C [32 to 140°F]					
Storage temperature range		–10° to 70°C [14 to 158°F]					
Mass		15 g [0.53 oz] (for lead wire length A: 1000 mm [39.370 in.]), 35 g [1.23 oz] (for lead wire length B: 3000 mm [118.1 in.]), 15 g [0.53 oz] (for lead wire length 30 mm [1.181 in.] with M8 connector)					

Note 1: Internal voltage drop changes with the load current.

2: According to Koganei test standards.

3: Lead wire length ℓ: A; 1000 mm [39.370 in.], B; 3000 mm [118.1 in.], G; 300 mm [11.811 in.] with M8 connector only on the ZE175□, ZE275□

### ● Reed Switch Type

Item	Model	ZE101□	ZE102□	ZE201□	ZE202□
Wiring method		2-lead wire			
Lead wire direction		Horizontal		Vertical	
Load voltage		5 to 28 VDC	85 to 115 VAC (r.m.s)	5 to 28 VDC	85 to 115 VAC (r.m.s)
Load current		40mA MAX.	20mA MAX.	5 to 40 mA	5 to 20 mA
Internal voltage drop <sup>Note 1</sup>		0.1V max. (for load current of 40 mA DC)		3.0V MAX.	
Leakage current		0mA			
Response time		1ms MAX.			
Insulation resistance		100 MΩ min. (at 500 VDC megger, between case and lead wire terminal)			
Dielectric strength		1500 VAC (50/60 Hz) 1 minute (between case and lead wire terminal)			
Shock resistance <sup>Note 2</sup>		294.2 m/s <sup>2</sup> [30 G] (non-repeated)			
Vibration resistance <sup>Note 2</sup>		88.3 m/s <sup>2</sup> [9 G] (total amplitude of 1.5 mm [0.059 in.], 10 to 55 Hz), resonance frequency 2570 ±250 Hz			
Protection from environment		IP67 (IEC standard), JIS C0920 (watertight type)			
Operation indicators		None	Red LED indicator lit when on	None	Red LED indicator lit when on
Lead wires		PCCV0.2SQ x 2-lead (brown and blue) x ℓ <sup>Note 3</sup>			
Ambient temperature		0° to 60°C [32 to 140°F]			
Storage temperature range		–10° to 70°C [14 to 158°F]			
Contact protection measure		Required (see page 93 under contact protection.)			
Mass		15 g [0.53 oz] (for lead wire length A: 1000 mm [39.370 in.]), 35 g [1.23 oz] (for lead wire length B: 3000 mm [118.1 in.])			

Note 1: Internal voltage drop changes with the load current.

2: According to Koganei test standards.

3: Lead wire length ℓ: A; 1000 mm [39.370 in.], B; 3000 mm [118.1 in.]

# Sensor switches

## Two-color LED solid state type

### ● Robot cable is standard equipment

Lead wire flexibility is excellent because the conductor used is the same as for robot cables.

## Specifications

### ● Two-color LED solid state type

Item	Model	ZE137□	ZE157□	ZE177□	ZE237□	ZE257□	ZE277□
Wiring method		2-lead wire	3-lead wire with NPN output	3-lead wire with PNP output	2-lead wire	3-lead wire with NPN output	3-lead wire with PNP output
Lead wire direction		Horizontal			Vertical		
Power supply voltage		—	4.5 to 28 VDC		—	4.5 to 28 VDC	
Load voltage		DC10 to 28V	4.5 to 28 VDC		DC10 to 28V	4.5 to 28 VDC	
Load current		2.5 to 20 mA (at 25°C [77°F], and 10 mA at 60°C [140°F])	40mA MAX.		2.5 to 20 mA (at 25°C [77°F], and 10 mA at 60°C [140°F])	40mA MAX.	
Consumption current		—	8mA MAX. (DC24V)	10mA MAX. (DC24V)	—	8mA MAX. (DC24V)	10mA MAX. (DC24V)
Internal voltage drop <sup>Note 1</sup>		4V MAX.	2V max. (0.8 V max if load is less than 10 mA)		4V MAX.	2V max. (0.8 V max if load is less than 10 mA)	
Leakage current		0.7 mA MAX. (24 VDC, 25°C [77°F])	50 μA MAX. (24 VDC)		0.7 mA MAX. (24 VDC, 25°C [77°F])	50 μA MAX. (24 VDC)	
Response time		1ms MAX.					
Insulation resistance		100 MΩ min. (at 500 VDC megger, between case and lead wire terminal)					
Dielectric strength		500 VAC (50/60 Hz) 1 minute (between case and lead wire terminal)					
Shock resistance <sup>Note 2</sup>		294.2 m/s <sup>2</sup> [30 G] (non-repeated)					
Vibration resistance <sup>Note 2</sup>		88.3 m/s <sup>2</sup> [9 G] (total amplitude of 1.5 mm [0.059 in.], 10 to 55 Hz)					
Protection from environment		IP67 (IEC standard), JIS C0920 (watertight type)					
Operation indicators		Appropriate operation range: Green LED indicator lit when on, operation range: Red LED indicator lit when on					
Lead wires		PCCV0.2SQ x 2-lead (brown and blue) x ℓ <sup>Note 3</sup>	PCCV0.15SQ x 3-lead (brown, blue, and black) x ℓ <sup>Note 3</sup>		PCCV0.2SQ x 2-lead (brown and blue) x ℓ <sup>Note 3</sup>	PCCV0.15SQ x 3-lead (brown, blue, and black) x ℓ <sup>Note 3</sup>	
Ambient temperature		0° to 60°C [32 to 140°F]					
Storage temperature range		-10° to 70°C [14 to 158°F]					
Mass		15 g [0.53 oz] (for lead wire length A: 1000 mm [39.370 in.]), 35 g [1.23 oz] (for lead wire length B: 3000 mm [118.1 in.]), 15 g [0.53 oz] (for lead wire length 300 mm [11.811 in.] with M8 connector)					

Note 1: Internal voltage drop changes with the load current.

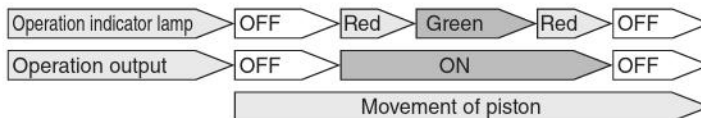
2: According to Koganei test standards.

3: Lead wire length ℓ: A; 1000 mm [39.370 in.], B; 3000 mm [118.1 in.], G; 300 mm [11.811 in.] with M8 connector only on the ZE177□, ZE277□

## Operation

### ● Explanation of operation of two-color LED solid state type

ZE137□, ZE157□, ZE177□, ZE237□, ZE257□, ZE277□

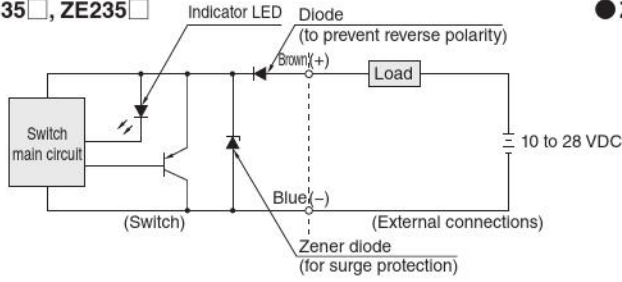


Note: The operating output may become unstable, due to the effects of the operating and installation environments, even if the appropriate operating range (green LED indicator lit) is fixed.

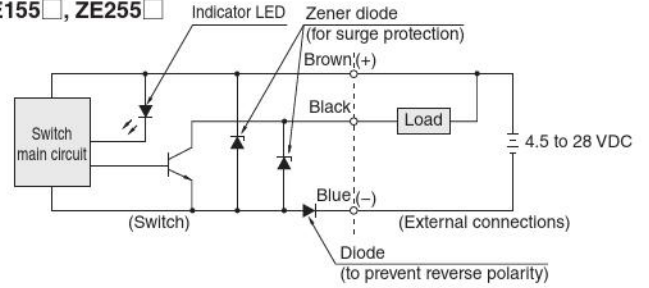
# Diagram of inner circuits

## ● Solid State Type

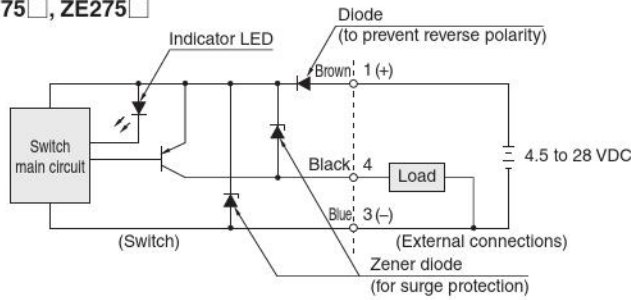
### ● ZE135□, ZE235□



### ● ZE155□, ZE255□

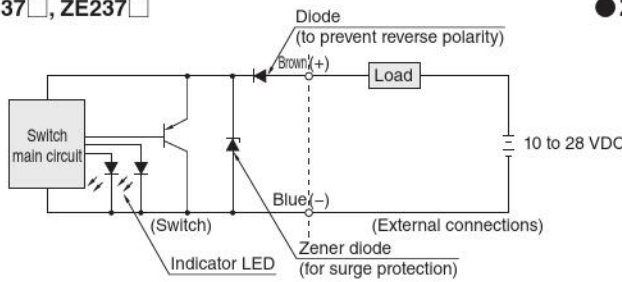


### ● ZE175□, ZE275□

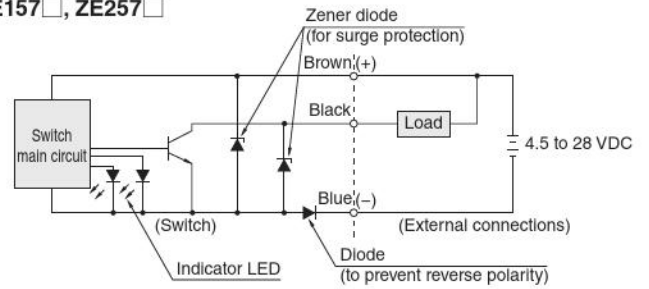


## ● Two-color LED Solid State Type

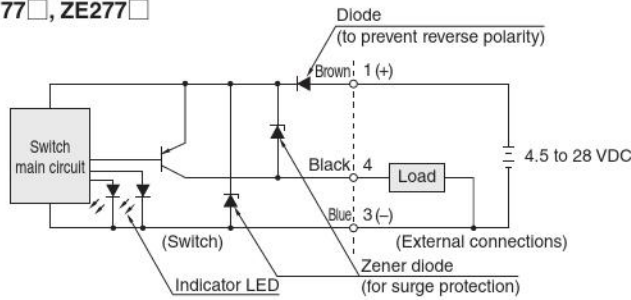
### ● ZE137□, ZE237□



### ● ZE157□, ZE257□

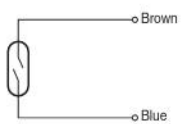


### ● ZE177□, ZE277□

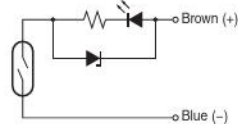


## ● Reed Switch Type

### ● ZE101□, ZE201□



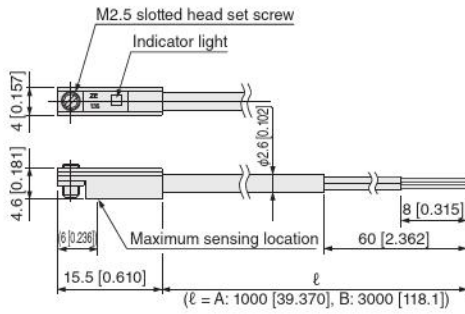
### ● ZE102□, ZE202□



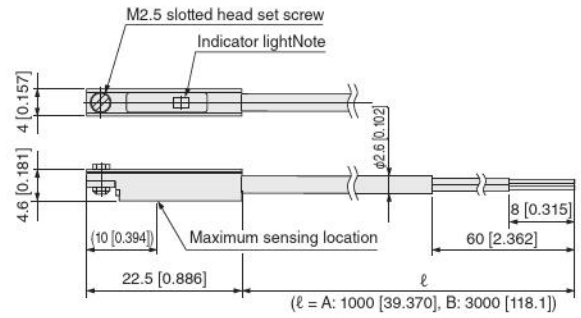
# Sensor Switch Dimensions (mm [in.])

## ● Horizontal lead wire

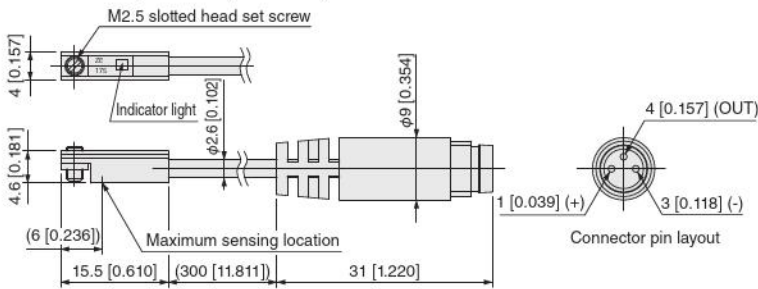
● Solid state (ZE135□, ZE155□, ZE175□, ZE137□, ZE157□, ZE177□)



● Reed switch (ZE101□, ZE102□)



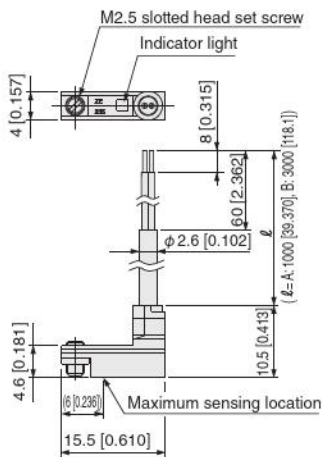
● Solid state (ZE175G, ZE177G)



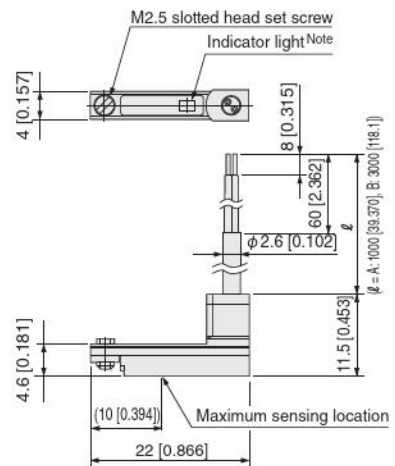
Note: Not available with the ZE101□.

## ● Vertical lead wire

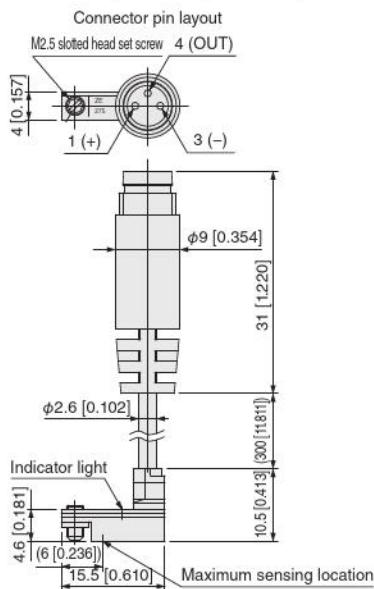
● Solid state (ZE235□, ZE255□, ZE275□, ZE237□, ZE257□, ZE277□)



● Reed switch (ZE201□, ZE202□)



● Solid state (ZE275G, ZE277G)

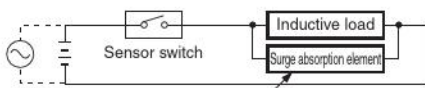


Note: Not available with the ZE201□.

# Contact Protection for Reed Sensor Switch

In order to use the reed sensor switch safely, take the contact protection measures listed below.

## ● For connecting an inductive load (electromagnetic relay)



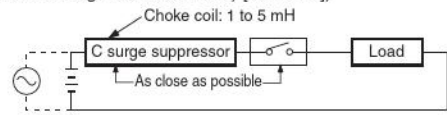
For DC: Diode or CR, etc.

For AC: CR etc.

Diode: Forward current should be more than the circuit current, and for reverse direction, dielectric strength should be 10 times greater or more than the circuit voltage.

## ● For capacitive surges

(When the lead wire length exceeds 10 m) [32.808 ft])



C: 0.01 to 0.1 $\mu$ F  
R: 1 to 4k $\Omega$

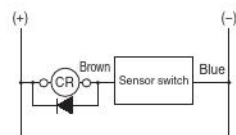
# Wiring instructions for the solid state sensor switches

## ● 2-lead wire

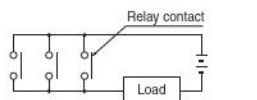
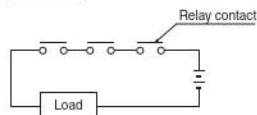
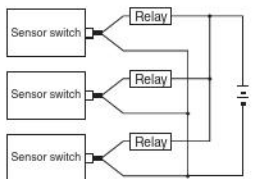
### ● Basic connection



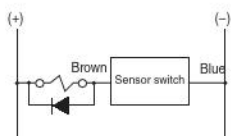
### ● Connection to relays



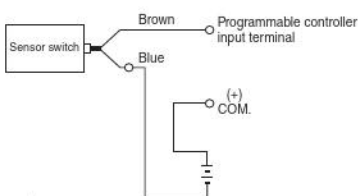
AND (series) connection and OR (parallel) connection



### ● Connection to solenoid valve

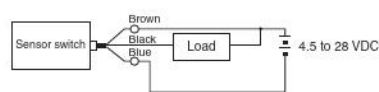


### ● Connection to programmable controller

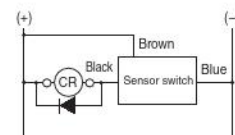


## ● 3-lead wire with NPN output type

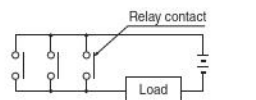
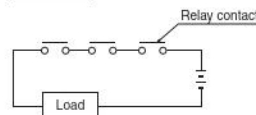
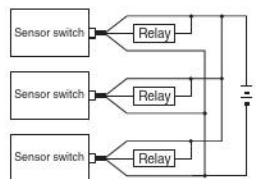
### ● Basic connection



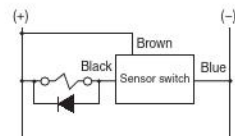
### ● Connection to relays



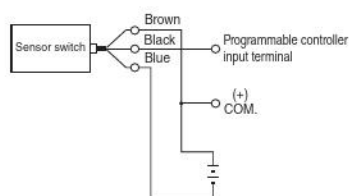
AND (series) connection and OR (parallel) connection



### ● Connection to solenoid valve

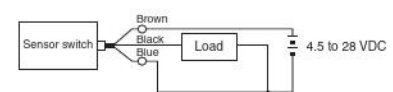


### ● Connection to programmable controller

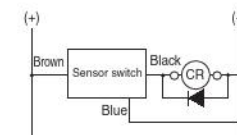


## ● 3-lead wire with PNP output type

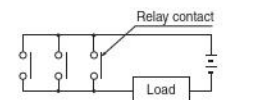
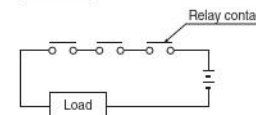
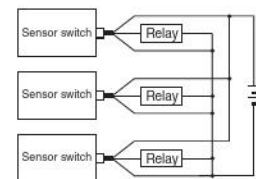
### ● Basic connection



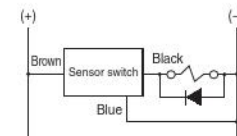
### ● Connection to relays



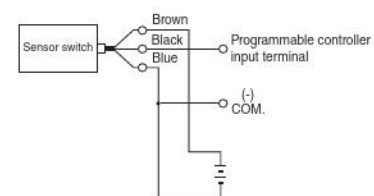
AND (series) connection and OR (parallel) connection



### ● Connection to solenoid valve



### ● Connection to programmable controller

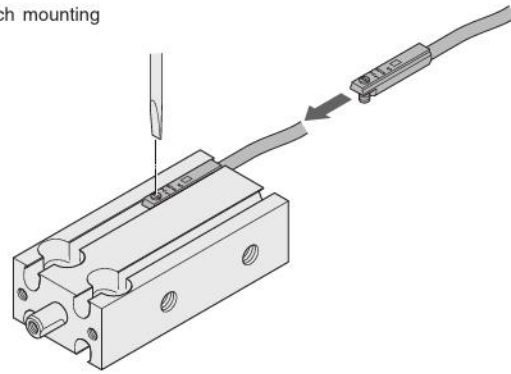


1. Connect the lead wires according to their color. Incorrect wiring will cause damage to the sensor switch.
2. The use of a surge protection diode is recommended with the inductive load such as an electromagnetic relay.
3. Avoid the use of AND (series) connections because the circuit voltage will drop in proportion to the number of sensor switches.
4. When using an OR (parallel) connection, it is possible to connect sensor switch outputs directly (ex: using corresponding black lead wires). Be aware of load return errors since current leakage increases with the number of switches.

5. Because the sensor switches are magnetically sensitive, avoid using them in locations subject to strong external magnetic fields or bringing them in close proximity to power lines and areas where large electric currents are present. Also avoid using magnetic material for any parts used for mounting. It could result in erratic operation.
6. Do not excessively pull on or bend the lead wires.
7. Avoid using the switches in environments where chemicals or gas are present.
8. Consult the nearest Koganei sales office for use in environments subject to water or oil.

# Moving Sensor Switch

- Loosening the set screw allows the sensor switch to be moved along the switch mounting groove of the cylinder tube.
- The tightening torque for the set screw is 0.1 to 0.2 N·m [0.885 to 1.770 in-lbf].



## Sensor Switch Operating Range, Response Differential, and Maximum Sensing Location

### ● Operating range: $\ell$

The range from where the piston turns the sensor switch on and the point where the sensor switch is turned off as the piston travels in the same direction.

### ● Response differential: C

The distance between the point where the piston turns the sensor switch on and the point where the sensor switch is turned off as the piston travels in the opposite direction.

### ● Solid State Type (Reference Values)

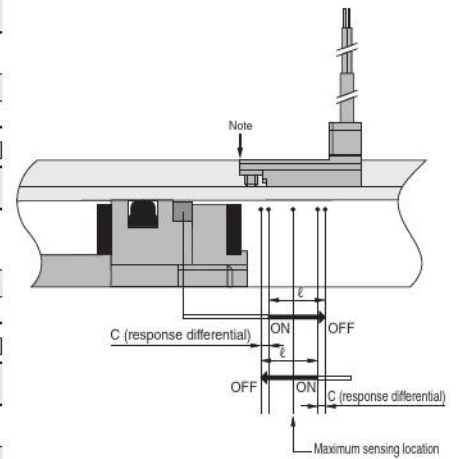
Item	mm [in.]													
Diameter	6	8	10	12	16	20	25	32	40	50	63	80	100	125
Operating range <sup>Note 1</sup> : $\ell$	1.5 to 5 [0.059 to 0.197]	2 to 5 [0.079 to 0.197]	2 to 5 [0.079 to 0.197]	2 to 5 [0.079 to 0.197]	2 to 5 [0.079 to 0.197]	2 to 6 [0.079 to 0.236]	2 to 6 [0.079 to 0.236]	2 to 6 [0.079 to 0.236]	3 to 7 [0.118 to 0.276]	3 to 7 [0.118 to 0.276]	3 to 7 [0.118 to 0.276]	3 to 11 [0.118 to 0.433]	3 to 11 [0.118 to 0.433]	3 to 11 [0.118 to 0.433]
Response differential: C	0.3 [0.012] or less													
Maximum sensing location <sup>Note 2</sup>	6 [0.236]													

### ● Reed Switch Type (Reference Values)

Item	mm [in.]									
Diameter	16	20	25	32	40	50	63	80	100	125
Operating range <sup>Note 1</sup> : $\ell$	3 to 9 [0.118 to 0.354]	4 to 12 [0.157 to 0.472]	4 to 12 [0.157 to 0.472]	4 to 12 [0.157 to 0.472]	6 to 14 [0.236 to 0.551]	6 to 14 [0.236 to 0.551]	7 to 18 [0.276 to 0.709]	7 to 18 [0.276 to 0.709]	8 to 19 [0.315 to 0.748]	8 to 24 [0.315 to 0.945]
Response differential: C	0.3 [0.012] or less									
Maximum sensing location <sup>Note 2</sup>	10 [0.394]									

### ● Two-color LED Solid State Type (Reference Values)

Item	mm [in.]													
Diameter	6	8	10	12	16	20	25	32	40	50	63	80	100	125
Operating range <sup>Note 1</sup> : $\ell$	1.5 to 5 [0.059 to 0.197]	2 to 5 [0.079 to 0.197]	2 to 5 [0.079 to 0.197]	2 to 5 [0.079 to 0.197]	2 to 5 [0.079 to 0.197]	2 to 6 [0.079 to 0.236]	2 to 6 [0.079 to 0.236]	2 to 6 [0.079 to 0.236]	3 to 8 [0.118 to 0.315]	3 to 8 [0.118 to 0.315]	4 to 12 [0.157 to 0.472]	4 to 12 [0.157 to 0.472]	5 to 12 [0.197 to 0.472]	5 to 12 [0.197 to 0.472]
Response differential: C	0.5 [0.020] or less													
Maximum sensing location <sup>Note 2</sup>	6 [0.236]													

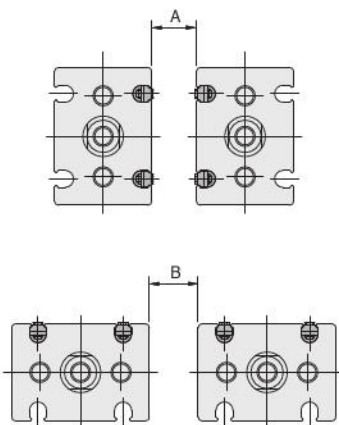


Note 1: When using two sensor switches with a stroke shorter than the operating range in the table above, note that overlap is more likely to occur.

Note 2: The value from the opposite end of the lead wire. (shown by arrow)

## When Mounting the Cylinders with Sensor Switches in Close Proximity

When using it connected to a cylinder, use under conditions using values greater than those shown in the table below.



Cylinder bore	mm [in.]	
	A	B
16 [0.630]	12 [0.472]	0
20 [0.787]		
25 [0.984]		
32 [1.260]		
40 [1.575]		
50 [1.969]		
63 [2.480]		
80 [3.150]		
100 [3.937]		
125 [4.921]		

Cylinder bore	mm [in.]	
	A	B
6 [0.236]	14 [0.551]	0
8 [0.315]		
10 [0.394]		
12 [0.472]		
16 [0.630]		
20 [0.787]		
25 [0.984]		
32 [1.260]		
40 [1.575]		
50 [1.969]		
63 [2.480]		
80 [3.150]		
100 [3.937]		
125 [4.921]		

Cylinder bore	mm [in.]	
	A	B
6 [0.236]	23 [0.906]	0
8 [0.315]		
10 [0.394]		
12 [0.472]		
16 [0.630]		
20 [0.787]		
25 [0.984]		
32 [1.260]		
40 [1.575]		
50 [1.969]		
63 [2.480]		
80 [3.150]		
100 [3.937]		
125 [4.921]		

### ● For Cylinder with Guide

Cylinder bore	mm [in.]	
	A	B
16 [0.630]	11 [0.433]	0
20 [0.787]		
25 [0.984]		
32 [1.260]		
40 [1.575]		

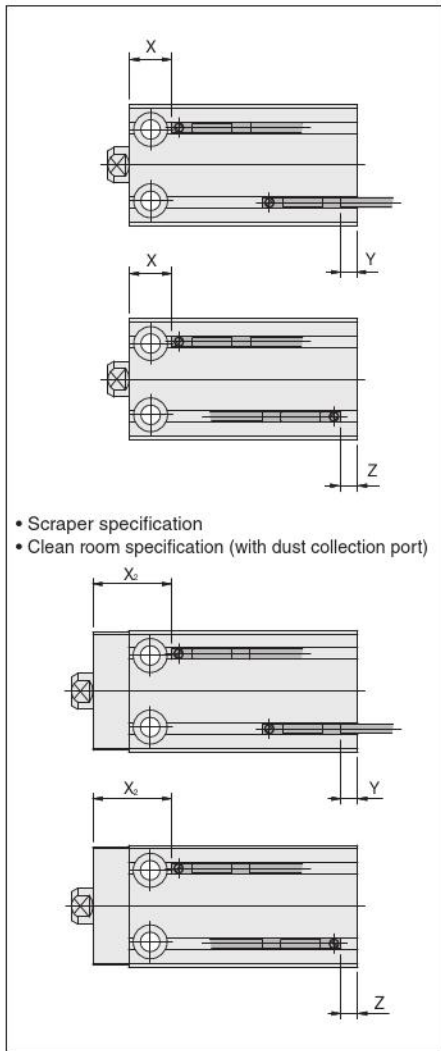
Cylinder bore	mm [in.]	
	A	B
8 [0.315]	23 [0.906]	0
12 [0.472]		
16 [0.630]		
20 [0.787]		
25 [0.984]		
32 [1.260]		
40 [1.575]		

Cylinder bore	mm [in.]	
	A	B
8 [0.315]	15 [0.591]	0
12 [0.472]		
16 [0.630]		
20 [0.787]		
25 [0.984]		
40 [1.575]		

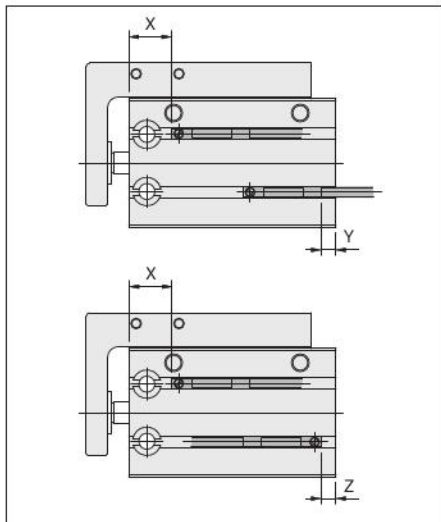
Note: Install a shield plate (at least 1 mm [0.039 in.] thick magnetic material) between two cylinders to use them in close proximity. However, magnetic materials cannot be used in magnetized environments.

# Mounting Position of the End of Stroke Detection Sensor Switch

Mounting the sensor switch in the locations shown (reference values in diagram), the sensor magnet comes to the maximum sensing location of the sensor switch at the end of the stroke.



\* When the Y dimension is negative, the sensor switch protrudes from the cylinder body.



\* When the Y dimension is negative, the sensor switch protrudes from the cylinder body.

## ● Double acting type ● Single acting push type ● Single acting pull type<sup>2</sup>

### Solid state type (2-color LED included)

Item \ Bore		6	8	10	12	16	20	25	32	40	50	63	80	100	125
Double acting type	X	10.5	11	11	11	12	15 (20)	16 (21)	17.5	22.5	27.5	33.5	34.5	46.5	53
	X <sub>2</sub>	-	-	21	21	22	25 (30)	26 (31)	32.5	37.5	42.5	53.5	*54.5	*66.5	*73
	Y	0	-0.5	0.5	1.5	2.5	3.5	4.5	7	9	10	12	14	18	19.5
	Z	3.5	3	4	5	6	7	8	10.5	12.5	13.5	15.5	17.5	21.5	23
Push Single acting type	X	25.5	26	26	26	27	30	31	32.5	37.5	47.5	-	-	-	-
	Y	0	-0.5	0.5	1.5	2.5	3.5	4.5	7	9	10	-	-	-	-
	Z	3.5	3	4	5	6	7	8	10.5	12.5	13.5	-	-	-	-
Pull Single acting type	X	10.5	11	11	11	12	15	16	17.5	22.5	27.5	-	-	-	-
	Y	15	14.5	15.5	16.5	17.5	18.5	19.5	22	24	30	-	-	-	-
	Z	18.5	18	19	20	21	22	23	22.5	27.5	33.5	-	-	-	-

Note: Dimensions in ( ) parentheses are for 5 mm [0.197 in.] stroke models. \* Indicates dimensions for scrapper specification only.

### Reed switch type

Item \ Bore		6	8	10	12	16	20	25	32	40	50	63	80	100	125
Double acting type	X	-	-	-	-	8	11 (16)	12 (17)	13.5	18.5	23.5	29.5	30.5	42.5	49
	X <sub>2</sub>	-	-	-	-	18	21 (26)	22 (27)	28.5	33.5	38.5	49.5	*50.5	*62.5	*69
	Y	-	-	-	-	-0.5	0.5	1.5	4	6	7	9	11	15	16.5
Push Single acting type	X	-	-	-	-	23	26	27	28.5	33.5	43.5	-	-	-	-
	Y	-	-	-	-	-0.5	0.5	1.5	4	6	7	-	-	-	-
	Z	-	-	-	-	2	3	4	6.5	8.5	9.5	-	-	-	-
Pull Single acting type	X	-	-	-	-	8	11	12	13.5	18.5	23.5	-	-	-	-
	Y	-	-	-	-	14.5	15.5	16.5	19	21	27	-	-	-	-
	Z	-	-	-	-	17	18	19	21.5	23.5	29.5	-	-	-	-

Note: Dimensions in ( ) parentheses are for 5 mm [0.197 in.] stroke models. \* Indicates dimensions for scrapper specification only.

## ● Double acting double rod end type

### Solid state type (2-color LED included)

Item \ Bore		6	8	10	12	16	20	25	32	40	50	63	80	100	125
Double acting type	X	10.5	11	11	11	12	15	16	17.5	22.5	27.5	33.5	34.5	46.5	53
	Y	4	4.5	5.5	6.5	7.5	8.5	9.5	12	14	20	22	24	18	19.5
	Z	7.5	8	9	10	11	12	13	15.5	17.5	23.5	25.5	27.5	21.5	23

### Reed switch type

Item \ Bore		6	8	10	12	16	20	25	32	40	50	63	80	100	125
Double acting type	X	-	-	-	-	8	11	12	13.5	18.5	23.5	29.5	30.5	42.5	49
	Y	-	-	-	-	4.5	5.5	6.5	9	11	17	19	21	15	16.5
	Z	-	-	-	-	7	8	9	11.5	13.5	19.5	21.5	23.5	17.5	19

## ● Double acting type with guide

### Solid state type

Item \ Bore		8	12	16	20	25	32	40	
Double acting type	X	11 (16)	11 (16)	12 (17)	15 (20)	16 (21)	17.5 (22.5)	22.5 (27.5) (32.5 for stroke 10 only)	
	Y	-0.5	1.5	2.5	3.5	4.5	12	14	
	Z	3	5	6	7	8	15.5	17.5	

Note: Dimensions in ( ) parentheses are for mid-stroke models (stroke 5, 15, 25, 35, 45, and 55).

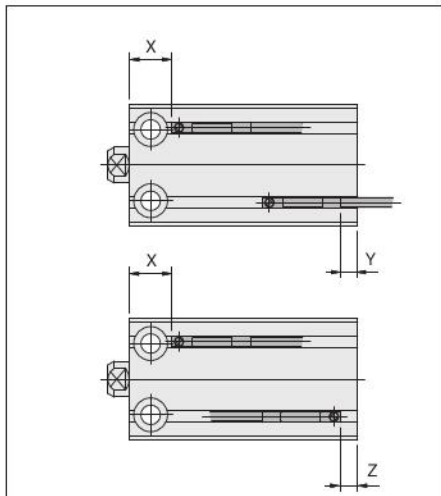
### Reed switch type

Item \ Bore		8	12	16	20	25	32	40	
Double acting type	X	-	-	8 (13)	11 (16)	12 (17)	13.5 (18.5)	18.5 (23.5) (28.5 for stroke 10 only)	
	Y	-	-	-0.5	0.5	1.5	9	11	
	Z	-	-	2	3	4	11.5	13.5	

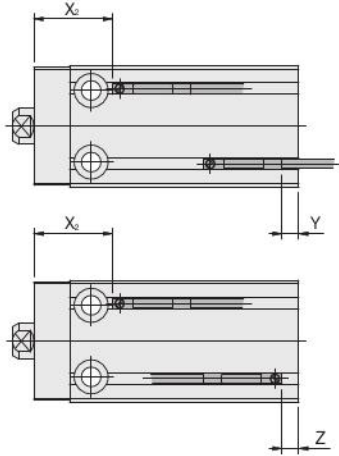
Note: Dimensions in ( ) parentheses are for mid-stroke models (stroke 5, 15, 25, 35, 45, and 55).

# Mounting Position of the End of Stroke Detection Sensor Switch

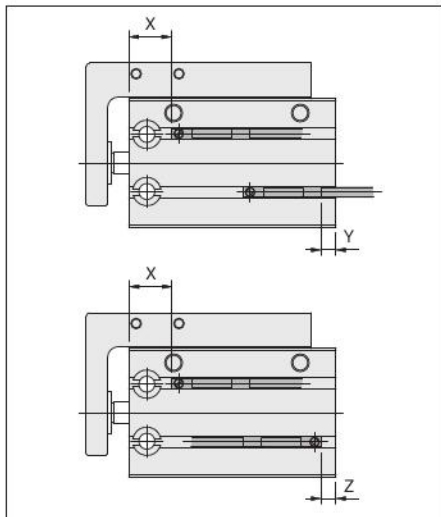
Mounting the sensor switch in the locations shown (reference values in diagram), the sensor magnet comes to the maximum sensing location of the sensor switch at the end of the stroke.



- Scraper specification
- Clean room specification (with dust collection port)



\* When the Y dimension is negative, the sensor switch protrudes from the cylinder body.



\* When the Y dimension is negative, the sensor switch protrudes from the cylinder body.

## ● Double acting type ● Single acting push type ● Single acting pull type<sup>2</sup>

### Solid state type (2-color LED included)

Item	Bore	0.236	0.315	0.394	0.472	0.630	0.787	0.984	1.260	1.575	1.969	2.480	3.150	3.937	4.921
Double acting type	X	0.413	0.433	0.433	0.433	0.472	0.591 (0.787)	0.630 (0.827)	0.689	0.886	1.083	1.319	1.358	1.831	2.087
	X <sub>2</sub>	-	-	0.827	0.827	0.866	0.984 (1.181)	1.024 (1.220)	1.280	1.476	1.673	2.106	*2.146	*2.618	*2.874
	Y	0.000	-0.020	0.020	0.059	0.098	0.138	0.177	0.276	0.354	0.394	0.472	0.551	0.709	0.768
	Z	0.138	0.118	0.157	0.197	0.236	0.276	0.315	0.413	0.492	0.531	0.610	0.689	0.846	0.906
Push Single acting type	X	1.004	1.024	1.024	1.024	1.063	1.181	1.220	1.280	1.476	1.870	-	-	-	-
	Y	0.000	-0.020	0.020	0.059	0.098	0.138	0.177	0.276	0.354	0.394	-	-	-	-
	Z	0.138	0.118	0.157	0.197	0.236	0.276	0.315	0.413	0.492	0.531	-	-	-	-
Pull Single acting type	X	0.413	0.433	0.433	0.433	0.472	0.591	0.630	0.689	0.886	1.083	-	-	-	-
	Y	0.591	0.571	0.610	0.650	0.689	0.728	0.768	0.866	0.945	1.181	-	-	-	-
	Z	0.728	0.709	0.748	0.787	0.827	0.866	0.906	0.886	1.083	1.319	-	-	-	-

Note: Dimensions in ( ) parentheses are for 5 mm [0.197 in.] stroke models. \* Indicates dimensions for scraper specification only.

### Reed switch type

Item	Bore	0.236	0.315	0.394	0.472	0.630	0.787	0.984	1.260	1.575	1.969	2.480	3.150	3.937	4.921
Double acting type	X	-	-	-	-	0.315	0.433 (0.630)	0.472 (0.669)	0.531	0.728	0.925	1.161	1.201	1.673	1.929
	X <sub>2</sub>	-	-	-	-	0.709	0.827 (1.024)	0.866 (1.063)	1.122	1.319	1.516	1.949	*0.078	*0.097	*2.717
	Y	-	-	-	-	-0.020	0.020	0.059	0.157	0.236	0.276	0.354	0.433	0.591	0.650
	Z	-	-	-	-	0.079	0.118	0.157	0.256	0.335	0.374	0.453	0.531	0.689	0.748
Push Single acting type	X	-	-	-	-	0.906	1.024	1.063	1.122	1.319	1.713	-	-	-	-
	Y	-	-	-	-	-0.020	0.020	0.059	0.157	0.236	0.276	-	-	-	-
	Z	-	-	-	-	0.079	0.118	0.157	0.256	0.335	0.374	-	-	-	-
Pull Single acting type	X	-	-	-	-	0.315	0.433	0.472	0.531	0.728	0.925	-	-	-	-
	Y	-	-	-	-	0.571	0.610	0.650	0.748	0.827	1.063	-	-	-	-
	Z	-	-	-	-	0.669	0.709	0.748	0.846	0.925	1.161	-	-	-	-

Note: Dimensions in ( ) parentheses are for 5 mm [0.197 in.] stroke models. \* Indicates dimensions for scraper specification only.

## ● Double acting double rod end type

### Solid state type (2-color LED included)

Item	Bore	0.236	0.315	0.394	0.472	0.630	0.787	0.984	1.260	1.575	1.969	2.480	3.150	3.937	4.921
Double acting type	X	0.413	0.433	0.433	0.433	0.472	0.591	0.630	0.689	0.886	1.083	1.319	1.358	1.831	2.087
	Y	0.157	0.177	0.217	0.256	0.295	0.335	0.374	0.472	0.551	0.787	0.866	0.945	0.709	0.768
	Z	0.295	0.315	0.354	0.394	0.433	0.472	0.512	0.610	0.689	0.925	1.004	1.083	0.846	0.906

### Reed switch type

Item	Bore	0.236	0.315	0.394	0.472	0.630	0.787	0.984	1.260	1.575	1.969	2.480	3.150	3.937	4.921
Double acting type	X	-	-	-	-	0.315	0.433	0.472	0.531	0.728	0.925	1.161	1.201	1.673	1.929
	Y	-	-	-	-	0.177	0.217	0.256	0.354	0.433	0.669	0.748	0.827	0.591	0.650
	Z	-	-	-	-	0.276	0.315	0.354	0.453	0.531	0.768	0.846	0.925	0.689	0.748

## ● Double acting type with guide

### Solid state type

Item	Bore	0.315	0.472	0.630	0.787	0.984	1.260	1.575
Double acting type	X	0.433 (0.630)	0.433 (0.630)	0.472 (0.669)	0.591 (0.787)	0.630 (0.827)	0.689 (0.886)	0.886 (1.083) (1.280 for stroke 10 only)
	Y	-0.020	0.059	0.098	0.138	0.177	0.472	0.551
	Z	0.118	0.197	0.236	0.276	0.315	0.610	0.689

Note: Dimensions in ( ) parentheses are for mid-stroke models (stroke 5, 15, 25, 35, 45, and 55).

### Reed switch type

Item	Bore	0.315	0.472	0.630	0.787	0.984	1.260	1.575
Double acting type	X	-	-	0.315 (0.512)	0.433 (0.630)	0.472 (0.669)	0.531 (0.728)	0.728 (0.925) (1.122 for stroke 10 only)
	Y	-	-	-0.020	0.020	0.059	0.354	0.433
	Z	-	-	0.079	0.118	0.157	0.453	0.531

Note: Dimensions in ( ) parentheses are for mid-stroke models (stroke 5, 15, 25, 35, 45, and 55).

# Limited Warranty

KOGANEI CORP. warrants its products to be free from defects in material and workmanship subject to the following provisions.

**Warranty Period** The warranty period is 180 days from the date of delivery.

**Koganei Responsibility** If a defect in material or workmanship is found during the warranty period, KOGANEI CORP. will replace any part proved defective under normal use free of charge and will provide the service necessary to replace such a part.

**Limitations**

- This warranty is in lieu of all other warranties, expressed or implied, and is limited to the original cost of the product and shall not include any transportation fee, the cost of installation or any liability for direct, indirect or consequential damage or delay resulting from the defects.

- KOGANEI CORP. shall in no way be liable or responsible for injuries or damage to persons or property arising out of the use or operation of the manufacturer's product.

- This warranty shall be void if the engineered safety devices are removed, made inoperative or not periodically checked for proper functioning.

- Any operation beyond the rated capacity, any improper use or application, or any improper installation of the product, or any substitution upon it with parts not furnished or approved by KOGANEI CORP., shall void this warranty.

- This warranty covers only such items supplied by KOGANEI CORP. The products of other manufacturers are covered only by such warranties made by those original manufacturers, even though such items may have been included as the components.

The specifications are subject to change without notice.

URL <http://www.koganei.co.jp>

E-mail: [overseas@koganei.co.jp](mailto:overseas@koganei.co.jp)



## KOGANEI CORPORATION

### OVERSEAS DEPARTMENT

3-11-28, Midori-cho, Koganei City, Tokyo 184-8533, Japan  
Tel: (+81)42-383-7271 Fax: (+81)42-383-7276

### KOGANEI INTERNATIONAL AMERICA, INC.

48860 Milmont Drive, suite 108C, Fremont, California 94538  
Tel: 1-510-744-1626 Fax: 1-510-744-1676

### SHANGHAI KOGANEI INTERNATIONAL TRADING CORPORATION

RM2601-2602, Tongda Venture Building No.1, Lane 600, Tianshan Road,  
Shanghai, China (200051)  
Tel: 86-21-6145-7313 Fax: 86-21-6145-7323

### TAIWAN KOGANEI TRADING CO., LTD

Rm. 2, 16F., No88, Sec. 2, Zhongxiao E. Rd., Zhongzheng Dist., Taipei City 100,  
Taiwan(ROC)  
Tel: 886-2-2393-2717 Fax: 886-2-2393-2719

### KOGANEI KOREA CO., LTD

A-3001, Heungdeok IT Valley Bldg., Heungdeok 1-ro, 13, Giheung-gu, Yongin-si, Gyeonggi-do,  
446-908, KOREA  
Tel: 82-31-246-0414 Fax: 82-31-246-0415

### KOGANEI (THAILAND) CO., LTD

555, Rasa Tower 1, 11th Fl., Unit 1107 and 1108, Phaholyothin Road, Chatuchak,  
Chatuchak, Bangkok 10900  
Tel: +66 (0) 2513-1228-31 Fax: +66 (0) 2513-1232

### KOGANEI AUTOMATION (MALAYSIA) SDN, BHD.

Suite 29-2, Level 29, Menara 1MK, No.1, Jalan Kiara, Mont Kiara  
50480, Kuala Lumpur, Malaysia  
Tel: 60-12-537-7086

### KOGANEI ASIA PTE. LTD.

69 Ubi Road 1, #05-18 Oxley Bizhub Singapore 408731  
Tel: 65-6293-4512 Fax: 65-6293-4513