

**Square body demonstrates powerful downsizing capacity.**

# JIG CYLINDERS C SERIES

**Richly abundant series of 9 different types and 69 models**

A rich series configuration spanning from  $\phi 6$  [0.236in.] to  $\phi 100$  [3.940in.] responds to diverse needs far better than previous thin type cylinders. Moreover, Non-ion specification is also available as standard.  
(Excludes  $\phi 6$  [0.236in.],  $\phi 8$  [0.315in.], and  $\phi 10$  [0.394in.]

**Provides powerful back-up for device miniaturization**

Exhibits no protrusions in its external shape even after a sensor switch has been mounted, for easy mounting in tight spaces. This cylinder is one step up on cylinders of the same class in terms of size, mass, and performance.



$\phi 6$   
[0.236in.]

$\phi 100$   
[3.940in.]



## New Line-Up Includes $\phi 6$ [0.236in.], $\phi 8$ [0.315in.], and $\phi 10$ [0.394in.]

For a greater selection in response to needs for miniaturization, 3 new bore sizes at  $\phi 6$ ,  $\phi 8$ , and  $\phi 10$  have been added, increasing the range of sizes to choose from.



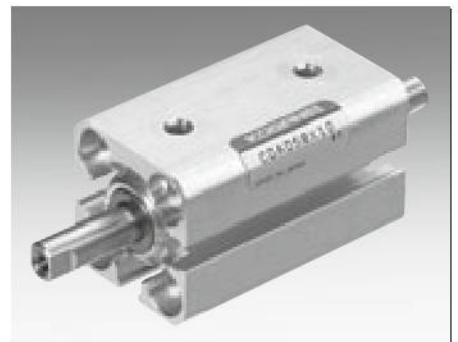
Standard Cylinders

$\phi 6$  [0.236in.]~ $\phi 100$  [3.940in.]



Non-rotating Cylinders

$\phi 6$  [0.236in.]~ $\phi 10$  [0.394in.]



Double Rod Cylinders

$\phi 6$  [0.236in.]~ $\phi 100$  [3.940in.]

## The Jig Cylinders C Series Includes the 9 Types Shown Below.

■ Standard Cylinders p.137



■ Non-rotating Cylinders p.145



■ Square Rod Cylinders p.149



■ Double Rod Cylinders p.154



■ Tandem Cylinders p.161



■ Dual Stroke Cylinders p.170



■ Lateral Load Resistant Cylinders p.180



■ Long Stroke Cylinders p.185



■ End Keep Cylinders p.190



■ Mounting Brackets p.197



■ Sensor Switches p.199



	Operation type			Cylinder specifications		Rod end specifications		Bumpers	Centering location	Non- on specification	Mounting brackets		
	Double acting type	Single acting push type	Single acting pull type	Cylinder with magnet	Heat resistant type	Female thread	Male thread	Not available for heat resistant type		Not available for heat resistant type	Foot mounting bracket	Flange mounting bracket	Clevis mounting bracket
Standard Cylinders	<input checked="" type="checkbox"/>	<input checked="" type="checkbox"/>	<input checked="" type="checkbox"/>	<input checked="" type="checkbox"/>	<input checked="" type="checkbox"/>	<input checked="" type="checkbox"/>	<input checked="" type="checkbox"/>	<input checked="" type="checkbox"/>	<input checked="" type="checkbox"/>	<input checked="" type="checkbox"/>	<input checked="" type="checkbox"/>	<input checked="" type="checkbox"/>	<input checked="" type="checkbox"/>
Non-rotating Cylinders	Note			Note		Note	Note						
Square Rod Cylinders	<input checked="" type="checkbox"/>			<input checked="" type="checkbox"/>		<input checked="" type="checkbox"/>	<input checked="" type="checkbox"/>	<input checked="" type="checkbox"/>	<input checked="" type="checkbox"/>	<input checked="" type="checkbox"/>	<input checked="" type="checkbox"/>	<input checked="" type="checkbox"/>	<input checked="" type="checkbox"/>
Double Rod Cylinders	<input checked="" type="checkbox"/>	<input checked="" type="checkbox"/>		<input checked="" type="checkbox"/>	<input checked="" type="checkbox"/>	<input checked="" type="checkbox"/>	<input checked="" type="checkbox"/>	<input checked="" type="checkbox"/>	<input checked="" type="checkbox"/>	<input checked="" type="checkbox"/>	<input checked="" type="checkbox"/>	<input checked="" type="checkbox"/>	<input checked="" type="checkbox"/>
Tandem Cylinders	<input checked="" type="checkbox"/>	<input checked="" type="checkbox"/>		<input checked="" type="checkbox"/>	<input checked="" type="checkbox"/>	<input checked="" type="checkbox"/>	<input checked="" type="checkbox"/>	<input checked="" type="checkbox"/>	<input checked="" type="checkbox"/>	<input checked="" type="checkbox"/>		<input checked="" type="checkbox"/>	
Dual Stroke Cylinders	<input checked="" type="checkbox"/>	<input checked="" type="checkbox"/>	<input checked="" type="checkbox"/>	<input checked="" type="checkbox"/>		<input checked="" type="checkbox"/>	<input checked="" type="checkbox"/>	<input checked="" type="checkbox"/>	<input checked="" type="checkbox"/>	<input checked="" type="checkbox"/>		<input checked="" type="checkbox"/>	
Lateral Load Resistant Cylinders	<input checked="" type="checkbox"/>			<input checked="" type="checkbox"/>		<input checked="" type="checkbox"/>	<input checked="" type="checkbox"/>	<input checked="" type="checkbox"/>	<input checked="" type="checkbox"/>	<input checked="" type="checkbox"/>	<input checked="" type="checkbox"/>	<input checked="" type="checkbox"/>	<input checked="" type="checkbox"/>
Long Stroke Cylinders	<input checked="" type="checkbox"/>			<input checked="" type="checkbox"/>		<input checked="" type="checkbox"/>	<input checked="" type="checkbox"/>	<input checked="" type="checkbox"/>	<input checked="" type="checkbox"/>	<input checked="" type="checkbox"/>	<input checked="" type="checkbox"/>	<input checked="" type="checkbox"/>	<input checked="" type="checkbox"/>
End Keep Cylinders	<input checked="" type="checkbox"/>			<input checked="" type="checkbox"/>		<input checked="" type="checkbox"/>	<input checked="" type="checkbox"/>	<input checked="" type="checkbox"/>	<input checked="" type="checkbox"/>	<input checked="" type="checkbox"/>	<input checked="" type="checkbox"/>	<input checked="" type="checkbox"/>	<input checked="" type="checkbox"/>

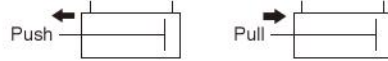
■ The colored areas include bore sizes of  $\phi 6$ ,  $\phi 8$ , and  $\phi 10$ .  
 Note: Non-rotating cylinders are set at bore sizes  $\phi 6$ ,  $\phi 8$ , and  $\phi 10$  only.

# Cylinder Thrust

Select a suitable bore size considering the load and air pressure to obtain the required thrust.

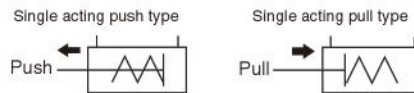
Since the figures in the table are calculated values, select a bore size that results in a load ratio (load ratio =  $\frac{\text{Load}}{\text{Calculated value}}$ ) of 70% or less (50% or less for high speed).

## ● Double acting type



Bore size mm [in.]	Piston rod diameter mm [in.]	Operation	Pressure area mm <sup>2</sup> [in. <sup>2</sup> ]	Air pressure MPa [psi.]									
				0.1 [15]	0.2 [29]	0.3 [44]	0.4 [58]	0.5 [73]	0.6 [87]	0.7 [102]	0.8 [116]	0.9 [131]	1.0 [145]
<b>6 [0.236]</b>	4 [0.157]	Push side	28.3 [0.0439]	2.8 [0.63]	5.7 [1.28]	8.5 [1.91]	11.3 [2.54]	14.1 [3.17]	17.0 [3.82]	19.8 [4.45]	22.6 [5.08]	25.4 [5.71]	—
		Pull side	15.7 [0.0243]	1.6 [0.36]	3.1 [0.7]	4.7 [1.06]	6.3 [1.42]	7.9 [1.78]	9.4 [2.11]	11.0 [2.47]	12.6 [2.83]	14.1 [3.17]	—
<b>8 [0.315]</b>	5 [0.197]	Push side	50.3 [0.0780]	5.0 [1.12]	10.1 [2.27]	15.1 [3.39]	20.1 [4.52]	25.1 [5.64]	30.2 [6.79]	35.2 [7.91]	40.2 [9.04]	45.2 [10.2]	—
		Pull side	30.6 [0.0474]	3.1 [0.70]	6.1 [1.37]	9.2 [2.07]	12.3 [2.77]	15.3 [3.44]	18.4 [4.14]	21.4 [4.81]	24.5 [5.51]	27.6 [6.20]	—
<b>10 [0.394]</b>	5 [0.197]	Push side	78.5 [0.1217]	7.9 [1.78]	15.7 [3.53]	23.6 [5.31]	31.4 [7.06]	39.3 [8.83]	47.1 [10.6]	55.0 [12.4]	62.8 [14.1]	70.7 [15.9]	—
		Pull side	58.9 [0.0913]	5.9 [1.33]	11.8 [2.65]	17.7 [3.98]	23.6 [5.31]	29.5 [6.63]	35.3 [7.94]	41.2 [9.26]	47.1 [10.6]	53.0 [11.9]	—
<b>12 [0.472]</b>	6 [0.236]	Push side	113.0 [0.175]	11.3 [2.54]	22.6 [5.08]	33.9 [7.62]	45.2 [10.2]	56.5 [12.7]	67.8 [15.2]	79.1 [17.8]	90.4 [20.3]	101.7 [22.86]	113.0 [25.40]
		Pull side	84.8 [0.131]	8.5 [1.91]	17.0 [3.82]	25.4 [5.71]	33.9 [7.62]	42.4 [9.53]	50.9 [11.4]	59.3 [13.3]	67.8 [15.2]	76.3 [17.2]	84.8 [19.1]
<b>16 [0.630]</b>	8 [0.315]	Push side	201.0 [0.312]	20.1 [4.52]	40.2 [9.04]	60.3 [13.6]	80.4 [18.1]	100.5 [22.59]	120.6 [27.11]	140.7 [31.63]	160.8 [36.15]	180.9 [40.67]	201.0 [45.18]
		Pull side	150.0 [0.233]	15.1 [3.39]	30.1 [6.77]	45.2 [10.2]	60.3 [13.6]	75.4 [16.9]	90.4 [20.3]	105.5 [23.72]	120.6 [27.11]	135.6 [30.48]	150.7 [33.88]
<b>20 [0.787]</b>	10 [0.394]	Push side	314.0 [0.487]	31.4 [7.06]	62.8 [14.1]	94.2 [21.2]	125.6 [28.23]	157.0 [35.29]	188.4 [42.35]	219.8 [49.41]	251.2 [56.47]	282.6 [63.53]	314.0 [70.59]
		Pull side	235.5 [0.365]	23.6 [5.31]	47.1 [10.6]	70.7 [15.9]	94.2 [21.2]	117.8 [26.48]	141.3 [31.76]	164.9 [37.07]	188.4 [42.35]	212.0 [47.66]	235.5 [52.94]
<b>25 [0.984]</b>	12 [0.472]	Push side	490.6 [0.760]	49.1 [11.0]	98.1 [22.1]	147.2 [33.09]	196.3 [44.13]	245.3 [55.14]	294.4 [66.18]	343.4 [77.20]	392.5 [88.23]	441.6 [99.27]	490.6 [110.3]
		Pull side	377.6 [0.585]	37.8 [8.50]	75.5 [17.0]	113.3 [25.47]	151.0 [33.94]	188.8 [42.44]	226.6 [50.94]	264.3 [59.41]	302.1 [67.91]	339.8 [76.39]	377.6 [84.88]
<b>32 [1.260]</b>	16 [0.630]	Push side	803.8 [1.246]	80.4 [18.1]	160.8 [36.15]	241.2 [54.22]	321.5 [72.27]	401.9 [90.35]	482.3 [108.4]	562.7 [126.5]	643.1 [144.6]	723.5 [162.6]	803.8 [180.7]
		Pull side	602.9 [0.934]	60.3 [13.6]	120.6 [27.11]	180.9 [40.67]	241.2 [54.22]	301.4 [67.75]	361.7 [81.31]	422.0 [94.87]	482.3 [108.4]	542.6 [122.0]	602.9 [135.5]
<b>40 [1.575]</b>	16 [0.630]	Push side	1256.0 [1.947]	125.6 [28.23]	251.2 [56.47]	376.8 [84.70]	502.4 [112.9]	628.0 [141.2]	753.6 [169.4]	879.2 [197.6]	1004.8 [225.9]	1130.4 [254.1]	1256.0 [282.3]
		Pull side	1055.0 [1.635]	105.5 [23.72]	211.0 [47.43]	316.5 [71.15]	422.0 [94.87]	527.5 [118.6]	633.0 [142.3]	738.5 [166.0]	844.0 [189.7]	949.5 [213.4]	1055.0 [237.2]
<b>50 [1.969]</b>	20 [0.787]	Push side	1962.5 [3.042]	196.3 [44.13]	392.5 [88.23]	588.8 [132.4]	785.0 [176.5]	981.3 [220.6]	1177.5 [264.7]	1373.8 [308.8]	1570.0 [352.9]	1766.3 [397.1]	1962.5 [441.2]
		Pull side	1648.5 [2.555]	164.9 [37.07]	329.7 [74.12]	494.6 [111.2]	659.4 [148.2]	824.3 [185.3]	989.1 [222.3]	1154.0 [259.4]	1318.8 [296.5]	1483.7 [333.5]	1648.5 [370.6]
<b>63 [2.480]</b>	20 [0.787]	Push side	3115.7 [4.829]	311.6 [70.05]	623.1 [140.1]	934.7 [210.1]	1246.3 [280.2]	1557.8 [350.2]	1869.4 [420.2]	2181.0 [490.3]	2492.5 [560.3]	2804.1 [630.4]	3115.7 [700.4]
		Pull side	2801.7 [4.343]	280.2 [62.99]	560.3 [126.0]	840.5 [188.9]	1120.7 [251.9]	1400.8 [314.9]	1681.0 [377.9]	1961.2 [440.9]	2241.3 [503.8]	2521.5 [566.8]	2801.7 [629.8]
<b>80 [3.150]</b>	25 [0.984]	Push side	5024.0 [7.787]	502.4 [112.9]	1004.8 [225.9]	1507.2 [338.8]	2009.6 [451.8]	2512.0 [564.7]	3014.4 [677.6]	3516.8 [790.6]	4019.2 [903.5]	4521.6 [1016.5]	5024.0 [1129.4]
		Pull side	4533.4 [7.027]	453.3 [101.9]	906.7 [203.8]	1360.0 [305.7]	1813.4 [407.7]	2266.7 [509.6]	2720.0 [611.5]	3173.4 [713.4]	3626.7 [815.3]	4080.0 [917.2]	4533.4 [1019.1]
<b>100 [3.940]</b>	32 [1.181]	Push side	7850.0 [12.168]	785.0 [176.5]	1570.0 [352.9]	2355.0 [529.4]	3140.0 [705.9]	3925.0 [882.3]	4710.0 [1058.8]	5495.0 [1235.3]	6280.0 [1411.7]	7065.0 [1588.2]	7850.0 [1764.7]
		Pull side	7046.2 [10.922]	704.6 [158.4]	1409.2 [316.8]	2113.8 [475.2]	2818.5 [633.6]	3523.1 [792.0]	4227.7 [950.4]	4932.3 [1108.8]	5636.9 [1267.2]	6341.5 [1425.6]	7046.2 [1584.0]

## ● Single acting type



Operation type	Bore size mm [in.]	Piston rod diameter mm [in.]	Pressure area mm <sup>2</sup> [in. <sup>2</sup> ]	Air pressure MPa [psi.]									
				0.1 [15]	0.2 [29]	0.3 [44]	0.4 [58]	0.5 [73]	0.6 [87]	0.7 [102]	0.8 [116]	0.9 [131]	1.0 [145]
Single acting push type	<b>6 [0.236]</b>	4 [0.157]	28.3 [0.0439]	—	—	5.6 [1.26]	8.4 [1.89]	11.2 [2.52]	14.1 [3.17]	16.9 [3.80]	19.7 [4.43]	22.5 [5.06]	—
	<b>8 [0.315]</b>	5 [0.197]	50.3 [0.0780]	—	—	10.4 [2.34]	15.4 [3.46]	20.4 [4.59]	25.5 [5.73]	30.5 [6.86]	35.5 [7.98]	40.5 [9.10]	—
	<b>10 [0.394]</b>	5 [0.197]	78.5 [0.1217]	—	—	18.9 [4.25]	26.7 [6.00]	34.6 [7.78]	42.4 [9.53]	50.3 [11.3]	58.1 [13.1]	66.0 [14.8]	—
	<b>12 [0.472]</b>	6 [0.236]	113.0 [0.175]	—	12.8 [2.88]	24.1 [5.42]	35.4 [7.96]	46.7 [10.5]	58.0 [13.0]	69.3 [15.6]	80.6 [18.1]	91.9 [20.7]	103.2 [23.20]
	<b>16 [0.630]</b>	6 [0.236]	201.0 [0.312]	—	26.1 [5.87]	46.2 [10.4]	66.3 [14.9]	86.4 [19.4]	106.5 [23.94]	126.6 [28.46]	146.7 [32.98]	166.8 [37.50]	186.9 [42.02]
	<b>20 [0.787]</b>	8 [0.315]	314.0 [0.487]	—	49.0 [11.0]	80.4 [18.1]	111.8 [25.13]	143.2 [32.19]	174.6 [39.25]	206.0 [46.31]	237.4 [53.37]	268.8 [60.43]	300.2 [67.48]
	<b>25 [0.984]</b>	10 [0.394]	490.6 [0.760]	—	76.3 [17.2]	125.4 [28.19]	174.5 [39.23]	223.5 [50.24]	272.6 [61.28]	321.6 [72.30]	370.7 [83.33]	419.8 [94.37]	468.8 [105.4]
	<b>32 [1.260]</b>	12 [0.472]	803.8 [1.246]	—	123.4 [27.74]	203.8 [45.81]	284.1 [63.87]	364.5 [81.94]	444.9 [100.0]	525.3 [118.1]	605.7 [136.2]	686.1 [154.2]	766.4 [172.3]
	<b>40 [1.575]</b>	16 [0.630]	1256.0 [1.947]	—	205.9 [46.29]	331.5 [74.52]	457.1 [102.8]	582.7 [131.0]	708.3 [159.2]	833.9 [187.5]	959.5 [215.7]	1085.1 [243.9]	1210.5 [272.1]
	<b>50 [1.969]</b>	20 [0.787]	1962.5 [3.042]	141.0 [31.70]	337.2 [75.60]	533.5 [119.9]	729.7 [164.0]	926.0 [208.2]	1122.2 [252.3]	1318.5 [296.4]	1514.7 [340.5]	1711.0 [384.6]	1907.2 [428.7]
Single acting pull type	<b>6 [0.236]</b>	4 [0.157]	15.7 [0.0243]	—	—	1.8 [0.40]	3.4 [0.76]	5.0 [1.12]	6.5 [1.46]	8.1 [1.82]	9.7 [2.18]	11.2 [2.52]	—
	<b>8 [0.315]</b>	5 [0.197]	30.6 [0.0474]	—	—	4.5 [1.01]	7.6 [1.71]	10.6 [2.38]	13.7 [3.08]	16.7 [3.75]	19.8 [4.45]	22.9 [5.15]	—
	<b>10 [0.394]</b>	5 [0.197]	58.9 [0.0913]	—	—	13.0 [2.92]	18.9 [4.25]	24.8 [5.58]	30.6 [6.88]	36.5 [8.21]	42.4 [9.53]	48.3 [10.9]	—
	<b>12 [0.472]</b>	6 [0.236]	84.8 [0.131]	—	7.2 [1.62]	15.6 [3.51]	24.1 [5.42]	32.6 [7.33]	41.1 [9.24]	49.5 [11.1]	58.0 [13.0]	66.5 [14.9]	75.0 [16.9]
	<b>16 [0.630]</b>	6 [0.236]	150.7 [0.234]	—	16.0 [3.60]	31.1 [6.99]	46.2 [10.4]	61.3 [13.8]	76.3 [17.2]	91.4 [20.5]	106.5 [23.94]	121.5 [27.31]	136.6 [30.71]
	<b>20 [0.787]</b>	8 [0.315]	235.5 [0.365]	—	33.3 [7.49]	56.9 [12.8]	80.4 [18.1]	104.0 [23.38]	127.5 [28.66]	151.1 [33.97]	174.6 [39.25]	198.2 [44.56]	221.7 [49.84]
	<b>25 [0.984]</b>	10 [0.394]	377.6 [0.585]	—	75.5 [17.0]	113.3 [25.47]	151.0 [33.94]	188.8 [42.44]	226.6 [50.94]	264.3 [59.41]	302.1 [67.91]	339.8 [76.39]	377.6 [84.88]
	<b>32 [1.260]</b>	12 [0.472]	602.9 [0.934]	—	61.4 [13.8]	121.7 [27.36]	182.0 [40.91]	242.2 [54.45]	302.5 [68.00]	362.8 [81.56]	423.1 [95.11]	483.4 [108.7]	543.7 [122.2]
	<b>40 [1.575]</b>	16 [0.630]	1055.0 [1.635]	—	165.7 [37.25]	271.2 [60.97]	376.7 [84.68]	482.2 [108.4]	587.7 [132.1]	693.2 [155.8]	798.7 [179.5]	904.2 [203.3]	1009.7 [227.0]
	<b>50 [1.969]</b>	20 [0.787]	1648.5 [2.555]	109.6 [24.64]	274.4 [61.69]	439.3 [98.75]	604.1 [135.8]	769.0 [172.9]	933.8 [209.9]	1098.7 [247.0]	1263.5 [284.0]	1428.4 [321.1]	1593.2 [358.2]

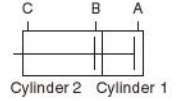
● Spring return force

Bore size mm	Stroke mm	N [lbf.]	
		Zero stroke	End of stroke
6	× 5	2.1 [0.47]	2.9 [0.65]
	× 10	1.2 [0.27]	
8	× 5	3.3 [0.74]	4.7 [1.06]
	× 10	1.9 [0.43]	
10	× 5	3.3 [0.74]	4.7 [1.06]
	× 10	1.9 [0.43]	
12	× 5	7.7 [1.73]	9.8 [2.20]
	× 10	5.7 [1.28]	
	× 15	3.7 [0.83]	
	× 20	5.7 [1.28]	
	× 25	4.7 [1.06]	
16	× 5	11.1 [2.50]	14.1 [3.17]
	× 10	8.2 [1.84]	
	× 15	5.3 [1.19]	
	× 20	8.2 [1.84]	
	× 25	6.7 [1.51]	
20	× 5	11.6 [2.61]	13.8 [3.10]
	× 10	9.5 [2.14]	
	× 15	7.3 [1.64]	
	× 20	9.5 [2.14]	
	× 25	8.4 [1.89]	

Bore size mm	Stroke mm	N [lbf.]	
		Zero stroke	End of stroke
25	× 5	18.1 [4.07]	21.8 [4.90]
	× 10	14.5 [3.26]	
	× 15	10.7 [2.41]	
	× 20	14.5 [3.26]	
	× 25	12.7 [2.85]	
32	× 5	32.0 [7.19]	37.4 [8.41]
	× 10	26.7 [6.00]	
	× 15	21.3 [4.79]	
	× 20	26.7 [6.00]	
	× 25	24.0 [5.40]	
40	× 5	37.7 [8.47]	45.3 [10.18]
	× 10	30.2 [6.79]	
	× 15	22.6 [5.08]	
	× 20	30.2 [6.79]	
	× 25	26.4 [5.93]	
50	× 5	45.4 [10.21]	55.3 [12.43]
	× 10	40.5 [9.10]	
	× 15	35.5 [7.98]	
	× 20	43.0 [9.67]	
	× 25	38.0 [8.54]	

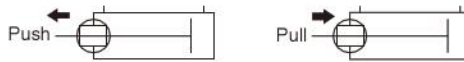
● How to read the thrust table

- For the thrust of the double rod cylinder double acting type, see the pull side of the double acting type thrust table. For the thrust of the single acting type, see the single acting pull type thrust table.
- The thrust of the tandem cylinder is double that of the standard type when air is supplied simultaneously to Port A and Port B, for any operation type before the stroke in Cylinder 1 is complete. When air is supplied to any of Ports A, B, or C alone, then the thrust is the same as for the standard type.



- The thrust for dual stroke cylinders is the same as for the standard type, for any operation type.
- When directly carrying a load, care must be exercised of a lateral load.  
For details, see p.206 "Lateral Load."

● Square rod cylinders



Bore size mm [in.]	Piston rod size mm [in.]	Operation	Pressure area mm <sup>2</sup> [in. <sup>2</sup> ]	Air pressure MPa									
				0.1 [15]	0.2 [29]	0.3 [44]	0.4 [58]	0.5 [73]	0.6 [87]	0.7 [102]	0.8 [116]	0.9 [131]	1.0 [145]
20 [0.787]	□ 7.4 [□ 0.291]	Push side	314.0 [0.487]	31.4 [7.06]	62.8 [14.1]	94.2 [21.2]	125.6 [28.23]	157.0 [35.29]	188.4 [42.35]	219.8 [49.41]	251.2 [56.47]	282.6 [63.53]	314.0 [70.59]
		Pull side	259.2 [0.402]	25.9 [5.82]	51.8 [11.6]	77.8 [17.5]	103.7 [23.3]	129.6 [29.13]	155.5 [34.96]	181.5 [40.80]	207.4 [46.62]	233.3 [52.45]	259.2 [58.27]
25 [0.984]	□ 7.4 [□ 0.291]	Push side	490.6 [0.760]	49.1 [11.0]	98.1 [22.1]	147.2 [33.09]	196.3 [44.13]	245.3 [55.14]	294.4 [66.18]	343.4 [77.20]	392.5 [88.23]	441.6 [99.27]	490.6 [110.3]
		Pull side	435.9 [0.676]	43.6 [9.80]	87.2 [19.6]	130.8 [29.40]	174.3 [39.18]	217.9 [48.98]	261.5 [58.79]	305.1 [68.59]	348.7 [78.39]	392.3 [88.19]	435.9 [97.99]
32 [1.260]	□ 13 [□ 0.512]	Push side	803.8 [1.246]	80.4 [18.1]	160.8 [36.15]	241.2 [54.22]	321.5 [72.27]	401.9 [90.35]	482.3 [108.4]	562.7 [126.5]	643.1 [144.6]	723.5 [162.6]	803.8 [180.7]
		Pull side	634.8 [0.984]	63.5 [14.3]	127.0 [28.55]	190.5 [42.82]	253.9 [57.08]	317.4 [71.35]	380.9 [85.63]	444.4 [99.90]	507.9 [114.2]	571.4 [128.5]	634.8 [142.7]
40 [1.575]	□ 13 [□ 0.512]	Push side	1256.0 [1.947]	125.6 [28.23]	251.2 [56.47]	376.8 [84.70]	502.4 [112.9]	628.0 [141.2]	753.6 [169.4]	879.2 [197.6]	1004.8 [225.9]	1130.4 [254.1]	1256.0 [282.3]
		Pull side	1087.0 [1.685]	108.7 [24.44]	217.4 [48.87]	326.1 [73.31]	434.8 [97.74]	543.5 [122.2]	652.2 [146.6]	760.9 [171.1]	869.6 [195.5]	978.3 [219.9]	1087.0 [244.4]
50 [1.969]	□ 18 [□ 0.709]	Push side	1962.5 [3.042]	196.3 [44.13]	392.5 [88.23]	588.8 [132.4]	785.0 [176.5]	981.3 [220.6]	1177.5 [264.7]	1373.8 [308.8]	1570.0 [352.9]	1766.3 [397.1]	1962.5 [441.2]
		Pull side	1638.5 [2.540]	163.9 [36.84]	327.7 [73.67]	491.6 [110.5]	655.4 [147.3]	819.3 [184.2]	983.1 [221.0]	1147.0 [257.8]	1310.8 [294.7]	1474.7 [331.5]	1638.5 [368.3]
63 [2.480]	□ 18 [□ 0.709]	Push side	3115.7 [4.829]	311.6 [70.05]	623.1 [140.1]	934.7 [210.1]	1246.3 [280.2]	1557.8 [350.2]	1869.4 [420.2]	2181.0 [490.3]	2492.5 [560.3]	2804.1 [630.4]	3115.7 [700.4]
		Pull side	2791.7 [4.327]	279.2 [62.76]	558.3 [125.5]	837.5 [188.3]	1116.7 [251.0]	1395.8 [313.8]	1675.0 [376.5]	1954.2 [439.3]	2233.3 [502.0]	2512.5 [564.8]	2791.7 [627.6]

# JIG CYLINDERS C SERIES TANDEM CYLINDERS

Double Acting Type,  
Single Acting Push Type



## Symbols

### ● Double acting type



### ● Single acting push type



## Specifications

Bore size mm [in.]		12	16	20	25	32	40	50	63	80	100	
Item		[0.472]	[0.630]	[0.787]	[0.984]	[1.260]	[1.575]	[1.969]	[2.480]	[3.150]	[3.940]	
Operation type		Double acting type, Single acting push type						Double acting type				
Media		Air										
Operating pressure range MPa [psi.]	Double acting type	0.2~1.0 [29~145]						0.1~1.0 [15~145]				
	Single acting type	0.3~1.0 [44~145]						0.2~1.0 [29~145]		—		
Proof pressure MPa [psi.]		1.5 [218]										
Operating temperature range °C [°F]		0~60 [32~140] (The heat resistant specification is 120 [248]. <small>Note 1</small> )										
Operating speed range mm/s [in./sec.]	Double acting type	30~500 [1.2~19.7]						30~300 [1.2~11.8]				
	Single acting type	100~500 [3.9~19.7]						100~300 [3.9~11.8]		—		
Cushion		Rubber bumper (Option <small>Note 2</small> )						—				
Lubrication		Not required (If lubrication is required, use Turbine Oil Class 1 [ISO VG32] or equivalent.)										
Port size		M5 X 0.8			Rc1/8		Rc1/4		Rc3/8			

Remark: For Handling Instructions and Precautions, see p.205.

- Notes: 1. For heat resistant specification, consult us.  
2. Not available for heat resistant specification.

## Bore Size and Stroke

For non-standard strokes, see p.206.

Operation type	Stroke 1 Bore size	mm											
		5	10	15	20	25	30	35	40	45	50	75	100
Double acting type CDAT CDATS	12, 16	0.5, 10 15, 20, 25	0.5, 10 15, 20	0.5, 10, 15	0.5, 10	0.5	0	—	—	—	—	—	—
	20, 25	0.5, 10, 15 20, 25, 30 35, 40, 45	0.5, 10, 15 20, 25, 30 35, 40	0.5, 10 15, 20, 25 30, 35	0.5, 10, 15 20, 25, 30	0.5, 10 15, 20, 25	0.5, 10 15, 20	0.5, 10, 15 20, 25, 30	0.5, 10 15, 20	0.5	0	—	—
	32, 40	0.5, 10, 15 20, 25, 30, 35 40, 45, 70, 95	0.5, 10, 15 20, 25, 30, 35 40, 65, 90	0.5, 10, 15 20, 25, 30 35, 60, 85	0.5, 10, 15 20, 25, 30 55, 80	0.5, 10 15, 20, 25 50, 75	0.5, 10 15, 20 45, 70	0.5, 10, 15 20, 25, 30 40, 65	0.5, 10 35, 60	0.5, 30, 55	0.25, 50	0.25	0
	50, 63 80, 100	—	0.5, 10, 15 20, 25, 30, 35 40, 65, 90	0.5, 10, 15 20, 25, 30 35, 60, 85	0.5, 10, 15 20, 25, 30 55, 80	0.5, 10 15, 20, 25 50, 75	0.5, 10, 15 20, 45, 70	0.5, 10, 15 40, 65	0.5, 10 35, 60	0.5, 30, 55	0.25, 50	0.25	0
Single acting type CSAT CSATS	12, 16, 20 25, 32, 40	0.5, 10 15, 20, 25	0.5, 10 15, 20	0.5, 10, 15	0.5, 10	0.5	0	—	—	—	—	—	—
	50	—	0.5, 10, 15 20, 25, 30	0.5, 10 15, 20, 25	0.5, 10 15, 20	0.5, 10, 15	0.5, 10	0.5	0	—	—	—	—

- Remarks: 1. Stroke tolerance: Stroke 1 side  $+1_{-0.2}^{+0.039in.}$ , stroke 2 side  $+1_{0}^{+0.039in.}$   
2. The figures in the table are combinations of stroke 2 (standard) responding to stroke 1 (standard).  
3. In most cases, body cutting is used for the non-standard strokes.  
However, body cutting is not used for "Stroke 1" or "Stroke 1 + Stroke 2" under the condition mentioned below. The collar packed is used for these cases.  
 $\phi 12 \sim \phi 40$ : less than 5mm  
 $\phi 50 \sim \phi 100$ : less than 10mm

### ● About stroke 1 and stroke 2

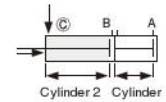
Stroke 1 is the stroke of cylinder 1.

Stroke 2 is obtained by subtracting stroke 1 from the stroke of cylinder 2.

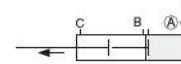
## Operation of Tandem Cylinders

Tandem Cylinders are a set of 2 cylinders joined end to end.

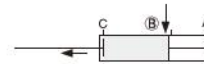
It can be used as a two-stage stroke cylinder by supplying air to either Port A or Port B. It can also obtain twice the thrust within the "stroke I" range.



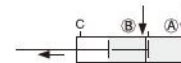
The rods retract strokes II and I when air is supplied from Port C.



The rod moves stroke I when air is supplied from Port A.

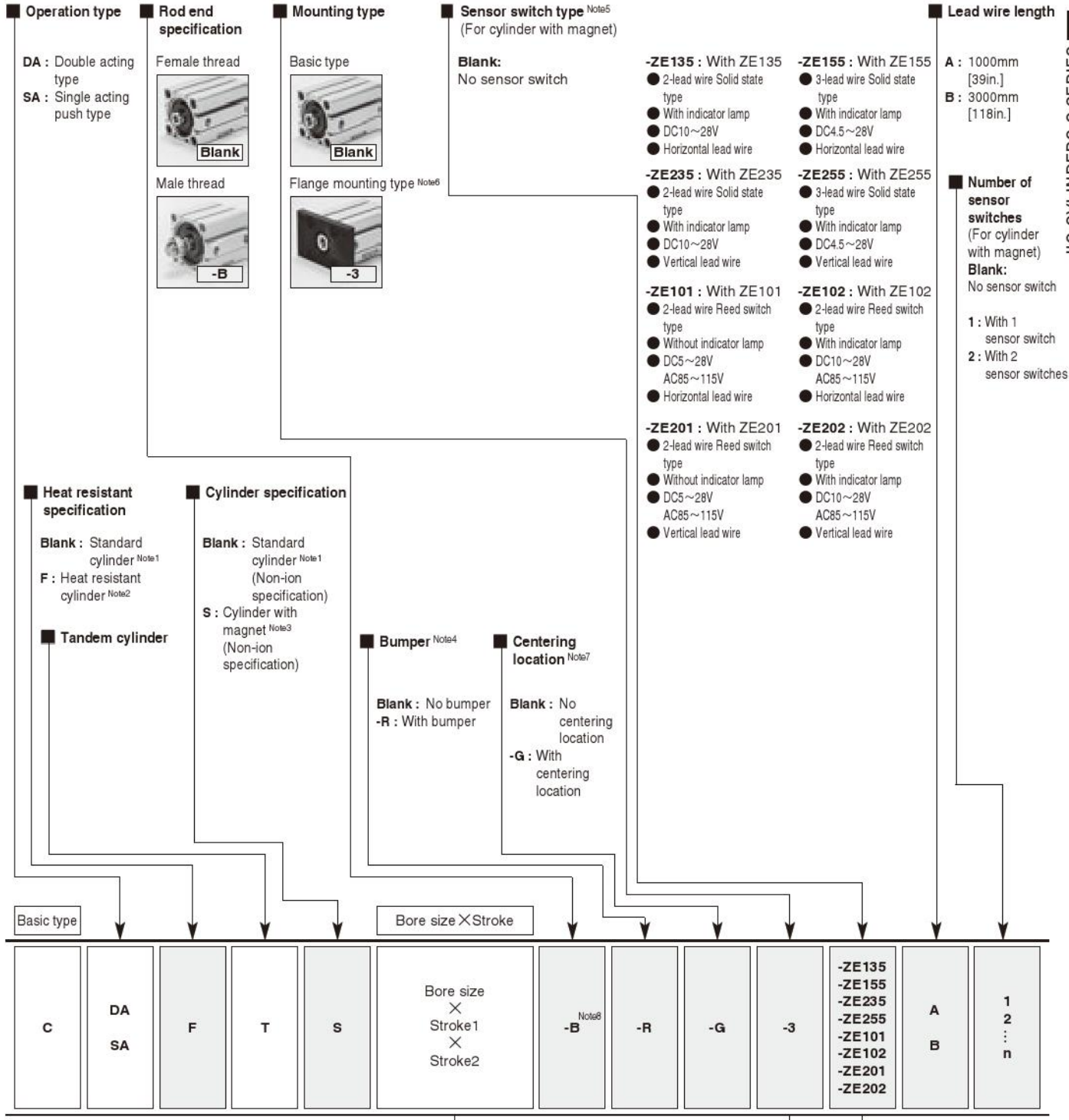


The rod moves stroke II when air is supplied from Port B.



Twice the thrust is obtained within the stroke I range when air is supplied from Ports A and B.

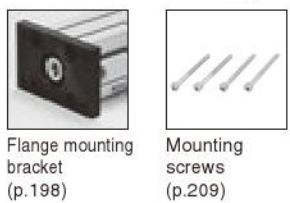
# Order Codes for Tandem Cylinders



● See table for bore size and stroke. ● Mounting brackets are included at shipping.

- Notes: 1. In the standard cylinder, a magnet for the sensor switch is not built-in.  
 2. Not available for the cylinder with magnet or the cylinder with bumper.  
 3. Not available in heat resistant specification.  
 4. For the double acting type only. Not available for heat resistant specification.  
 5. For details of sensor switches, see p.1544.  
 6. The flange mounting bracket can be mounted on the rod side only. Moreover, it cannot be mounted on the bore size  $\phi$  40 with centering location (-G).  
 7. Not available for the bore size  $\phi$  12.  
 8. For information regarding the cylinder joint and cylinder rod end for male thread, see p.1568.
- For the order codes of sensor switches only, see p.199.  
 ● For heat resistant specification, sensor switch is not available.

## Additional Parts (To be ordered separately)

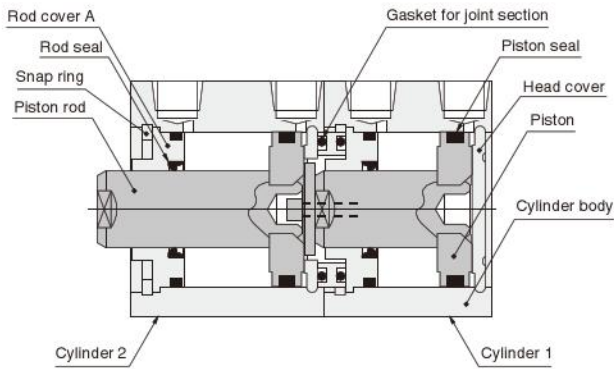


Flange mounting bracket (p.198)  
 Mounting screws (p.209)

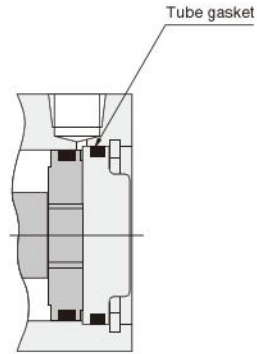
# Inner Construction and Major Parts

## ● Double acting type (CDAT)

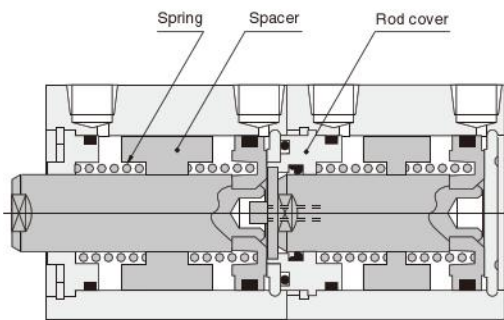
●  $\phi 12 \sim \phi 40$



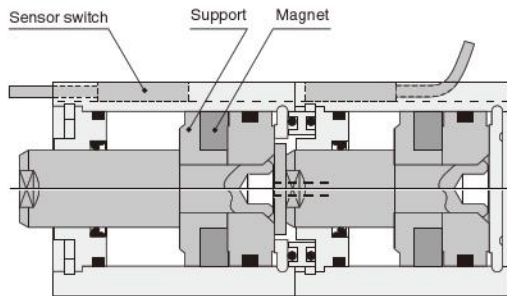
●  $\phi 50 \sim \phi 100$



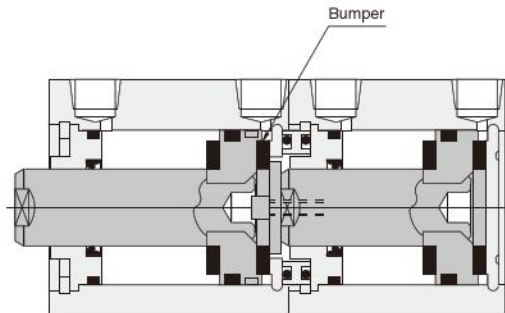
## ● Single acting push type (CSAT)



## ● Cylinder with magnet



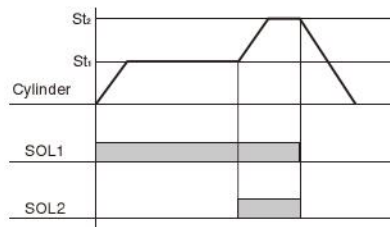
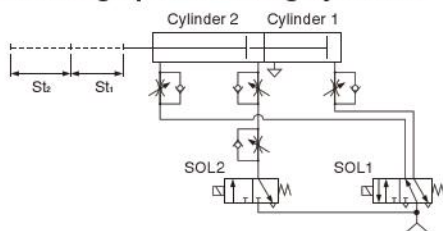
## ● With bumper



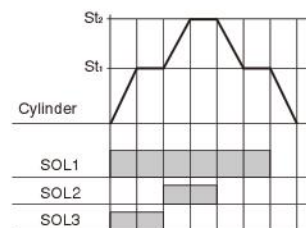
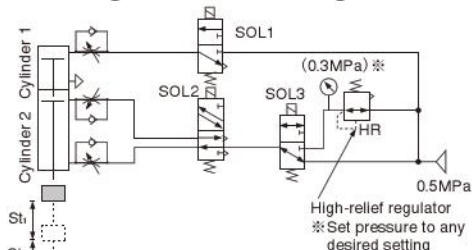
# Tandem Cylinder Air Circuit Examples

When using a tandem cylinder as a 2-stage stroke cylinder, refer to the air circuits shown below. For application of other air circuits not shown below, consult us.

## ● For mounting upward-facing cylinders



## ● For mounting downward-facing or horizontal cylinders



## Major Parts and Materials

Parts	Bore mm	φ 12	φ 16	φ 20	φ 25	φ 32	φ 40	φ 50	φ 63	φ 80	φ 100
Cylinder body		Aluminum alloy (anodized)									
Piston		Aluminum alloy (special rust prevention treatment)									
Piston rod		Stainless steel (chrome plated)					Steel (chrome plated)				
Seal		Synthetic rubber (NBR)									
Rod cover		Aluminum alloy (special wear-resistant treatment)									
Head cover		Aluminum alloy (anodized)									
Snap ring		Steel (phosphate coating)									
Spring		Piano wire								—	
Spacer		Aluminum alloy (special rust prevention treatment)								—	
Bumper		Synthetic rubber (NBR; urethane for φ 12 only)									
Magnet		Plastic magnet									
Support		Aluminum alloy (special rust prevention treatment)									

## Seals

Parts Bore mm	Rod seal	Piston seal	Tube gasket		Gasket for joint section
			Rod side	Head side	
φ 12	MYR-6	COP-12	Y090260	None	Y090119
φ 16	MYR-8	COP-16	Y090207	None	M202208
φ 20	MYR-10	COP-20(MYA-16)	Y090216	None	L090134
φ 25	MYR-12	COP-25(MYA-21)	Y090210	None	Y090196
φ 32	MYR-16	COP-32	L090084	None	L090015
φ 40	MYR-16	COP-40	L090151	None	L090028
φ 50	MYR-20	COP-50	L090174	L090106	None
φ 63	MYR-20	COP-63	L090180	L090107	None
φ 80	PNY-25	COP-80	L090171	L090108	None
φ 100	PNY-32	COP-100	L090172	L090109	None

Note: Items in parentheses ( ) are for the single acting type.

## Mass

### ● Double acting type

Bore size mm [in.]	Zero stroke mass <sup>Note 1</sup>	Additional mass for each 1mm [0.0394in.] of stroke1	Additional mass for each 1mm [0.0394in.] of stroke2	Additional mass of cylinder with bumper	Additional mass of cylinder with magnet	Mass of mounting bracket	Additional mass of sensor switch <sup>Note 2</sup>	
							Flange bracket	ZE□□□A
12 [0.472]	44.26 [1.561]	2.68 [0.095]	1.28 [0.045]	13.39 [0.472]	13.73 [0.484]	55 [1.94]	15 [0.53]	35 [1.23]
16 [0.630]	61.11 [2.156]	3.34 [0.118]	1.62 [0.057]	16.71 [0.589]	20.41 [0.720]	71 [2.50]		
20 [0.787]	96.79 [3.414]	4.63 [0.163]	2.26 [0.080]	23.14 [0.816]	52.54 [1.853]	101 [3.56]		
25 [0.984]	147.69 [5.210]	6.41 [0.226]	3.11 [0.110]	32.05 [1.131]	76.92 [2.713]	160 [5.64]		
32 [1.260]	220.3 [7.771]	8.43 [0.297]	4.11 [0.145]	42.13 [1.486]	106.84 [3.769]	186 [6.56]		
40 [1.575]	345.12 [12.174]	9.85 [0.347]	4.77 [0.168]	0	141.38 [4.987]	335 [11.82]		
50 [1.969]	562.47 [19.840]	14.51 [0.512]	7.03 [0.248]	0	220.44 [7.776]	447 [15.77]		
63 [2.480]	890.99 [31.428]	17.83 [0.629]	8.69 [0.307]	0	322.44 [11.374]	591 [20.85]		
80 [3.150]	1770.07 [62.436]	26.91 [0.949]	13.06 [0.461]	0	497.9 [17.563]	1414 [49.88]		
100 [3.940]	3252 [114.7]	38.46 [1.357]	18.61 [0.656]	0	732.34 [25.832]	2606 [91.92]		

Notes: 1. The above table is for the standard strokes.

2. Sensor switch codes A and B show the lead wire lengths.  
A: 1000mm [39in.] B: 3000mm [118in.]

Calculation example: For the mass of a double acting type cylinder with magnet, bore size of 25mm, 30mm for stroke 1, 10mm for stroke2, and 2 sensor switches (ZE135A)  
 $147.69 + (6.41 \times 30) + (3.11 \times 10) + 76.92 + (15 \times 2) = 478.01\text{g} [16.861\text{oz.}]$

### ● Single acting push type

Bore size mm [in.]	Zero stroke mass <sup>Note 1</sup>			Additional mass for each 1mm [0.0394in.] of stroke1	Additional mass for each 1mm [0.0394in.] of stroke2	Additional mass of cylinder with magnet	Mass of mounting bracket	Additional mass of sensor switch <sup>Note 2</sup>		
	Stroke1							Flange bracket	ZE□□□A	ZE□□□B
	5~15 (φ 50: 10~20)		16~30 (φ 50: 21~40)							
	Stroke 1 + Stroke 2									
	5~15 (φ 50: 10~20)		16~30 (φ 50: 21~40)				15 [0.53]	35 [1.23]		
12 [0.472]	55.88 [1.971]	69.98 [2.468]	85.21 [3.006]	2.68 [0.0945]	1.28 [0.0451]	16.11 [0.568]			55 [1.94]	
16 [0.630]	80.31 [2.833]	99.64 [3.515]	120.1 [4.236]	3.34 [0.118]	1.62 [0.0571]	21.21 [0.748]			71 [2.50]	
20 [0.787]	96.88 [3.417]	124.84 [4.404]	153.93 [5.430]	4.63 [0.163]	2.26 [0.0797]	51.89 [1.830]			101 [3.56]	
25 [0.984]	147.45 [5.201]	186 [6.561]	226.53 [7.990]	6.41 [0.226]	3.11 [0.110]	80.18 [2.828]			160 [5.64]	
32 [1.260]	223.01 [7.866]	306.96 [10.828]	393.89 [13.894]	8.43 [0.297]	4.11 [0.145]	103.14 [3.638]			186 [6.56]	
40 [1.575]	345.03 [12.170]	453.44 [15.994]	566.48 [19.982]	9.85 [0.347]	4.77 [0.168]	141.93 [5.006]			335 [11.82]	
50 [1.969]	561.93 [19.821]	691.19 [24.381]	827.1 [29.175]	14.51 [0.512]	7.03 [0.248]	216.54 [7.638]			447 [15.77]	

Notes 1: The above table is for the standard strokes.

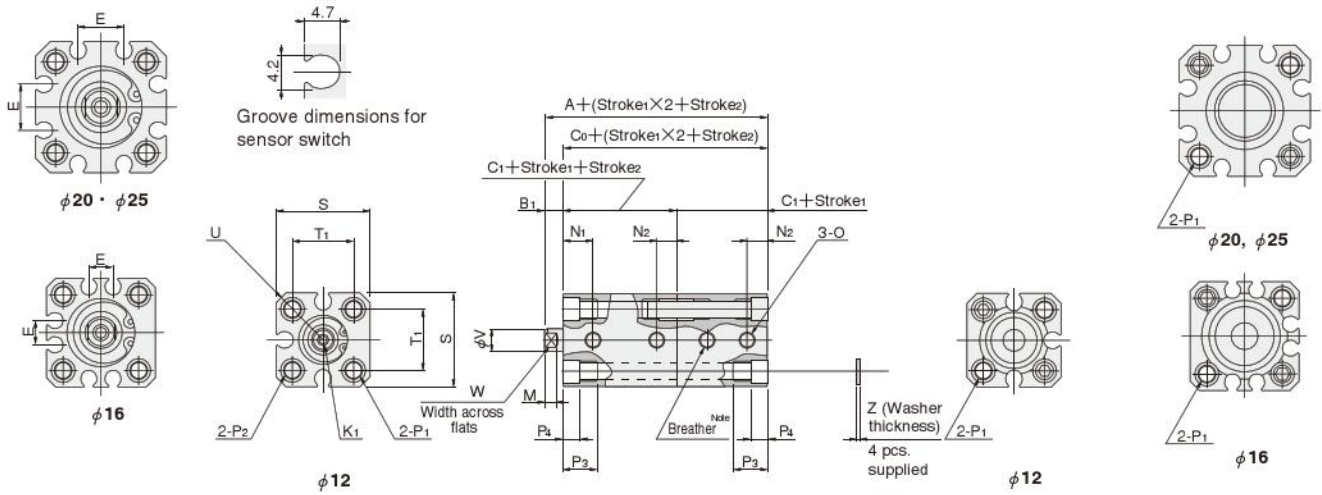
- 2: Sensor switch codes A and B show the lead wire lengths.  
A: 1000mm [39in.] B: 3000mm [118in.]

Calculation example: For the mass of a single acting push type cylinder with magnet, bore size of 25mm, 10mm for stroke 1, 20mm for stroke2, and 2 sensor switches (ZE135A)  
 $186 + (6.41 \times 10) + (3.11 \times 20) + 80.18 + (15 \times 2) = 422.48\text{g} [14.902\text{oz.}]$

# Dimensions of Tandem Cylinder Double Acting Type (mm)

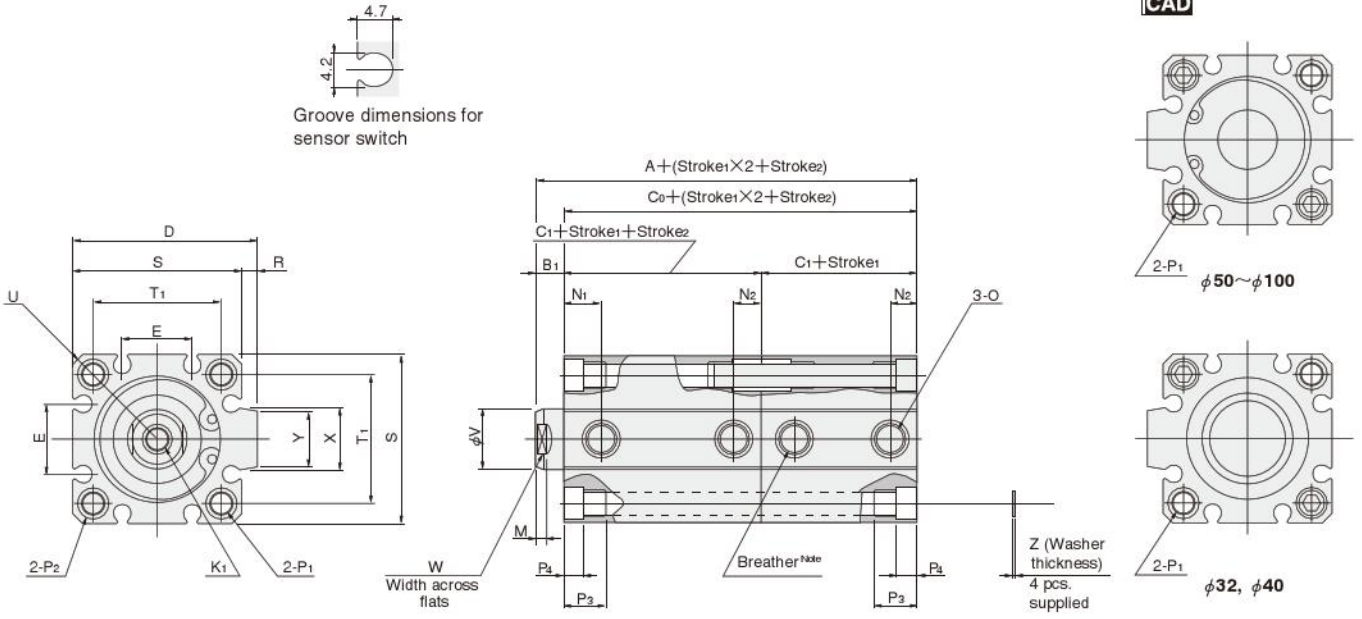
●  $\phi 12 \sim \phi 25$

CAD Bore size



●  $\phi 32 \sim \phi 100$

CAD Bore size



Type Code Bore mm [in.]	Standard cylinder (CDAT)				Cylinder with magnet (CDATS)				Standard cylinder with bumper (CDAT-R)				Cylinder with magnet with bumper (CDATS-R)				D	E	K <sub>1</sub>	M	N <sub>1</sub>	N <sub>2</sub>	O
	A	B <sub>1</sub>	C <sub>0</sub>	C <sub>1</sub>	A	B <sub>1</sub>	C <sub>0</sub>	C <sub>1</sub>	A	B <sub>1</sub>	C <sub>0</sub>	C <sub>1</sub>	A	B <sub>1</sub>	C <sub>0</sub>	C <sub>1</sub>							
<b>12 [0.472]</b>	39	5	34	17	49	5	44	22	49	5	44	22	59	5	54	27	—	—	M3X0.5 Depth6	3.5	8	5	M5X0.8
<b>16 [0.630]</b>	39.5	5.5	34	17	49.5	5.5	44	22	49.5	5.5	44	22	59.5	5.5	54	27	—	6.2	M4X0.7 Depth8	3.5	8	5	M5X0.8
<b>20 [0.787]</b>	44.5	5.5	39	19.5	64.5	5.5	59	29.5	64.5	5.5	49	24.5	74.5	5.5	69	34.5	—	12.2	M5X0.8 Depth10	4.5	9.5	5	M5X0.8
<b>25 [0.984]</b>	48	6	42	21	68	6	62	31	58	6	52	26	78	6	72	36	—	12.2	M6X1 Depth10	5	10.5	5	M5X0.8
<b>32 [1.260]</b>	53	7	46	23	73	7	66	33	63	7	56	28	73	7	66	33	48.5	18.2	M6X1.25 Depth12	6	9.5	7.5(6)	Rc1/8
<b>40 [1.575]</b>	59	7	52	26	79	7	72	36	59	7	52	26	79	7	72	36	56.5	18.2	M6X1.25 Depth12	6	10.5	7.5	Rc1/8
<b>50 [1.969]</b>	65	9	56	28	85	9	76	38	65	9	56	28	85	9	76	38	70	24.8	M10X1.5 Depth15	7	11	9.5	Rc1/4
<b>63 [2.480]</b>	73	9	64	32	93	9	84	42	73	9	64	32	93	9	84	42	83	26.8	M10X1.5 Depth15	7	12.5	11	Rc1/4
<b>80 [3.150]</b>	93	11	82	41	113	11	102	51	93	11	82	41	113	11	102	51	102	32.8	M14X2 Depth20	9	18	12	Rc3/8
<b>100 [3.940]</b>	114	12	102	51	134	12	122	61	114	12	102	51	134	12	122	61	122	32.8	M18X2.5 Depth20	9	22.5	16.5	Rc3/8

Code Bore mm [in.]	P <sub>1</sub>		P <sub>2</sub>	P <sub>3</sub>	P <sub>4</sub>	R	S	T <sub>1</sub>	U	V	W	X	Y	Z	Appropriate through bolt
<b>12 [0.472]</b>	φ 4.3 (Thru hole)	C'bore φ 6.5 (Both sides) and M5X0.8 (Both sides)	Counterbore φ 6.5 and M5X0.8	9.5	4.5	—	25	16.3	R16	6	5	—	—	1	M3
<b>16 [0.630]</b>	φ 4.3 (Thru hole)	C'bore φ 6.5 (Both sides) and M5X0.8 (Both sides)	Counterbore φ 6.5 and M5X0.8	9.5	4.5	—	29	19.8	R19	8	6	—	—	1	M3
<b>20 [0.787]</b>	φ 4.3 (Thru hole)	C'bore φ 6.5 (Both sides) and M5X0.8 (Both sides)	Counterbore φ 6.5 and M5X0.8	9.5	4.5	—	34	24	R22	10	8	—	—	1	M3
<b>25 [0.984]</b>	φ 5.1 (Thru hole)	C'bore φ 8 (Both sides) and M6X1 (Both sides)	Counterbore φ 8 and M6X1	11.5	5.5	—	40	28	R25	12	10	—	—	1	M4
<b>32 [1.260]</b>	φ 5.1 (Thru hole)	C'bore φ 8 (Both sides) and M6X1 (Both sides)	Counterbore φ 8 and M6X1	11.5	5.5	4.5	44	34	R29.5	16	14	15	13.6	1	M4
<b>40 [1.575]</b>	φ 6.9 (Thru hole)	C'bore φ 9.5 (Both sides) and M8X1.25 (Both sides)	Counterbore φ 9.5 and M8X1.25	15.5	7.5	4.5	52	40	R35	16	14	15	13.6	1.6	M5
<b>50 [1.969]</b>	φ 6.9 (Thru hole)	C'bore φ 11 (Both sides) and M8X1.25 (Both sides)	Counterbore φ 11 and M8X1.25	16.5	8.5	8	62	48	R41	20	17	21.6	19	1.6	M6
<b>63 [2.480]</b>	φ 6.9 (Thru hole)	C'bore φ 11 (Both sides) and M8X1.25 (Both sides)	Counterbore φ 11 and M8X1.25	16.5	8.5	8	75	60	R50	20	17	21.6	19	1.6	M6
<b>80 [3.150]</b>	φ 10.5 (Thru hole)	C'bore φ 14 (Both sides) and M12X1.75 (Both sides)	Counterbore φ 14 and M12X1.75	22.5	10.5	8	94	74	R62	25	22	27.6	25	1.6	M8
<b>100 [3.940]</b>	φ 12.3 (Thru hole)	C'bore φ 17.5 (Both sides) and M14X2 (Both sides)	Counterbore φ 17.5 and M14X2	27	13	8	114	90	R75	32	27	27.6	25	2	M10

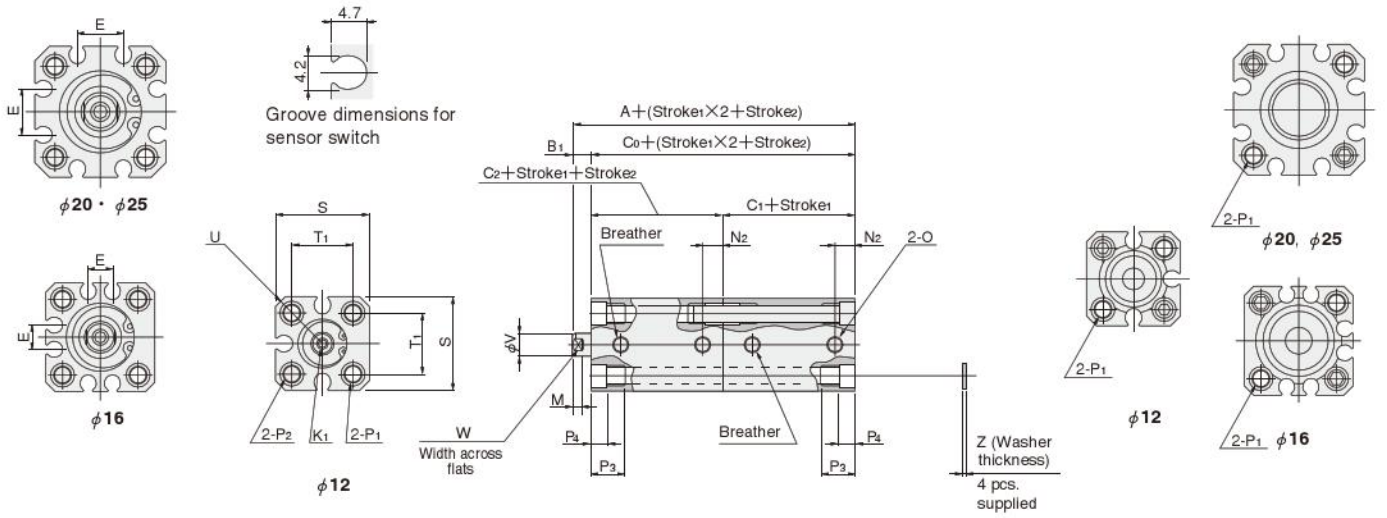
Note: Figure in parentheses [ ] is for the standard cylinder (CDAT) when stroke 1, or stroke 1 + stroke2 is 5mm.

※ Some types of mounting screws are available (to be ordered separately). See p.209.

# Dimensions of Tandem Cylinder Single Acting Push Type (mm)

●  $\phi 12 \sim \phi 25$

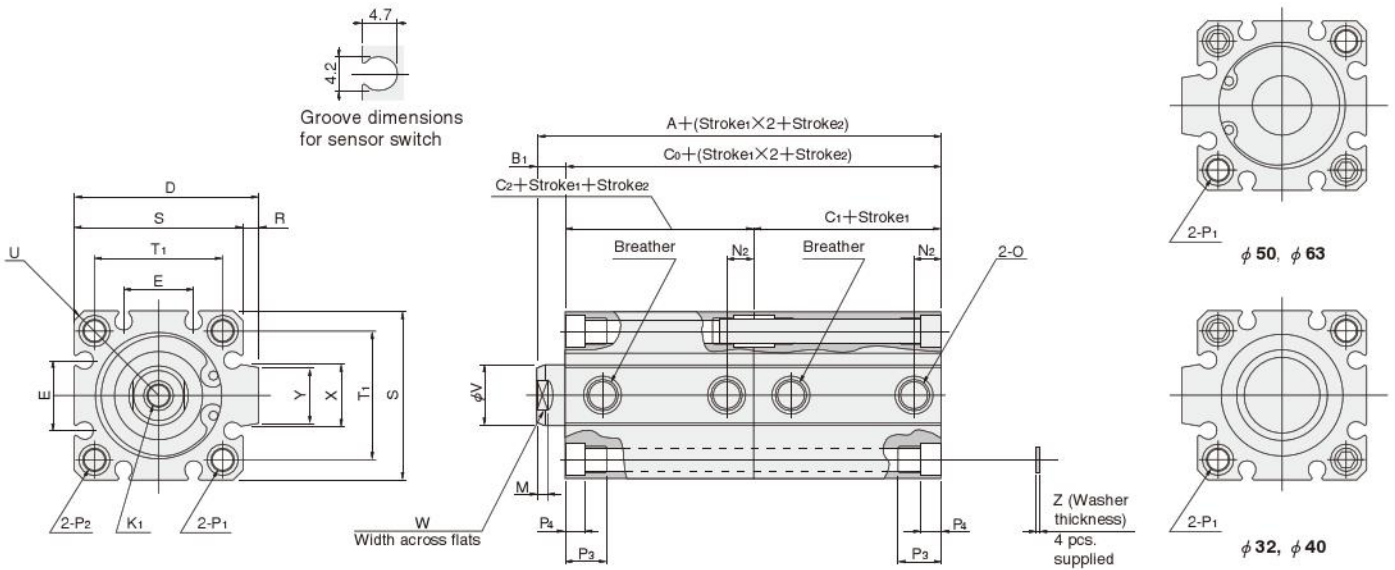
CAD CSAT Bore size



● The drawing is for  $\phi 12$ .

●  $\phi 32 \sim \phi 50$

CAD CSAT Bore size



Type	Standard cylinder (CSAT)											Cylinder with magnet (CSATS)										
	Stroke 1	5~15 (φ 50: 10~20)					16~30 (φ 50: 21~40)					5~15 (φ 50: 10~20)				16~30 (φ 50: 21~40)						
		Code	A	B <sub>1</sub>	C <sub>0</sub>	C <sub>1</sub>	C <sub>2</sub>	A	B <sub>1</sub>	C <sub>0</sub>	C <sub>1</sub>	C <sub>2</sub>	A	B <sub>1</sub>	C <sub>0</sub>	C <sub>1</sub>	C <sub>2</sub>	A	B <sub>1</sub>	C <sub>0</sub>	C <sub>1</sub>	C <sub>2</sub>
12 [0.472]	D1	49	5	44	22	22	—	—	—	—	—	59	5	54	27	27	—	—	—	—	—	—
	D2	59		54		32	69	5	64	32	32	69		64		37	79	5	74	37	37	
16 [0.630]	D1	49.5	5.5	44	22	22	—	—	—	—	—	59.5	5.5	54	27	27	—	—	—	—	—	—
	D2	59.5		54		32	69.5	5.5	64	32	32	69.5		64		37	79.5	5.5	74	37	37	
20 [0.787]	D1	44.5	5.5	39	19.5	19.5	—	—	—	—	—	64.5	5.5	59	29.5	29.5	—	—	—	—	—	—
	D2	54.5		49		29.5	64.5	5.5	59	29.5	29.5	74.5		69		39.5	84.5	5.5	79	39.5	39.5	
25 [0.984]	D1	48	6	42	21	21	—	—	—	—	—	68	6	62	31	31	—	—	—	—	—	—
	D2	58		52		31	68	6	62	31	31	78		72		41	88	6	82	41	41	
32 [1.260]	D1	53	7	46	23	23	—	—	—	—	—	73	7	66	33	33	—	—	—	—	—	—
	D2	68		61		38	83	7	76	38	38	88		81		48	103	7	96	48	48	
40 [1.575]	D1	59	7	52	26	26	—	—	—	—	—	79	7	72	36	36	—	—	—	—	—	—
	D2	74		67		41	89	7	82	41	41	94		87		51	109	7	102	51	51	
50 [1.969]	D1	65	9	56	28	28	—	—	—	—	—	85	9	76	38	38	—	—	—	—	—	—
	D2	80		71		43	95	9	86	43	43	100		91		53	115	9	106	53	53	

Bore mm [in.]	Code	D	E	K <sub>1</sub>		M	N <sub>2</sub>	O	P <sub>1</sub>				
				Depth					φ 4.3 (Thru hole) Counterbore φ 6.5 (Both sides) and M5×0.8 (Both sides)				
12 [0.472]	D1	—	—	M3×0.5	Depth6	3.5	5	M5×0.8	φ 4.3 (Thru hole) Counterbore φ 6.5 (Both sides) and M5×0.8 (Both sides)				
	D2	—	6.2	M4×0.7	Depth8	3.5	5	M5×0.8	φ 4.3 (Thru hole) Counterbore φ 6.5 (Both sides) and M5×0.8 (Both sides)				
20 [0.787]	D1	—	12.2	M5×0.8	Depth10	4.5	5	M5×0.8	φ 4.3 (Thru hole) Counterbore φ 6.5 (Both sides) and M5×0.8 (Both sides)				
	D2	—	12.2	M6×1	Depth10	5	5	M5×0.8	φ 5.1 (Thru hole) Counterbore φ 8 (Both sides) and M6×1 (Both sides)				
32 [1.260]	D1	48.5	18.2	M8×1.25	Depth12	6	7.5	Rc1/8	φ 5.1 (Thru hole) Counterbore φ 8 (Both sides) and M6×1 (Both sides)				
	D2	56.5	18.2	M8×1.25	Depth12	6	7.5	Rc1/8	φ 6.9 (Thru hole) Counterbore φ 9.5 (Both sides) and M8×1.25 (Both sides)				
50 [1.969]	D1	70	24.8	M10×1.5	Depth15	7	9.5	Rc1/4	φ 6.9 (Thru hole) Counterbore φ 11 (Both sides) and M8×1.25 (Both sides)				
	D2	—	—	—	—	—	—	—	—				

Bore mm [in.]	Code	P <sub>2</sub>	P <sub>3</sub>	P <sub>4</sub>	R	S	T <sub>1</sub>	U	V	W	X	Y	Z	Appropriate through bolt
														φ 6.5 and M5×0.8
12 [0.472]	D1	Counterbore φ 6.5 and M5×0.8	9.5	4.5	—	25	16.3	R16	6	5	—	—	1	M3
	D2	Counterbore φ 6.5 and M5×0.8	9.5	4.5	—	29	19.8	R19	8	6	—	—	1	M3
16 [0.630]	D1	Counterbore φ 6.5 and M5×0.8	9.5	4.5	—	34	24	R22	10	8	—	—	1	M3
	D2	Counterbore φ 6.5 and M5×0.8	9.5	4.5	—	40	28	R25	12	10	—	—	1	M4
20 [0.787]	D1	Counterbore φ 6.5 and M5×0.8	9.5	4.5	—	44	34	R29.5	16	14	15	13.6	1	M4
	D2	Counterbore φ 8 and M6×1	11.5	5.5	—	52	40	R35	16	14	15	13.6	1.6	M5
25 [0.984]	D1	Counterbore φ 8 and M6×1	11.5	5.5	—	62	48	R41	20	17	21.6	19	1.6	M6
	D2	Counterbore φ 11 and M8×1.25	16.5	8.5	8	62	48	R41	20	17	21.6	19	1.6	M6

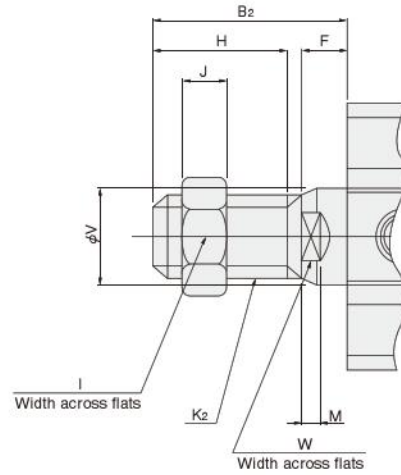
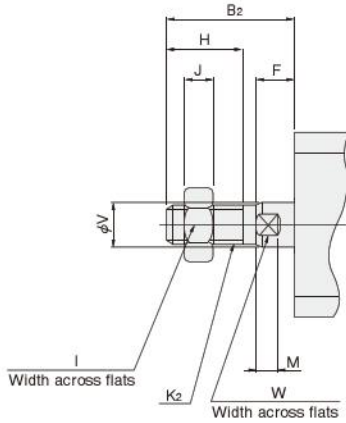
Notes: D1 is when stroke 1 + stroke2 is 5~15 (φ 50: 10~20) mm.  
D2 is when stroke 1 + stroke2 is 16~30 (φ 50: 21~40) mm.  
※ Some types of mounting screws are available (to be ordered separately). See p.209.

● Double acting type, Single acting push type

●  $\phi 12 \sim \phi 25$

●  $\phi 32 \sim \phi 100$

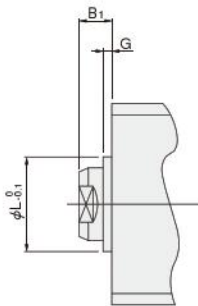
(Single acting type available up to  $\phi 50$ )



Bore mm [in.]	Code	B <sub>2</sub>	F	H	I	J	K <sub>2</sub>	M	V	W
12 [0.472]		17	5	10	8	4	M5×0.8	3.5	6	5
16 [0.630]		20.5	5.5	13	10	5	M6×1	3.5	8	6
20 [0.787]		22.5	5.5	15	12	5	M8×1	4.5	10	8
25 [0.984]		24	6	15	14	6	M10×1.25	5	12	10
32 [1.260]		35	7	25	19	8	M14×1.5	6	16	14
40 [1.575]		35	7	25	19	8	M14×1.5	6	16	14
50 [1.969]		37	9	25	27	11	M18×1.5	7	20	17
63 [2.480]		37	9	25	27	11	M18×1.5	7	20	17
80 [3.150]		44	11	30	32	13	M22×1.5	9	25	22
100 [3.940]		50	12	35	36	14	M26×1.5	9	32	27

Remark: Cylinder joints and cylinder rod ends are available for mounting with the rod end male thread specification. For details, see p.1568.

Dimensions of Centering Location (mm)



● Not available for bore size  $\phi 12$ .

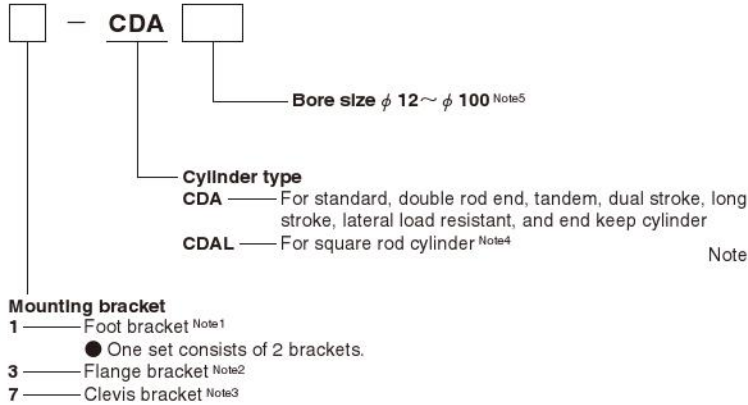
Bore mm [in.]	Code	B <sub>1</sub>	G	L
16 [0.630]		5.5	1.5	9.4
20 [0.787]		5.5	1.5	12
25 [0.984]		6	2	15
32 [1.260]		7	2	21
40 [1.575]		7	2	29
50 [1.969]		9	2	38
63 [2.480]		9	2	40
80 [3.150]		11	2	45
100 [3.940]		12	2	55

# JIG CYLINDERS C SERIES MOUNTING BRACKETS

Foot Mounting Bracket, Flange Mounting Bracket, Clevis Mounting Bracket



## Order Codes of Mounting Bracket Only



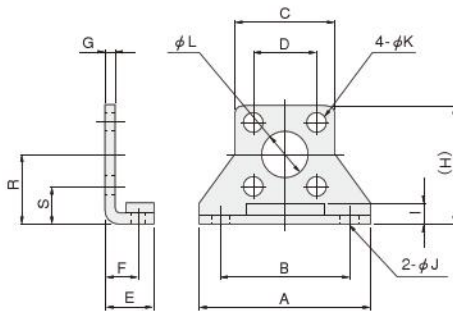
- Notes: 1. Cannot be mounted on tandem or dual stroke cylinders. And cannot be mounted on the 5mm strokes of  $\phi 16$  and  $\phi 25$ , and 10mm strokes of  $\phi 50$ ,  $\phi 63$ , and  $\phi 80$  of the standard cylinders.  
 2. Cannot be mounted on the head side of the tandem cylinder, cylinder 1 side of the dual stroke cylinder, the rod side of the square rod cylinder with centering location, or the bore size  $\phi 40$  with centering location (-G).  
 3. Cannot be used with anything other than the long stroke cylinder, the lateral load resistant cylinder, or the end keep cylinder.  
 4. Applicable to the foot mounting bracket only.  
 5. Not available for  $\phi 6$  [0.236in.],  $\phi 8$  [0.315in.], and  $\phi 10$  [0.394in.].

## Dimensions of Foot Mounting Bracket (mm)

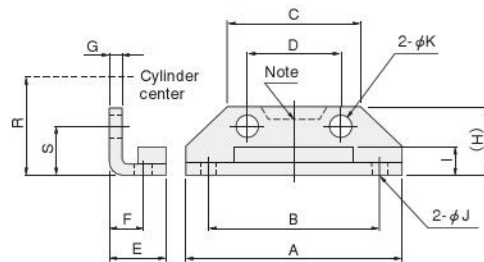


$\phi 12 \sim \phi 40$  : CDA-OP1,  $\phi 50 \sim \phi 100$  : CDA-OP2

### ● $\phi 12 \sim \phi 16$

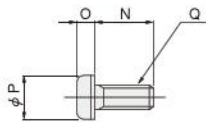


### ● $\phi 20 \sim \phi 100$

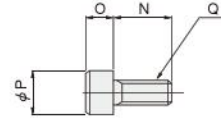


Note: Only for  $\phi 50$

### ● Mounting screw For $\phi 12 \sim \phi 80$



### For $\phi 100$



Bore mm [in.]	Code	Material: Steel																	Mass g [oz.]	
		A	B	C	D	E	F	G	H	I	J	K	L	N	O	P	Q	R		S
12 [0.472]		44	34	25	16.3	12.5	8	2	29.5	4.5	4.5	5.5	11	12	2.7	9.5	M5	17	8.9	50 [1.76]
16 [0.630]		48	38	29	19.8	13	8	2	33.5	4.5	4.5	5.5	11	12	2.7	9.5	M5	19	9.1	62 [2.19]
20 [0.787]		54	44	34	24	15	9.2	3.2	16.5	7	4.5	5.5	—	12 (12, 20)	2.7	9.5	M5	24	12	84 [2.96] (87 [3.07])
25 [0.984]		64	52	40	28	16.5	10.7	3.2	17.5	6	5.5	6.6	—	14 (14, 22)	3.3	10.5	M6	26	12	104 [3.67] (108 [3.81])
32 [1.260]		68	56	44	34	17	11.2	3.2	19	8	5.5	6.6	—	14 (14, 25)	3.3	10.5	M6	30	13	126 [4.44] (131 [4.62])
40 [1.575]		78	64	52	40	18.2	11.2	3.2	19	7	6.6	9	—	20 (20, 30)	4.4	14	M8	33	13	180 [5.64] (188 [5.93])
50 [1.969]		96	78	62	48	22.7	14.7	3.2	22	8	9	9	—	20 (20, 35)	4.4	14	M8	39	15	220 [7.76] (232 [8.18])
63 [2.480]		108	90	75	60	25.2	16.2	3.2	24	8.5	9	9	—	20 (20, 35)	4.4	14	M8	46	16	300 [10.58] (312 [11.01])
80 [3.150]		134	112	94	74	30.5	19.5	4.5	33	12	11	14	—	25	6.6	21	M12	59	22	644 [22.72]
100 [3.940]		160	134	114	90	35.5	23	6	40	14	14	16	—	30	14	21	M14	71	26	1172 [41.34]

Remark: Figures in parentheses ( ) are for square rod cylinders.  
 Two figures in parentheses ( ), Left side: for head side; Right side: for rod side

## Dimensions of Flange Mounting Bracket (mm)



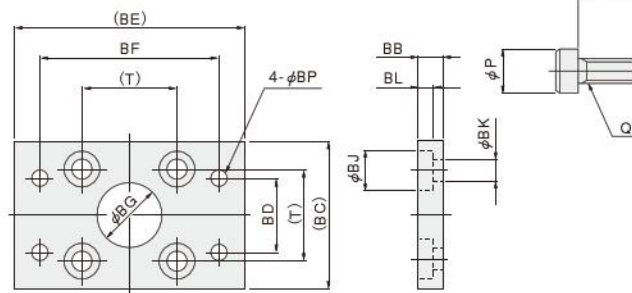
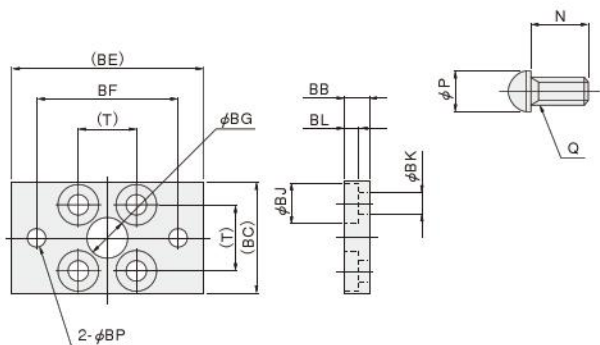
φ 12~φ 40 : CDA-OP3, φ 50~φ 100 : CDA-OP4

### ● φ 12~φ 16

### ● Mounting screw For φ 12~φ 80

### ● φ 20~φ 100

### ● Mounting screw For φ 100



Material: Steel

Bore mm [in.]	Code	N	P	Q	T	BB	BC	BD	BE	BF	BG	BJ	BK	BL	BP	Mass g [oz.]
12 [0.472]	12	9.5	M5	16.3	6	28	—	—	50	38	11	10	5.5	3.6	4.5	55 [1.94]
16 [0.630]	12	9.5	M5	19.8	6	32	—	—	54	42	11	10	5.5	3.6	4.5	71 [2.50]
20 [0.787]	12(18)	9.5	M5	24	6	36	24	—	58	46	15	10	5.5	3.6	4.5	101 [3.56] (105 [3.70])
25 [0.984]	14(22)	10.5	M6	28	8	42	28	—	68	54	17	11	6.6	4.3	5.5	160 [5.64] (165 [5.82])
32 [1.260]	14(25)	10.5	M6	34	8	48	34	—	72	58	22	11	6.6	4.3	5.5	186 [6.56] (196 [6.91])
40 [1.575]	20(30)	14	M8	40	8	58	40	—	84	68	28	15	9	5.3	6.6	335 [11.82] (351 [12.38])
50 [1.969]	20(35)	14	M8	48	8	66	40	—	102	82	38	15	9	5.3	9	447 [15.77] (471 [16.61])
63 [2.480]	20(35)	14	M8	60	8	78	50	—	116	96	40	15	9	5.3	9	591 [20.85] (615 [21.69])
80 [3.150]	25	21	M12	74	12	100	70	—	142	118	45	22	14	7.3	11	1414 [49.88]
100 [3.940]	30	21	M14	90	20	116	80	—	170	142	55	23	16	15.2	14	2606 [91.92]

Remark: Figures in parentheses ( ) are for square rod cylinders.

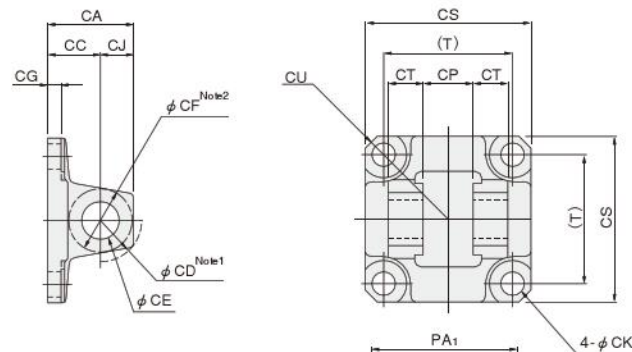
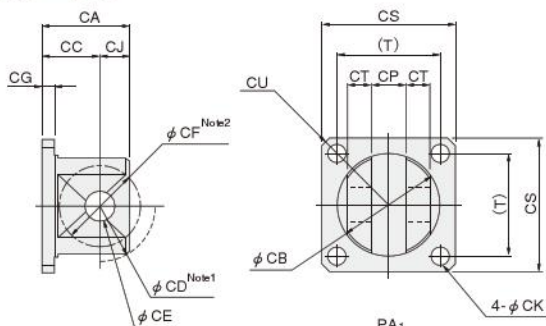
## Dimensions of Clevis Mounting Bracket (mm)



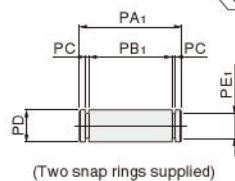
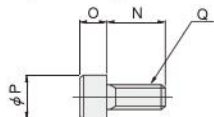
φ 12~φ 40 : CDA-OP5, φ 50~φ 100 : CDA-OP6

### ● φ 12~φ 40

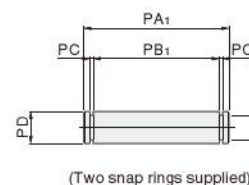
### ● φ 50~φ 100



### ● Mounting screw For φ 12~φ 100



(Two snap rings supplied)



(Two snap rings supplied)

Material: Steel

Bore mm [in.]	Code	N	O	P	Q	T	CA	CB	CC	CD	CE	CF	CG	CJ	CK	CP	CS	CT	CU	PA <sub>1</sub>	PB <sub>1</sub>	PC	PD	PE <sub>1</sub>	Mass g [oz.]
12 [0.472]	12	5	8.5	M5	16.3	15	12	11	R 7.5	4 <sup>+0.03</sup> <sub>0</sub>	R5	4	4	5.5	4 <sup>+0.2</sup> <sub>+0.1</sub>	25	3	R16	15	10.6	0.7	4 <sub>8</sub>	2.5	30 [1.06]	
16 [0.630]	12	5	8.5	M5	19.8	17	16	12	R10	5 <sup>+0.03</sup> <sub>0</sub>	R6	4	5	5.5	5 <sup>+0.2</sup> <sub>+0.1</sub>	29	3.5	R19	17	12.6	0.7	5 <sub>8</sub>	3	40 [1.41]	
20 [0.787]	12	5	8.5	M5	24	25	22	17	R14	8 <sup>+0.04</sup> <sub>0</sub>	R11	4	8	5.5	8 <sup>+0.4</sup> <sub>+0.2</sub>	34	5.2	R22	24.4	19.6	0.9	8 <sub>8</sub>	6	75 [2.65]	
25 [0.984]	16	6	10	M6	28	25	26	17	R16	8 <sup>+0.04</sup> <sub>0</sub>	R11	4	8	6.6	8 <sup>+0.4</sup> <sub>+0.2</sub>	40	5.2	R25	24.4	19.6	0.9	8 <sub>8</sub>	6	100 [3.53]	
32 [1.260]	16	6	10	M6	34	29	34	19	R20	10 <sup>+0.04</sup> <sub>0</sub>	R12.5	4	10	6.6	12 <sup>+0.4</sup> <sub>+0.2</sub>	44	8	R29.5	34	29.2	0.9	10 <sub>8</sub>	8	165 [5.82]	
40 [1.575]	20	8	13	M8	40	29	34	19	R20	10 <sup>+0.04</sup> <sub>0</sub>	R12.5	4	10	9	12 <sup>+0.4</sup> <sub>+0.2</sub>	52	8	R35	34	29.2	0.9	10 <sub>8</sub>	8	200 [7.05]	
50 [1.969]	22	8	13	M8	48	32	—	19	R17	14 <sup>+0.08</sup> <sub>0</sub>	R14	5	13	9 Counterbore φ 17	20 <sup>+0.6</sup> <sub>+0.3</sub>	63	12.5	R41.5	55	47	1.15	14 <sup>-0.030</sup> <sub>-0.070</sub>	13.4	315 [11.11]	
63 [2.480]	20	8	13	M8	60	32	—	19	R17	14 <sup>+0.08</sup> <sub>0</sub>	R14	6	13	9 Counterbore φ 20	20 <sup>+0.6</sup> <sub>+0.3</sub>	76	15	R50.5	60	52	1.15	14 <sup>-0.030</sup> <sub>-0.070</sub>	13.4	485 [17.46]	
80 [3.150]	30	12	18	M12	74	52	—	32	R24	20 <sup>+0.1</sup> <sub>0</sub>	R20	7	20	14 Counterbore φ 22	32 <sup>+0.6</sup> <sub>+0.3</sub>	95	16	R62.5	74	66	1.35	20 <sup>-0.040</sup> <sub>-0.084</sub>	19	1110 [39.15]	
100 [3.940]	30	14	21	M14	90	52	—	32	R24	20 <sup>+0.1</sup> <sub>0</sub>	R21	7	20	16 Counterbore φ 26	32 <sup>+0.6</sup> <sub>+0.3</sub>	115	16	R75.5	74	66	1.35	20 <sup>-0.040</sup> <sub>-0.084</sub>	19	1490 [52.56]	

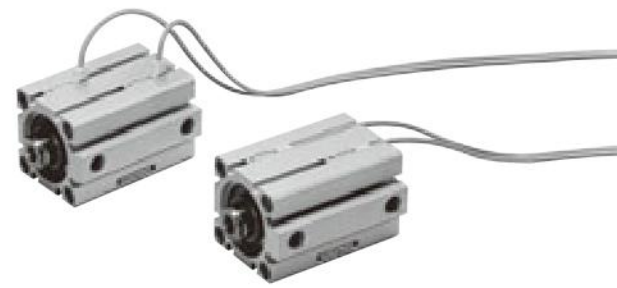
Notes: 1. CD = Swing range of clevis mounting bracket itself.

2. CF = Maximum radius of swing for mating bracket.

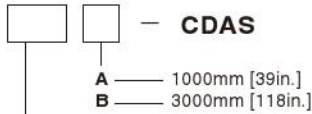
Remark: φ 12~φ 50 are mounted with 2 bolts.

# JIG CYLINDERS C SERIES SENSOR SWITCHES

Solid State Type, Reed Switch Type



## Order Codes

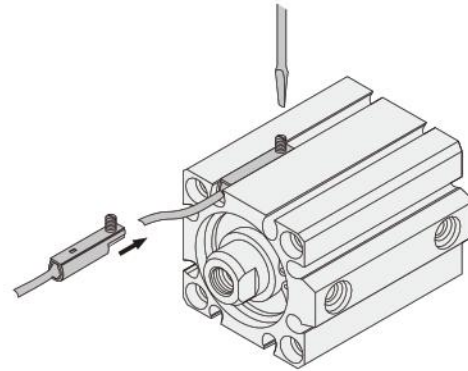


<b>ZE135</b>	Solid state type	with indicator lamp	DC10V~28V	Horizontal lead wire
<b>ZE235</b>	Solid state type	with indicator lamp	DC10V~28V	Vertical lead wire
<b>ZE101</b>	Reed switch type	without indicator lamp	DC5V~28V	Horizontal lead wire
			AC85~115V	
<b>ZE201</b>	Reed switch type	without indicator lamp	DC5V~28V	Vertical lead wire
			AC85~115V	
<b>ZE155</b>	Solid state type	with indicator lamp	DC4.5V~28V	Horizontal lead wire
<b>ZE255</b>	Solid state type	with indicator lamp	DC4.5V~28V	Vertical lead wire
<b>ZE102</b>	Reed switch type	with indicator lamp	DC10V~28V	Horizontal lead wire
			AC85~115V	
<b>ZE202</b>	Reed switch type	with indicator lamp	DC10V~28V	Vertical lead wire
			AC85~115V	

● For details of sensor switches, see p.1544.

## Moving Sensor Switch

- Loosening mounting screw allows the sensor switch to be moved along the switch mounting groove on the cylinder body.
- Tighten the mounting screw with a tightening torque of 0.1~0.2N·m [0.9~1.8in·lbf].



## Minimum Cylinder Strokes When Using Sensor Switches

### ● Solid state type

Bore size	2 pcs. mounting <sup>Note</sup>		1 pc. mounting
	1-surface mounting	2-surface mounting	
6~12 [0.236~0.472in.]	30	10	5
16~100 [0.630~3.940in.]	10		

Note: Two pieces can be mounted with 5mm stroke.  
Take note that overlapping may occur, however.

### ● Reed switch type

Bore size	2 pcs. mounting		1 pc. mounting
	1-surface mounting	2-surface mounting	
12 [0.472in.]	30	10	10
16~100 [0.630~3.940in.]	10		

## Sensor Switch Operating Range, Response Differential, and Maximum Sensing Location

### ● Operating range : $\ell$

The distance the piston travels in one direction, while the switch is in the ON position.

### ● Response differential : C

The distance between the point where the piston turns the switch ON and the point where the switch is turned OFF as the piston travels in the opposite direction.

### ● Solid state type

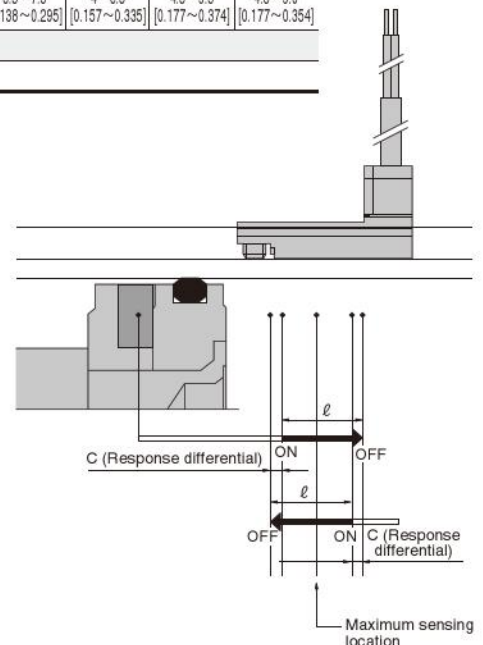
Item	Bore	6 [0.236]	8 [0.315]	10 [0.394]	12 [0.472]	16 [0.630]	20 [0.787]	25 [0.984]	32 [1.260]	40 [1.575]	50 [1.969]	63 [2.480]	80 [3.150]	100 [3.940]
Operating range : $\ell$		1.8~3.0 [0.071~0.118]	1.8~3.0 [0.071~0.118]	2.0~3.2 [0.079~0.126]	2~4 [0.079~0.157]	2~5 [0.079~0.197]	3.5~7.5 [0.138~0.295]	4~8 [0.157~0.315]	3~7 [0.118~0.276]	3.5~7.5 [0.138~0.295]	3.5~7.5 [0.138~0.295]	4~8.5 [0.157~0.335]	4.5~9.5 [0.177~0.374]	4.5~9.0 [0.177~0.354]
Response differential : C		0.2 [0.008] or less				0.5 [0.02] or less								
Maximum sensing location		6 [0.236]												

Remark: The above table shows reference values.

### ● Reed switch type

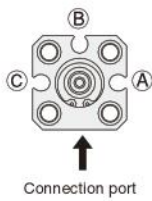
Item	Bore	12 [0.472]	16 [0.630]	20 [0.787]	25 [0.984]	32 [1.260]	40 [1.575]	50 [1.969]	63 [2.480]	80 [3.150]	100 [3.940]
Operating range : $\ell$		4.5~8.5 [0.177~0.335]	5.5~9.5 [0.217~0.374]	9~13.5 [0.354~0.531]	10~15.5 [0.394~0.610]	8~12 [0.315~0.472]	8.5~14 [0.335~0.551]	9~15 [0.354~0.591]	10~16 [0.394~0.630]	11~16 [0.433~0.630]	11~16.5 [0.433~0.650]
Response differential : C		1.0 [0.039] or less	2.0 [0.079] or less				3.0 [0.118] or less		2.5 [0.098] or less		
Maximum sensing location		10 [0.394]									

Remark: The above table shows reference values.

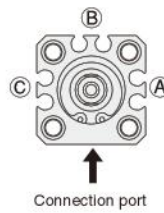


# Mounting Sensor Switch

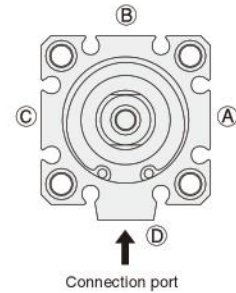
●  $\phi 6 \sim \phi 12$



●  $\phi 16$



●  $\phi 20 \sim \phi 100$



● The drawing is for  $\phi 32$ .

The standard mounting positions at shipping for the end of stroke detection on the rod side is either surface A or surface C, while the end of stroke detection on the head side is surface B. If mounting sensor switches on the same surface for detection of both ends is required, consult us. (The sensor switch may sometimes protrude from the cylinder body.)

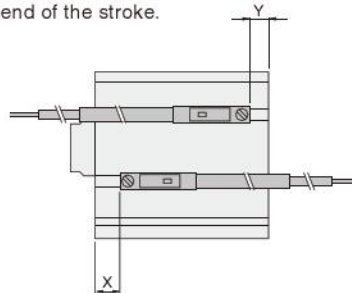
Mounting on any of surfaces A, B, or C allows detection of the end of stroke on the rod side and head side. (The sensor switch may sometimes protrude from the cylinder body.)

Mounting on any of surfaces A, B, C, or D allows detection of the end of stroke on the rod side and head side. (The sensor switch may sometimes protrude from the cylinder body.) However, the ZE2□ sensor switches cannot be mounted on the D position in  $\phi 32$ ,  $\phi 40$ , and  $\phi 50$ .

## Mounting Location of End of Stroke Detection Sensor Switch

When the sensor switch is mounted in the position shown in the diagram below (figures in the tables are reference values), the magnet reaches the sensor switch's maximum sensing location at the end of the stroke.

● Standard cylinder,  
Non-rotating cylinder



■ Solid state type

● Double acting type

mm [in.]

Code	Bore	6	8	10	12	16	20	25	32	40	50	63	80	100
X	Standard type	7.2 [0.283]	8 [0.315]	8.3 [0.327]	7 [0.276]	7 [0.276]	11 [0.433]	11 [0.433]	13.5 [0.531]	14.5 [0.571]	12.5 [0.492]	15 [0.591]	20 [0.787]	25 [0.984]
	With bumper (-R)	—	—	—	10 [0.394]	10 [0.394]	15 [0.591]	16 [0.630]	15.5 [0.610]	16.5 [0.650]	15.5 [0.610]	15 [0.591]	20 [0.787]	25 [0.984]
Y	Standard type	1 [0.039]	0.3 [0.012]	1 [0.039]	4 [0.157]	4 [0.157]	7.5 [0.295]	9 [0.354]	8.5 [0.335]	10.5 [0.413]	14.5 [0.571]	16 [0.630]	20 [0.787]	25 [0.984]
	With bumper (-R)	—	—	—	6 [0.236]	6 [0.236]	8.5 [0.335]	9 [0.354]	6.5 [0.256]	8.5 [0.335]	11.5 [0.453]	16 [0.630]	20 [0.787]	25 [0.984]

■ Reed switch type

● Double acting type

mm [in.]

Code	Bore	12	16	20	25	32	40	50	63	80	100
X	Standard type	2.5 [0.098]	2.5 [0.098]	6.5 [0.256]	6.5 [0.256]	9 [0.354]	10 [0.394]	8 [0.315]	10.5 [0.413]	15.5 [0.610]	20.5 [0.807]
	With bumper (-R)	5.5 [0.217]	5.5 [0.217]	10.5 [0.413]	11.5 [0.453]	11 [0.433]	12 [0.472]	11 [0.433]	10.5 [0.413]	15.5 [0.610]	20.5 [0.807]
Y	Standard type	-0.5 [-0.020]	-0.5 [-0.020]	3 [0.118]	4.5 [0.177]	4 [0.157]	6 [0.236]	10 [0.394]	11.5 [0.453]	15.5 [0.610]	20.5 [0.807]
	With bumper (-R)	1.5 [0.059]	1.5 [0.059]	4 [0.157]	4.5 [0.177]	2 [0.079]	4 [0.157]	7 [0.276]	11.5 [0.453]	15.5 [0.610]	20.5 [0.807]

● Single acting push type

mm [in.]

Code	Bore	6	8	10	12	16	20	25	32	40	50
X		17.2 [0.677]	18 [0.709]	18.3 [0.720]	15 [0.591]	15 [0.591]	14 [0.551]	14.5 [0.571]	15.5 [0.610]	17.5 [0.689]	17 [0.669]
Y		1 [0.039]	0.3 [0.012]	1 [0.039]	1 [0.039]	1 [0.039]	4.5 [0.177]	5.5 [0.217]	6.5 [0.256]	7.5 [0.295]	10.5 [0.413]

● Single acting push type

mm [in.]

Code	Bore	12	16	20	25	32	40	50
X		10.5 [0.413]	10.5 [0.413]	9.5 [0.374]	10 [0.394]	11 [0.433]	13 [0.512]	12.5 [0.492]
Y		-3.5 [-0.138]	-3.5 [-0.138]	0 [0]	1 [0.039]	2 [0.079]	3 [0.118]	6 [0.236]

● Single acting pull type

mm [in.]

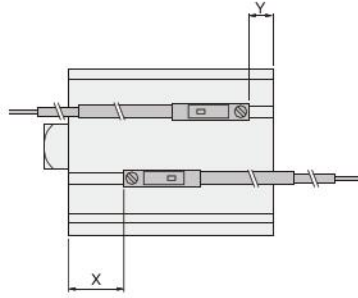
Code	Bore	6	8	10	12	16	20	25	32	40	50
X		7.2 [0.283]	8 [0.315]	8.3 [0.327]	7 [0.276]	7 [0.276]	11 [0.433]	11 [0.433]	13.5 [0.531]	14.5 [0.571]	12.5 [0.492]
Y		11 [0.433]	10.3 [0.406]	11 [0.433]	9 [0.354]	9 [0.354]	12.5 [0.492]	14 [0.551]	13.5 [0.531]	15.5 [0.610]	14.5 [0.571]

● Single acting pull type

mm [in.]

Code	Bore	12	16	20	25	32	40	50
X		2.5 [0.098]	2.5 [0.098]	6.5 [0.256]	6.5 [0.256]	9 [0.354]	10 [0.394]	8 [0.315]
Y		4.5 [0.177]	4.5 [0.177]	8 [0.315]	9.5 [0.374]	9 [0.354]	11 [0.433]	10 [0.394]

● Square rod cylinders with magnet



■ Solid state type

● Double acting type

mm [in.]

Code \ Bore		20	25	32	40	50	63
X	Standard type	17.5 [0.689]	17.5 [0.689]	22.5 [0.886]	24.5 [0.965]	27.5 [1.083]	30 [1.181]
	With bumper (-R)	21.5 [0.846]	22.5 [0.886]	24.5 [0.965]	26.5 [1.043]	30.5 [1.201]	30 [1.181]
Y	Standard type	10 [0.394]	9 [0.354]	14 [0.551]	14.5 [0.571]	14.5 [0.571]	16 [0.630]
	With bumper (-R)	8.5 [0.335]	9 [0.354]	6.5 [0.256]	8.5 [0.335]	11.5 [0.453]	16 [0.630]

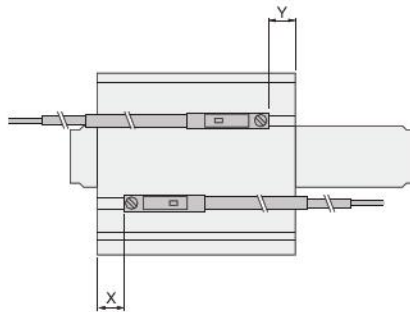
■ Reed switch type

● Double acting type

mm [in.]

Code \ Bore		20	25	32	40	50	63
X	Standard type	13 [0.512]	13 [0.512]	18 [0.709]	20 [0.787]	23 [0.906]	25.5 [1.004]
	With bumper (-R)	17 [0.669]	18 [0.709]	20 [0.787]	22 [0.866]	26 [1.024]	25.5 [1.004]
Y	Standard type	5 [0.197]	4.5 [0.177]	4 [0.157]	6 [0.236]	10 [0.394]	11.5 [0.453]
	With bumper (-R)	4 [0.157]	4.5 [0.177]	2 [0.079]	4 [0.157]	7 [0.276]	11.5 [0.453]

● Double rod cylinders with magnet



■ Solid state type

● Double acting type

mm [in.]

Code \ Bore		6	8	10	12	16	20	25	32	40	50	63	80	100
X	Standard type	7.2 [0.283]	8 [0.315]	8.3 [0.327]	7 [0.276]	7 [0.276]	11 [0.433]	11 [0.433]	13.5 [0.531]	14.5 [0.571]	12.5 [0.492]	15.5 [0.610]	20.5 [0.807]	25 [0.984]
	With bumper (-R)	—	—	—	10 [0.394]	10 [0.394]	15 [0.591]	16 [0.630]	15.5 [0.610]	16.5 [0.650]	14 [0.551]	15 [0.591]	20.5 [0.807]	25 [0.984]
Y	Standard type	5.5 [0.217]	5.8 [0.228]	6 [0.236]	10 [0.394]	10 [0.394]	14 [0.551]	14.5 [0.571]	15.5 [0.610]	17.5 [0.689]	16.5 [0.650]	18 [0.709]	26.5 [1.043]	31.5 [1.240]
	With bumper (-R)	—	—	—	12 [0.472]	12 [0.472]	15 [0.591]	14.5 [0.571]	6.5 [0.256]	15.5 [0.610]	15 [0.591]	18 [0.709]	26.5 [1.043]	31.5 [1.240]

■ Reed switch type

● Double acting type

mm [in.]

Code \ Bore		12	16	20	25	32	40	50	63	80	100
X	Standard type	2.5 [0.098]	2.5 [0.098]	6.5 [0.256]	6.5 [0.256]	9 [0.354]	10 [0.394]	8 [0.315]	10.5 [0.413]	16 [0.630]	20.5 [0.807]
	With bumper (-R)	5.5 [0.217]	5.5 [0.217]	10.5 [0.413]	11.5 [0.453]	11 [0.433]	12 [0.472]	9.5 [0.374]	10.5 [0.413]	16 [0.630]	20.5 [0.807]
Y	Standard type	5.5 [0.217]	5.5 [0.217]	9.5 [0.374]	10 [0.394]	11 [0.433]	13 [0.512]	12 [0.472]	13.5 [0.531]	22 [0.866]	27 [1.063]
	With bumper (-R)	7.5 [0.295]	7.5 [0.295]	10.5 [0.413]	10 [0.394]	2 [0.079]	11 [0.433]	10.5 [0.413]	13.5 [0.531]	22 [0.866]	27 [1.063]

● Single acting type

mm [in.]

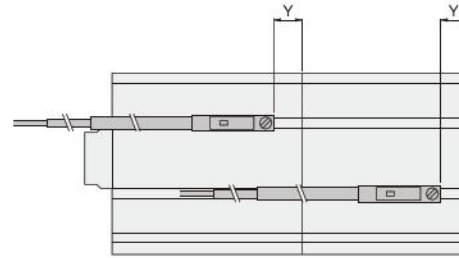
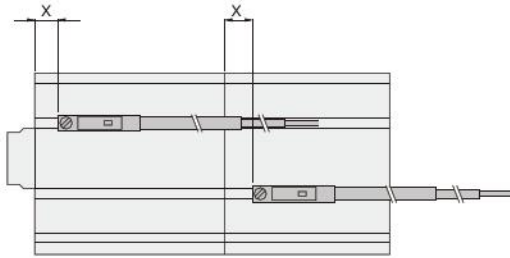
Code \ Bore		12	16	20	25	32	40	50
X		15 [0.591]	15 [0.591]	14 [0.551]	14.5 [0.571]	15.5 [0.610]	17.5 [0.689]	16.5 [0.650]
Y		7 [0.276]	7 [0.276]	11 [0.433]	11 [0.433]	13.5 [0.531]	14.5 [0.571]	12.5 [0.492]

● Single acting type

mm [in.]

Code \ Bore		12	16	20	25	32	40	50
X		10.5 [0.413]	10.5 [0.413]	9.5 [0.374]	10 [0.394]	11 [0.433]	13 [0.512]	12 [0.472]
Y		2.5 [0.098]	2.5 [0.098]	6.5 [0.256]	6.5 [0.256]	9 [0.354]	10 [0.394]	8 [0.315]

● Tandem cylinders with magnet



■ Solid state type

● Double acting type

mm [in.]

Code	Bore	12	16	20	25	32	40	50	63	80	100
X	Standard type	7 [0.276]	7 [0.276]	11 [0.433]	11 [0.433]	13.5 [0.531]	14.5 [0.571]	12.5 [0.492]	15 [0.591]	20 [0.787]	25 [0.984]
	With bumper (-R)	10 [0.394]	10 [0.394]	15 [0.591]	16 [0.630]	15.5 [0.610]	16.5 [0.650]	15.5 [0.610]	15 [0.591]	20 [0.787]	25 [0.984]
Y	Standard type	4 [0.157]	4 [0.157]	7.5 [0.295]	9 [0.354]	8.5 [0.335]	10.5 [0.413]	14.5 [0.571]	16 [0.630]	20 [0.787]	25 [0.984]
	With bumper (-R)	6 [0.236]	6 [0.236]	8.5 [0.335]	9 [0.354]	6.5 [0.256]	8.5 [0.335]	11.5 [0.453]	16 [0.630]	20 [0.787]	25 [0.984]

● Single acting push type

mm [in.]

Code	Bore	12	16	20	25	32	40	50
X		15 [0.591]	15 [0.591]	14 [0.551]	14.5 [0.571]	15.5 [0.610]	17.5 [0.689]	16.5 [0.650]
Y		1 [0.039]	1 [0.039]	4.5 [0.177]	5.5 [0.217]	6.5 [0.256]	7.5 [0.295]	10.5 [0.413]

■ Reed switch type

● Double acting type

mm [in.]

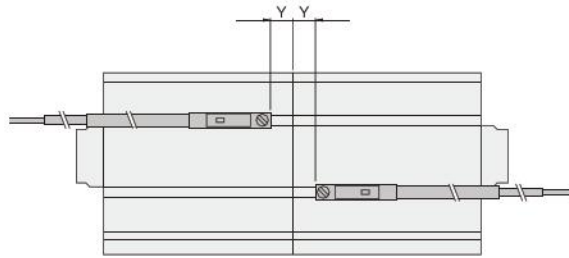
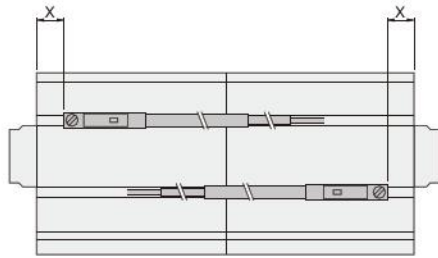
Code	Bore	12	16	20	25	32	40	50	63	80	100
X	Standard type	2.5 [0.098]	2.5 [0.098]	6.5 [0.256]	6.5 [0.256]	9 [0.354]	10 [0.394]	8 [0.315]	10.5 [0.413]	15.5 [0.610]	20.5 [0.807]
	With bumper (-R)	5.5 [0.217]	5.5 [0.217]	10.5 [0.413]	11.5 [0.453]	11 [0.433]	12 [0.472]	11 [0.433]	10.5 [0.413]	15.5 [0.610]	20.5 [0.807]
Y	Standard type	-0.5 [-0.020]	-0.5 [-0.020]	3 [0.118]	4.5 [0.177]	4 [0.157]	6 [0.236]	10 [0.394]	11.5 [0.453]	15.5 [0.610]	20.5 [0.807]
	With bumper (-R)	1.5 [0.059]	1.5 [0.059]	4 [0.157]	4.5 [0.177]	2 [0.079]	4 [0.157]	7 [0.276]	11.5 [0.453]	15.5 [0.610]	20.5 [0.807]

● Single acting push type

mm [in.]

Code	Bore	12	16	20	25	32	40	50
X		10.5 [0.413]	10.5 [0.413]	9.5 [0.374]	10 [0.394]	11 [0.433]	13 [0.512]	12 [0.472]
Y		-3.5 [-0.138]	-3.5 [-0.138]	0 [0]	1 [0.039]	2 [0.079]	3 [0.118]	6 [0.236]

## ● Dual stroke cylinders with magnet



### ■ Solid state type

#### ● Double acting type

mm [in.]

Code	Bore	12	16	20	25	32	40	50	63	80	100
X	Standard type	7 [0.276]	7 [0.276]	11 [0.433]	11 [0.433]	13.5 [0.531]	14.5 [0.571]	12.5 [0.492]	15 [0.591]	20 [0.787]	25 [0.984]
	With bumper (-R)	10 [0.394]	10 [0.394]	15 [0.591]	16 [0.630]	15.5 [0.610]	16.5 [0.650]	14 [0.551]	15 [0.591]	20 [0.787]	25 [0.984]
Y	Standard type	4 [0.157]	4 [0.157]	7.5 [0.295]	9 [0.354]	8.5 [0.335]	10.5 [0.413]	14.5 [0.571]	16 [0.630]	20 [0.787]	25 [0.984]
	With bumper (-R)	6 [0.236]	6 [0.236]	8.5 [0.335]	9 [0.354]	6.5 [0.256]	8.5 [0.335]	13.5 [0.531]	16 [0.630]	20 [0.787]	25 [0.984]

#### ● Single acting push type

mm [in.]

Code	Bore	12	16	20	25	32	40	50
X	15 [0.591]	15 [0.591]	14 [0.551]	14.5 [0.571]	15.5 [0.610]	17.5 [0.689]	16.5 [0.650]	
Y	1 [0.039]	1 [0.039]	7.5 [0.295]	5.5 [0.217]	6.5 [0.256]	7.5 [0.295]	10.5 [0.413]	

#### ● Single acting pull type

mm [in.]

Code	Bore	12	16	20	25	32	40	50
X	7 [0.276]	7 [0.276]	11 [0.433]	11 [0.433]	13.5 [0.531]	14.5 [0.571]	12.5 [0.492]	
Y	9 [0.354]	9 [0.354]	12.5 [0.492]	14 [0.551]	13.5 [0.531]	15.5 [0.610]	14.5 [0.571]	

### ■ Reed switch type

#### ● Double acting type

mm [in.]

Code	Bore	12	16	20	25	32	40	50	63	80	100
X	Standard type	2.5 [0.098]	2.5 [0.098]	6.5 [0.256]	6.5 [0.256]	9 [0.354]	10 [0.394]	8 [0.315]	10.5 [0.413]	15.5 [0.610]	20.5 [0.807]
	With bumper (-R)	5.5 [0.217]	5.5 [0.217]	10.5 [0.413]	11.5 [0.453]	11 [0.433]	12 [0.472]	9.5 [0.374]	10.5 [0.413]	15.5 [0.610]	20.5 [0.807]
Y	Standard type	-0.5 [-0.020]	-0.5 [-0.020]	3 [0.118]	4.5 [0.177]	4 [0.157]	6 [0.236]	10 [0.394]	11.5 [0.453]	15.5 [0.610]	20.5 [0.807]
	With bumper (-R)	1.5 [0.059]	1.5 [0.059]	4 [0.157]	4.5 [0.177]	2 [0.079]	4 [0.157]	9 [0.354]	11.5 [0.453]	15.5 [0.610]	20.5 [0.807]

#### ● Single acting push type

mm [in.]

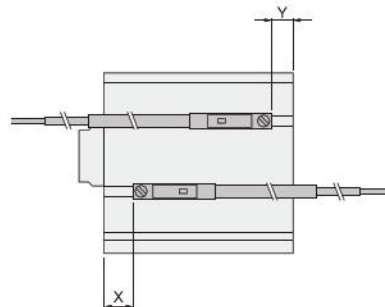
Code	Bore	12	16	20	25	32	40	50
X	10.5 [0.413]	10.5 [0.413]	9.5 [0.374]	10 [0.394]	11 [0.433]	13 [0.512]	12 [0.472]	
Y	-3.5 [-0.138]	-3.5 [-0.138]	3 [0.118]	1 [0.039]	2 [0.079]	3 [0.118]	6 [0.236]	

#### ● Single acting pull type

mm [in.]

Code	Bore	12	16	20	25	32	40	50
X	2.5 [0.098]	2.5 [0.098]	6.5 [0.256]	6.5 [0.256]	9 [0.354]	10 [0.394]	8 [0.315]	
Y	4.5 [0.177]	4.5 [0.177]	8 [0.315]	9.5 [0.374]	9 [0.354]	11 [0.433]	10 [0.394]	

## ● Lateral load resistant cylinders with magnet



### ■ Solid state type

#### ● Double acting type

mm [in.]

Code	Bore	12	16	20	25	32	40	50	63	80	100
X	10 [0.394]	10 [0.394]	15 [0.591]	16 [0.630]	15.5 [0.610]	16.5 [0.650]	15.5 [0.610]	17.5 [0.689]	26.5 [1.043]	31.5 [1.240]	
Y	6 [0.236]	6 [0.236]	8.5 [0.335]	9 [0.354]	6.5 [0.256]	8.5 [0.335]	11.5 [0.453]	13.5 [0.531]	18.5 [0.728]	23.5 [0.925]	

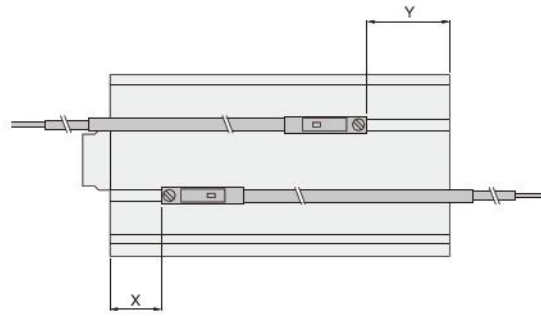
### ■ Reed switch type

#### ● Double acting type

mm [in.]

Code	Bore	12	16	20	25	32	40	50	63	80	100
X	5.5 [0.217]	5.5 [0.217]	10.5 [0.413]	11.5 [0.453]	11 [0.433]	12 [0.472]	11 [0.433]	13 [0.512]	22 [0.866]	27 [1.063]	
Y	1.5 [0.059]	1.5 [0.059]	4 [0.157]	4.5 [0.177]	2 [0.079]	4 [0.157]	7 [0.276]	9 [0.354]	14 [0.551]	19 [0.748]	

● Long stroke cylinders with magnet



■ Solid state type

● Double acting type

mm [in.]

Code \ Bore	12	16	20	25	32	40	50	63	80	100
<b>X</b>	15 [0.591]	15 [0.591]	20 [0.787]	21 [0.827]	20.5 [0.807]	21.5 [0.846]	20.5 [0.807]	22.5 [0.886]	31.5 [1.240]	36.5 [1.437]
<b>Y</b>	12 [0.472]	12 [0.472]	15 [0.591]	14.5 [0.571]	13.5 [0.531]	15.5 [0.610]	12.5 [0.492]	13.5 [0.531]	18.5 [0.728]	23.5 [0.925]

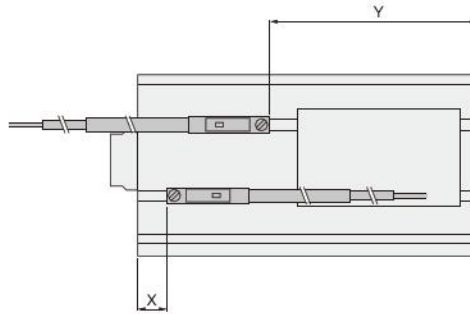
■ Reed switch type

● Double acting type

mm [in.]

Code \ Bore	12	16	20	25	32	40	50	63	80	100
<b>X</b>	10.5 [0.413]	10.5 [0.413]	15.5 [0.610]	16.5 [0.650]	16 [0.630]	17 [0.669]	16 [0.630]	18 [0.709]	27 [1.063]	32 [1.260]
<b>Y</b>	7.5 [0.295]	7.5 [0.295]	10.5 [0.413]	10 [0.394]	9 [0.354]	11 [0.433]	8 [0.315]	9 [0.354]	14 [0.551]	19 [0.748]

● End keep cylinder with magnet



■ Solid state type

● Head side end keep

mm [in.]

Code \ Bore	16	20	25	32	40	50	63
<b>X</b>	15.5 [0.610]	20.5 [0.807]	21.5 [0.846]	20.5 [0.807]	21.5 [0.846]	20.5 [0.807]	22.5 [0.886]
<b>Y</b>	36.5 [1.437]	34.5 [1.358]	34.5 [1.358]	43.5 [1.713]	45.5 [1.791]	51.5 [2.028]	54.5 [2.146]

■ Solid state type

● Rod side end keep

mm [in.]

Code \ Bore	16	20	25	32	40	50	63
<b>X</b>	35.5 [1.398]	35.5 [1.398]	36.5 [1.437]	45.5 [1.791]	46.5 [1.831]	55.5 [2.185]	57.5 [2.264]
<b>Y</b>	11.5 [0.453]	14.5 [0.571]	14.5 [0.571]	13.5 [0.531]	15.5 [0.610]	11.5 [0.453]	13.5 [0.531]

■ Reed switch type

● Head side end keep

mm [in.]

Code \ Bore	16	20	25	32	40	50	63
<b>X</b>	11 [0.433]	16 [0.630]	17 [0.669]	16 [0.630]	17 [0.669]	16 [0.630]	16 [0.630]
<b>Y</b>	32 [1.260]	30 [1.181]	30 [1.181]	39 [1.535]	41 [1.614]	47 [1.850]	50 [1.969]

■ Reed switch type

● Rod side end keep

mm [in.]

Code \ Bore	16	20	25	32	40	50	63
<b>X</b>	31 [1.220]	31 [1.220]	32 [1.260]	41 [1.614]	42 [1.654]	51 [2.008]	53 [2.087]
<b>Y</b>	7 [0.276]	10 [0.394]	10 [0.394]	9 [0.354]	11 [0.433]	7 [0.276]	9 [0.354]

# Handling Instructions and Precautions

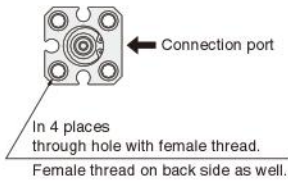
## Body mounting

Jig cylinder mounting holes include both through holes with female mounting thread, and dedicated female mounting threads, for a variety of mountings. For details, see the diagrams below.

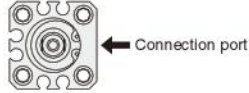
### Standard cylinders, Double rod cylinders

- Standard cylinders
- Long stroke cylinders

●  $\phi 6 \sim \phi 12$

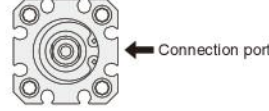


●  $\phi 16$



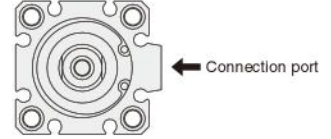
- Double rod cylinders
- End keep cylinders

●  $\phi 20, \phi 25$



- Lateral load resistant cylinders

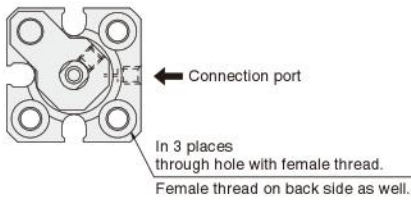
●  $\phi 32 \sim \phi 100$



Remark: Mounting methods are the same regardless of bore sizes.

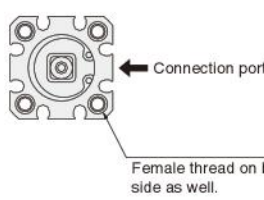
### Non-rotating cylinders

- $\phi 6, \phi 8, \phi 10$

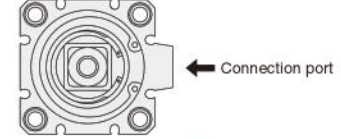


### Square rod cylinders

- $\phi 20, \phi 25$



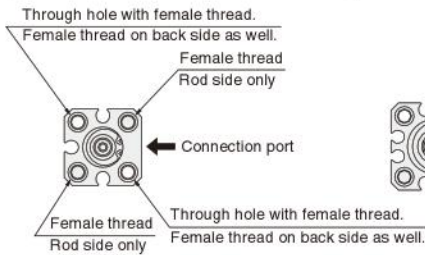
- $\phi 32 \sim \phi 63$



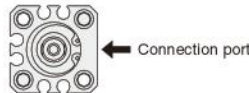
Remark: Mounting methods are the same regardless of bore sizes. However, the mounting method for "with centering location" differs from the figure above. See p.153.

### Tandem cylinders

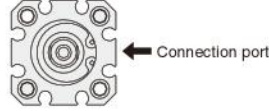
- $\phi 12$



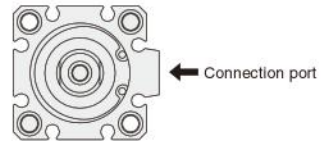
- $\phi 16$



- $\phi 20, \phi 25$



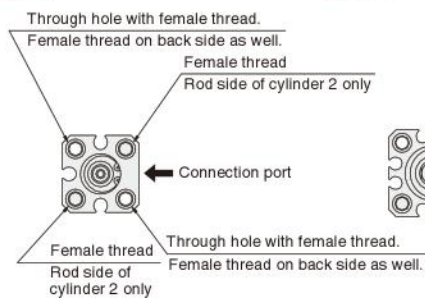
- $\phi 32 \sim \phi 100$



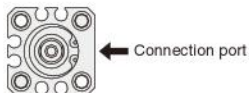
Remark: Mounting methods are the same regardless of bore sizes.

### Dual stroke cylinders

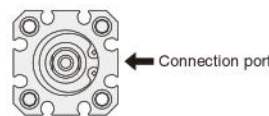
- $\phi 12$



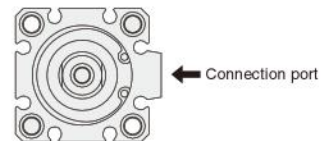
- $\phi 16$



- $\phi 20, \phi 25$



- $\phi 32 \sim \phi 100$



Remark: Mounting methods are the same regardless of bore sizes.

- Notes: 1. Avoid applying lateral loads on the piston rod, with the exception of Lateral load resistant cylinders, Long stroke cylinders, and End keep cylinders.  
 2. When using through holes for mounting, always use the supplied dedicated washers. (except  $\phi 6, \phi 8,$  and  $\phi 10$ )  
 3. Mount an external stopper, etc., to prevent the cylinder from being subjected to direct shocks during operation.

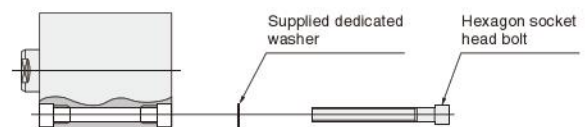
### Tightening thread of the end of piston rod

Since a tool (thin wrench) has been prepared for holding the piston rod when tightening the rod end thread, consult us.

Order code: L115069



- Always use the supplied dedicated washer whenever using a through bolt to directly mount the cylinder body in place.\* Use the bolts shown in the table below to mount in place. And for bolts used for direct mounting, see p.209.



\*Washer not available for bore sizes  $\phi 6, \phi 8,$  and  $\phi 10$ .

Bore size mm [in.]	6	8	10	12	16	20	25	32	40	50	63	80	100
	[0.236]	[0.315]	[0.394]	[0.472]	[0.630]	[0.787]	[0.984]	[1.260]	[1.575]	[1.969]	[2.480]	[3.150]	[3.940]
Hexagon socket head bolt nominal size	M3	M3	M3	M3	M3	M3	M4	M4	M5	M6	M6	M8	M10

**Bracket mounting**

- Foot mounting brackets cannot be installed on tandem cylinders and dual stroke cylinders.
- Flange mounting brackets cannot be installed on the head side of tandem cylinders and the stroke 1 side of dual stroke cylinders.
- Clevis mounting brackets cannot be installed on anything except for lateral load resistant cylinders, long stroke cylinders, and end keep cylinders.

**Non-standard stroke**

- In most cases, body cutting is used for the manufacturing for non-standard strokes. However, body cutting is not used for strokes of less than 5mm for  $\phi 12$  [0.472in.]~ $\phi 40$  [1.575in.], and strokes of less than 10mm for  $\phi 50$  [1.969in.]~ $\phi 100$  [3.940in.]. The collar packed is used for these cases. Moreover, sizes  $\phi 6$  [0.236in.]~ $\phi 10$  [0.394in.] are collar packed only. For delivery, consult us. Rod side end keep cylinders cannot be collar packed.
- Dimensions
  1. Additional strokes obtained by body cutting remain classed as non-standard strokes.
  2. Additional strokes obtained by collar packed are classed as standard strokes in the longer one.

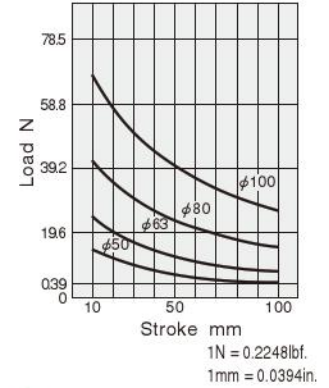
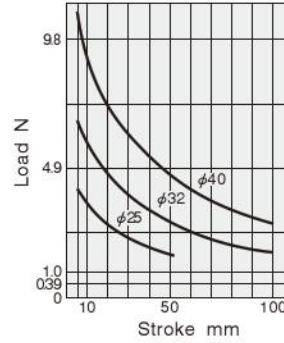
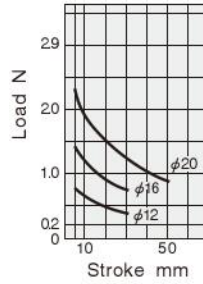
**Lateral Load**

- Keep the lateral load on the rod end of the lateral load resistant cylinder, long stroke cylinder, and end keep cylinder, at or below the values shown in the graphs below.  
Note: Avoid applying lateral load on any cylinder types other than the lateral load resistant cylinder, long stroke cylinder, and end keep cylinder.

**● Lateral load resistant cylinders**

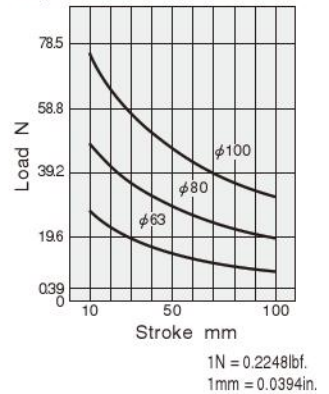
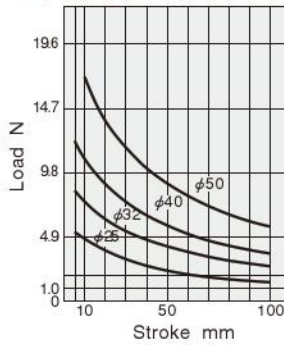
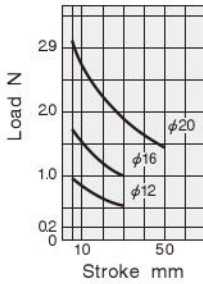
**● Standard type (CBDA)**

- $\phi 12$  [0.472in.]~ $\phi 20$  [0.787in.]
- $\phi 25$  [0.984in.]~ $\phi 40$  [1.575in.]
- $\phi 50$  [1.969in.]~ $\phi 100$  [3.940in.]



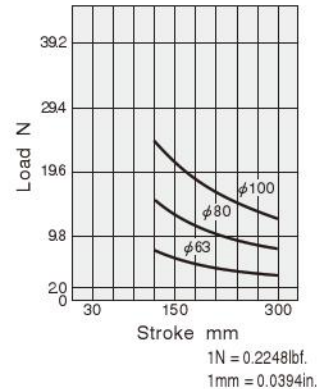
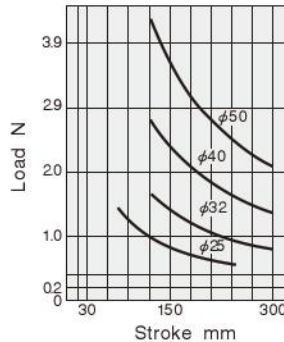
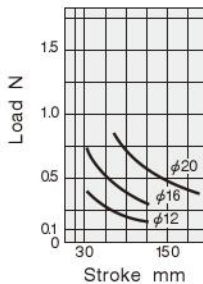
**● Cylinder with magnet (CBDAS)**

- $\phi 12$  [0.472in.]~ $\phi 20$  [0.787in.]
- $\phi 25$  [0.984in.]~ $\phi 50$  [1.969in.]
- $\phi 63$  [2.480in.]~ $\phi 100$  [3.940in.]



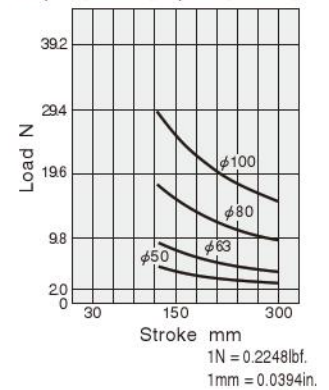
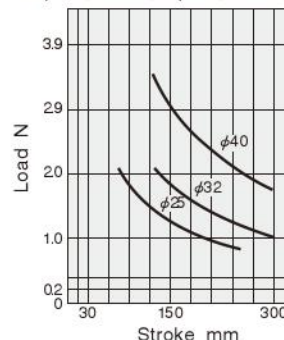
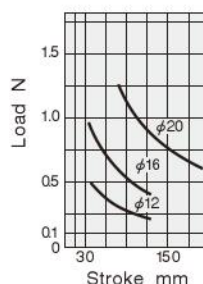
**● Long stroke cylinders, End keep cylinders**

- Standard type (CCDA,CCDAK)
- $\phi 12$  [0.472in.]~ $\phi 20$  [0.787in.]
- $\phi 25$  [0.984in.]~ $\phi 50$  [1.969in.]
- $\phi 63$  [2.480in.]~ $\phi 100$  [3.940in.]



**● Cylinder with magnet (CCDAS, CCDAKS)**

- $\phi 12$  [0.472in.]~ $\phi 20$  [0.787in.]
- $\phi 25$  [0.984in.]~ $\phi 40$  [1.575in.]
- $\phi 50$  [1.969in.]~ $\phi 100$  [3.940in.]



## Handling Instructions and Precautions

### Single acting cylinders

Standard cylinders single acting push type  
Standard cylinders single acting pull type  
Double rod cylinders single acting type  
Tandem cylinders single acting push type  
Dual stroke cylinders single acting push type  
Dual stroke cylinders single acting pull type

If in the above types' application, air is being continuously applied from a connection port, and the spring remains in a compressed state for long periods of time, the piston may sometimes fail to return to its original position even after the air is exhausted. If equipment is to be used in this way over long periods of time, consult us.

### End keep cylinder

#### ● Control circuit

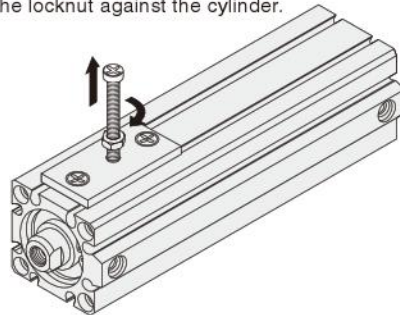
1. For control of Jig end keep cylinders, we recommend the use of 2-position, 4-, 5-port valves. Avoid the use of a control circuit of ABR connections (exhaust centers) with 3-position valves that exhaust air from 2 ports.
2. Always use meter-out control for speed control. Meter-in control may result in failure of the locking mechanism to release.

Notes: 1. It is dangerous to supply air to a connection port on a side with a locking mechanism while already exhausted, because the piston rod could suddenly extend (retract). In addition, it could also cause galling of the lock piston and piston rod, resulting in defective operation. Always supply air to the connection port on the opposite side to ensure back pressure is applied.

2. When restarting operations after air has been exhausted from the cylinder due to completion of operations or to an emergency stop, always start by supplying air to the connection port on the opposite side of the locking mechanism.
3. Connect the valve port A (NC) to the connection port on the side with the locking mechanism.

#### ● Manual operation of the locking mechanism

While the locking mechanism is normally released automatically through cylinder operations, it can also be released manually. For manual release, insert an M3 × 0.5 screw that has 30mm [1.18in.] below head length into the manual override opening, thread it in about 3 turns into the internal lock piston, and then pull up the screw. To maintain the manual override for adjustment, etc., thread the locknut onto the screw and, with the locking mechanism in a released state, tighten the locknut against the cylinder.



Notes: 1. It is dangerous to release the lock when a load (weight) is present on the piston rod, because it may cause a sudden fall or cause the unintended piston rod's extension (retraction). In this case, always supply air to the connection port opposite the one adjacent to the locking mechanism before releasing the locking mechanism.

2. If the locking mechanism cannot easily be released even with manual override, it could be the result of galling of the lock piston and piston rod. In this case, supply air to the connection port opposite the one adjacent to the locking mechanism before releasing the locking mechanism.
3. Because water, oil, dust, etc., entering via the manual override opening could be a cause of defective locking or other erratic operation, use a cover, etc., for protection when using in locations subject to dripping water, dripping oil, or to large amounts of dust, etc.

### Sensor switch

In the standard cylinder, a magnet for the sensor switch is not built-in.

To install a sensor switch, a cylinder with a built-in magnet for the sensor switch is required.

Notes: 1. For the sensor switch mounting location and moving ranges, see p.199.  
2. Contact protection measures are required for connecting inductive loads to reed sensor switches or for when capacitive surges are generated. For contact protection measures, see p.1566.

### Piping

Always thoroughly blow off (use compressed air) the tubing before connecting it to the cylinder. Entering chips, sealing tape, rust, etc., generated during piping work could result in air leaks or other defective operation.

### Atmosphere

1. If using in locations subject to dripping water, dripping oil, etc., or to large amounts of dust, use a cover to protect the unit.
2. The product cannot be used when the media or ambient atmosphere contains any of the substances listed below.  
Organic solvents, phosphate ester type hydraulic oil, sulphur dioxide, chlorine gas, or acids, etc.

### Lubrication

The product can be used without lubrication, if lubrication is required, use Turbine Oil Class 1 (ISO VG32) or equivalent.

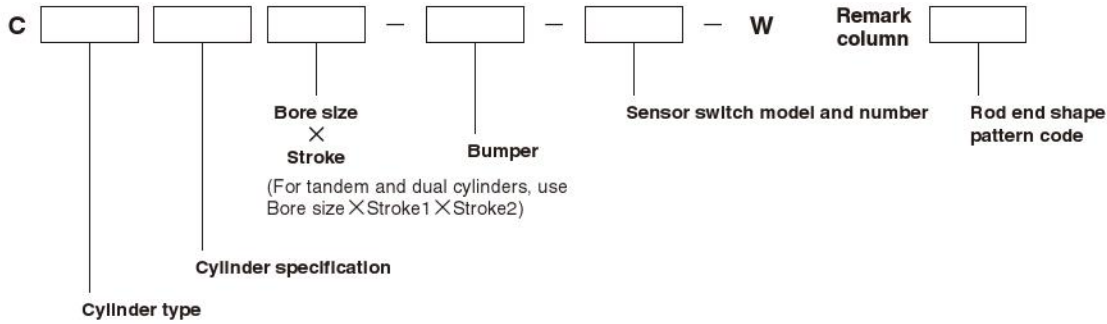
Avoid using spindle oil or machine oil.

# OPTIONAL ROD END SHAPE PATTERNS

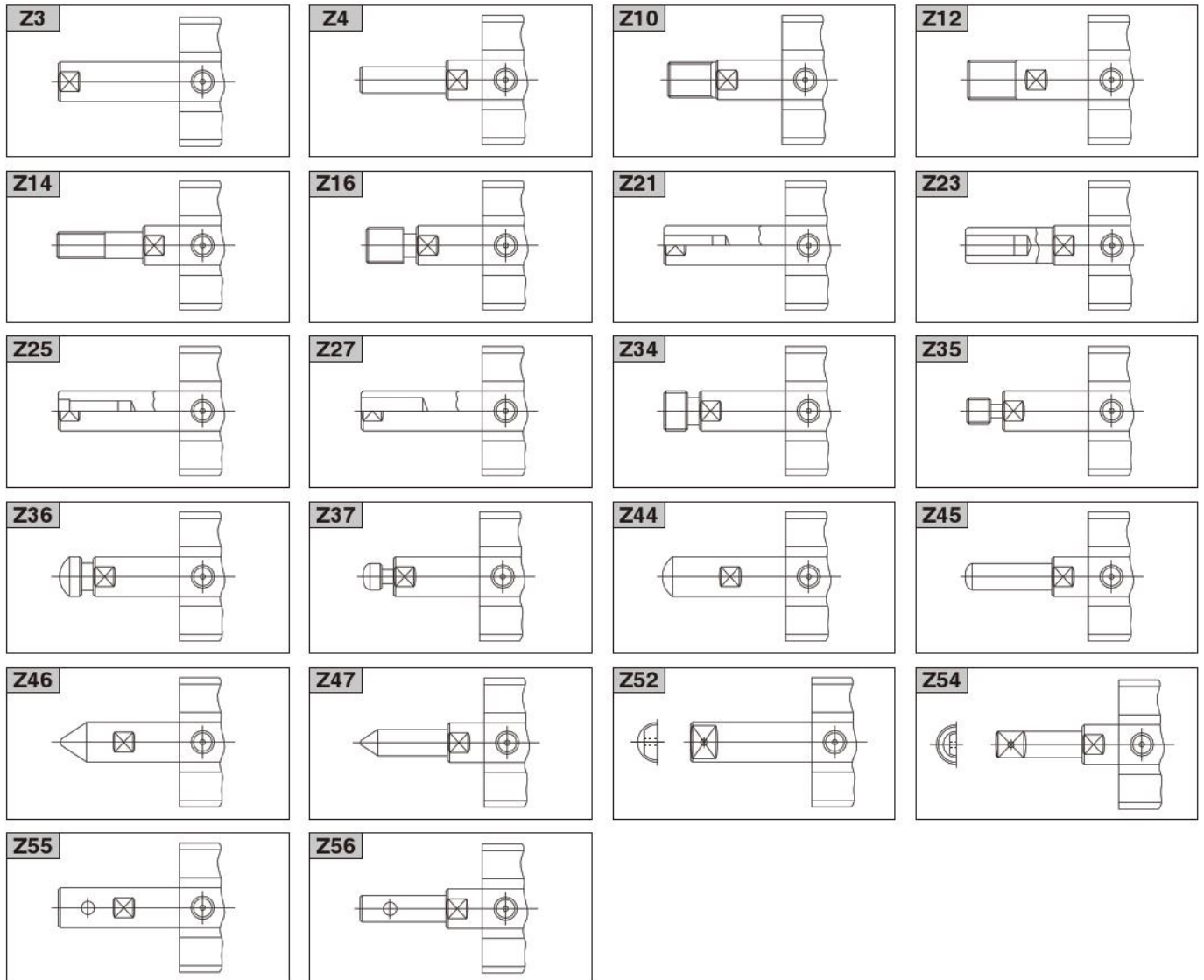
Use an order form of rod end pattern and fill the items on the selected one from among 22 types of optional patterned shapes to obtain made-to-order cylinders of non-standard rod end shapes. The optional rod end shapes can be applied to the entire Jig Cylinders C Series. For the order form containing the optional patterned shapes, contact us.

(Except  $\phi 6$ ,  $\phi 8$ ,  $\phi 10$ )

## Order Codes



## Piston Rod End Shape Pattern Diagrams (22 Types)



# MOUNTING SCREWS FOR JIG CYLINDERS



● Some types of mounting screws specifically for the Jig Cylinders are available.

Use the order codes below to place orders.

## List of Order Codes

① Mounting screw type: JIS B 1176 Hexagon socket head cap screws

② Surface treatment: Nickel plated

Applicable cylinder bore size mm [in.]	Mounting screw order code	Screw size	Number of supplied screws	
<b>6 [0.236]</b> <b>8 [0.315]</b> <b>10 [0.394]</b> <b>12 [0.472]</b> <b>16 [0.630]</b> <b>20 [0.787]</b>	CRK124	M3×25	2	
	CRK125	M3×30		
	CRK126	M3×35		
	CRK127	M3×40		
	CRK128	M3×45		
	25 [0.984] 32 [1.260]	CRK129	M3×50	4
		CRK130	M3×30	
		CRK131	M3×35	
		CRK132	M3×40	
		CRK133	M3×45	
CRK134		M3×50		
CRK135		M4×30		
CRK136		M4×35		
40 [1.575]	CRK137	M4×40	4	
	CRK138	M4×45		
	CRK139	M4×50		
	CRK140	M4×55		
	CRK141	M4×60		
	CRK142	M4×65		
	CRK143	M4×70		
	CRK144	M4×75		
	CRK145	M5×35		
	CRK146	M5×40		
	CRK147	M5×45		
	CRK148	M5×50		
	CRK149	M5×55		
	CRK150	M5×60		
50 [1.969] 63 [2.480]	CRK151	M5×65	4	
	CRK152	M5×70		
	CRK153	M5×75		
	CRK154	M5×80		
	CRK155	M5×85		
	CRK156	M5×90		
	CRK157	M5×100		
	CRK158	M5×110		
	CRK159	M6×40		
	CRK160	M6×45		
CRK161	M6×50			
CRK162	M6×55			
CRK163	M6×60			
CRK164	M6×65			
CRK165	M6×70			
CRK166	M6×75			
CRK167	M6×80			
CRK168	M6×85			
CRK169	M6×90			
CRK170	M6×100			
CRK171	M6×110			
CRK172	M6×120			
CRK173	M6×130			
CRK174	M6×140			
CRK175	M6×150			

Applicable cylinder bore size mm [in.]	Mounting screw order code	Screw size	Number of supplied screws
<b>80 [3.150]</b>	CRK176	M8×60	4
	CRK177	M8×65	
	CRK178	M8×70	
	CRK179	M8×75	
	CRK180	M8×80	
	CRK181	M8×85	
	CRK182	M8×90	
	CRK183	M8×95	
	CRK184	M8×100	
	CRK185	M8×110	
	CRK186	M8×120	
	CRK187	M8×130	
	CRK188	M8×140	
	CRK189	M8×150	
	CRK190	M8×160	
	100 [3.940]	CRK191	
CRK192		M10×65	
CRK193		M10×70	
CRK194		M10×75	
CRK195		M10×80	
CRK196		M10×85	
CRK197		M10×90	
CRK198		M10×95	
CRK199		M10×100	
CRK200		M10×110	
CRK201	M10×120		
CRK202	M10×130		
CRK203	M10×140		
CRK204	M10×150		
CRK205	M10×160		
CRK206	M10×170		