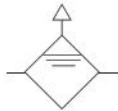


# AIR BLEEDERS

- Remove air bubbles accumulating inside the piping of a low pressure hydraulic circuit, to enable stable speed control.
- The transparent body allows quick visual confirmation of air bubble occurrence.
- Push-type air bleeder button supports simple handling.
- The bleed port is equipped with a fitting, to avoid contamination of surrounding areas.

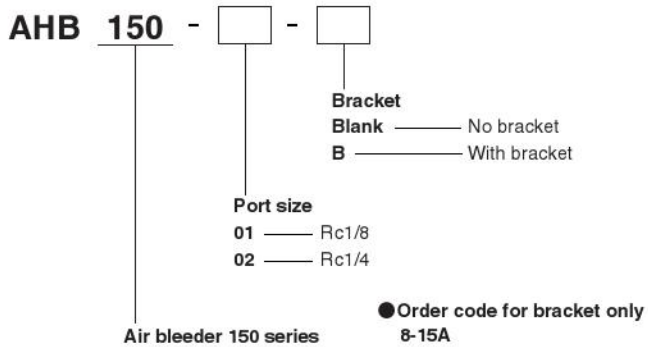
## Symbol



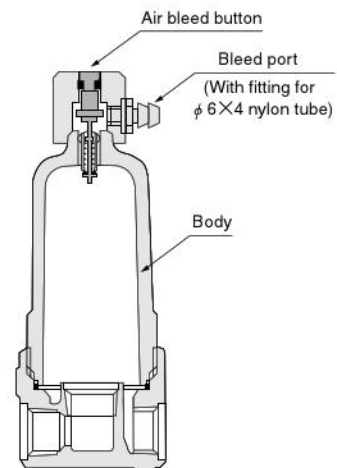
## Specifications

| Item                        | Model       | AHB150-□-□           |
|-----------------------------|-------------|----------------------|
| Maximum operating pressure  | MPa [psi.]  | 0.9 [131]            |
| Proof pressure              | MPa [psi.]  | 1.3 [189]            |
| Operating temperature range | °C [°F]     | 5~60 [41~140]        |
| Mass                        | g [oz.]     | 160 [5.64]           |
| Materials                   | Body        | Polycarbonate        |
|                             | Piping part | Aluminum die-casting |

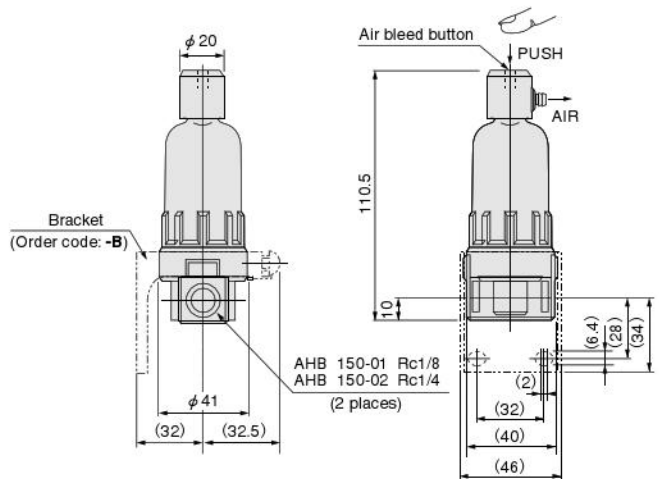
## Order Codes



## Inner Construction and Major Parts



## Dimensions (mm)



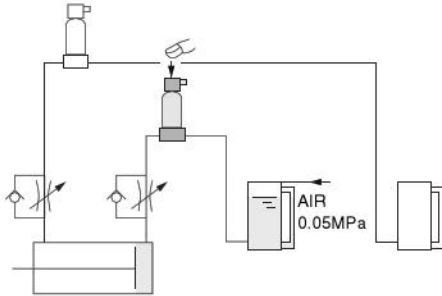
## Handling Instructions and Precautions

### ● Mounting

- Mount the air bleeder in a vertical position.
- For the most efficient air bleed operation, mount the unit either directly onto the cylinder, or at the highest position in the piping system.
- If the piping system has an area where air bubbles tend to accumulate, mount the unit at that location.

### ● Bleeding the air

- Whenever air pressure is applied to the converter, press the air bleed button to bleed out the air.



- For the oil supplied to the converter, always use the recommended hydraulic oil. For recommended hydraulic oil, see p.554.
- The air bleeder body is made of polycarbonate. Avoid use in locations where the ambient atmosphere contains organic solvents, etc.