

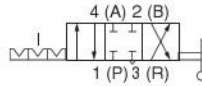
# HAND VALVES

## 400HV Series

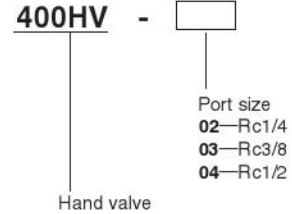
### Features

- Perfect for air cylinder switching.
- 4-port manual switching valve with slide valve structure.
- Rotary type (swing lever) for reliable switching.

### Symbol



### Order Codes

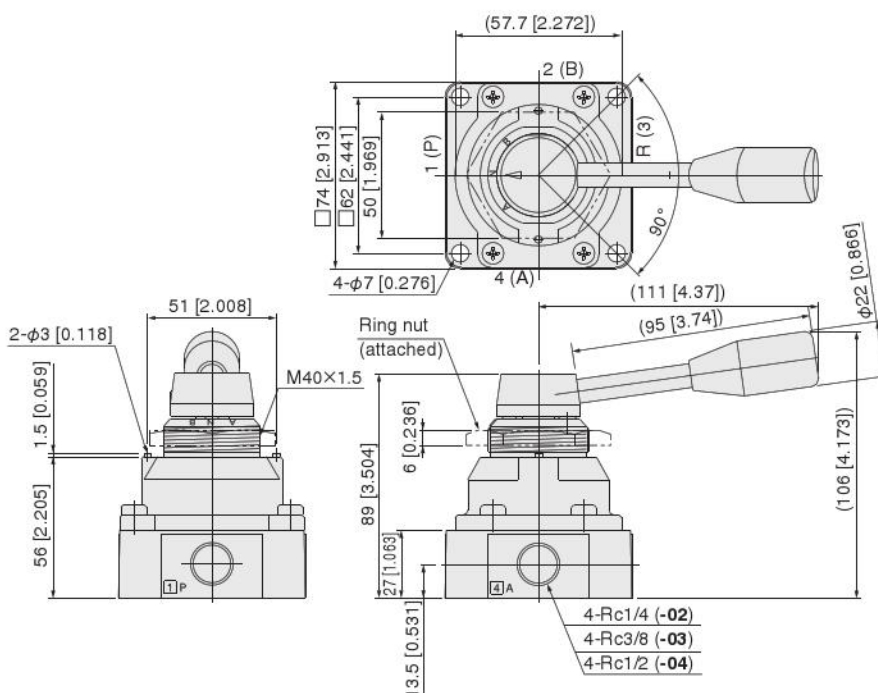


### Specifications

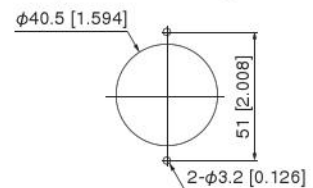
Item	Type	400HV-02	400HV-03	400HV-04
Media		Air		
Valve function		4-port, 3-position		
Operation type		Direct acting		
Volume of flow Characteristics	Sonic conductance C	5.2		
	Effective area	26 [479.700]		
Port size		Rc1/4	Rc3/8	Rc1/2
Operating pressure range	MPa [psi]	0 ~ 0.97 [0 ~ 141]		
Proof pressure	MPa [psi]	1.47 [213]		
Operating temperature range	°C [°F]	5 ~ 60 [41 ~ 140]		
Lever operation angle		90°		
Mounting direction		Any		
Mass	g [oz]	420 [14.8]		

Notes: Sonic conductance values are calculated values, and are not measured values.

### Dimensions (mm [in])

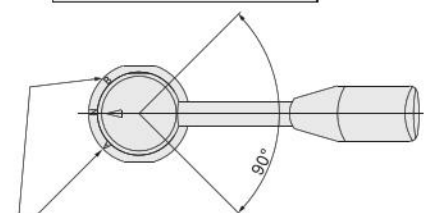


- Detailed diagram for machining panel mounting holes



Note: Mountable panel thickness is a maximum of 5 mm [0.197 in].

### Handling precautions



The flow of air when switching is indicated by the numbers printed on the end of the switch handle.

- If A: 1 (P) 4 (A)
- If B: 1 (P) 2 (B)